



Dana[®] Spicer[®]

Tandem Axles

344 • 404 • 405 • 454

Illustrated Parts List

AXIP-0200 May 1999

Visit our web site at <http://roadranger.com>.

Introduction

Models Listing	2
How to use the Illustrated Parts List	3
Model Identification	4

Single Reduction - Forward Axles

DS344 • DA404-(P) • DS404-(P) • DS405-(P) • DS454-(P) • DD404-(P) • DD454-(P)	6
--	---

Single Reduction - Rear Axles

RS344 • RA404 • RS404 • RS405 • RS454 • RD404 • RD454	16
---	----

Appendix

Forward Axle	6
Wheel Diff. Lock Assy	11
Air Lockout Parts	14
Rear Axle	16
Bearing Spacers	19
IASS Parts	20
Output Shaft & Axle Housing Parts	22
Axle Shafts	24
Axle Housing Listing	26
Gear & Pinion Kits	27
Carrier Exchange Units	28
Yokes & Flanges	30
Kits & Assemblies	31
Part Number Replacement Listing	32

The following models are represented in this publication.

Single Reduction Models

Forward Axle	Rear Axle	Axle Capacity	Gear Size
DS344	RS344	34,000 Lbs	15" Hypoid Gear
DS404-(P)	RS404	40,000 Lbs	15" Hypoid Gear
DS405-(P)	RS405	40,000 Lbs	15" Hypoid Gear
DS454-(P)	RS454	45,000 Lbs	15" Hypoid Gear

Single Reduction Models W/IASS (In-Axle Speed Sensors)

Forward Axle	Rear Axle	Axle Capacity	Gear Size
DA344	RA344	34,000 Lbs	15" Hypoid Gear
DA404-(P)	RA404	40,000 Lbs	15" Hypoid Gear
DA405-(P)	RA405	40,000 Lbs	15" Hypoid Gear
DA454-(P)	RA454	45,000 Lbs	15" Hypoid Gear

Single Reduction Models W/Wheel Differential Lock

Forward Axle	Rear Axle	Axle Capacity	Gear Size
DD404-(P)	RD404	40,000 Lbs	15" Hypoid Gear
DD405-(P)	RD405	40,000 Lbs	15" Hypoid Gear
DD454-(P)	RD454	45,000 Lbs	15" Hypoid Gear

How To Use Illustrated Parts List

Ordering Parts

- This parts book is organized in sections according to parts servicing requirements. Use the Contents or page headings and colored tabs to find information.
- Use this book to order parts for your Dana® Spicer® Axle.
- For convenience, part numbers have been included for all pieces of the carrier assembly. Some of these parts, such as the carrier and caps, are serviced only in kits or assemblies. Part numbers are for your reference only. Those parts not serviced separately are identified with NSS.

Kits and Assemblies

- Kits and Assemblies contain groups of individual or assembled parts developed for optimal replacement or repair of a service problem.
- Kits and Assemblies are shown with applicable parts groupings in the parts listing.
- See the Appendix for detailed information concerning kits applicable to this model.

Abbreviations

- **AR - As Required** - Parts that vary in quantity with each axle. Example: shims
- **NSS - Not Serviced Separately** - Items which can only be purchased in sets, kit form or service assemblies. Example: brake shoes.
- **RH/LH - Right Hand/Left Hand** - Determined as viewed from behind the vehicle looking forward.
- **"RTV" - Gasket Compound** - Formed-in-place gasket sealer. It is recommended for use on all surfaces requiring a gasket.
- **Assy - Assembly**
- **Brg - Bearing**
- **Diff - Differential**
- **Hsg - Housing**
- **Inv - Involute**
- **IASS - In Axle Speed Sensor**
- **ABS - Antilock Brake System**
- **N/A - Not Applicable**
- **Str - Straight**

Illustrations

- Illustrations show parts in assembly groups.
- Item numbers on illustrations correspond with parts listings on pages that accompany the drawings.
- Notes are included on illustrations where needed.

Parts Listings

- Parts listings are defined by parts groupings and are broken down by service assemblies.
- Parts Listings identify a part for servicing with the following categories:
 - **Item** - corresponds with numbers on illustrations for part identification
 - **Description** - specifies part name or description
 - **Quantity (Qty)** - quantity required for assembly
 - **Current Part** - service part numbers are broken down by model, type or other applicable information
 - **Notes** - define unique characteristics or replacement notes
 - **Kits / Assy's Where Used** - indicates Kits or Assemblies that contain a particular part

* *Other pertinent information is listed in tables or parts listings as required.*

Effectively using a parts listing—Example

- Follow the example below to locate and order exactly what is required for servicing.

Match to items on illustration Use to identify Part		Order this quantity for servicing	Order Part Number by Model indicated		Indicates information important to ordering or use
Item	Description	Qty	DS454-P	DD454-P	Notes
1	Axle Shaft	2	123456	789101	See Axle Shaft Chart
2	Flat Washer	4	246810	121416	

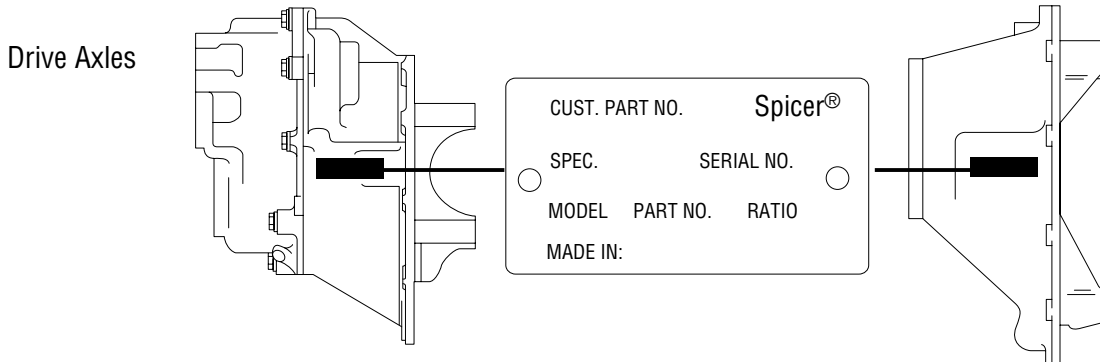
Kits And Assemblies

Oil Seal & Shim Kit	216225	Includes 29-30, 36
Basic Overhaul Kit	216221	Contents Identified with •

Model Identification

Locating Model Designation Information

- Axle Model Identification, Part Number and Serial Number are located on a tag at the axle centerline. This information will help to locate information in this book and to identify the correct parts for servicing.



- **Model Number, Part Number and Serial Number** are located on the data plate on the axle centerline

Drive Axle Assembly Tag

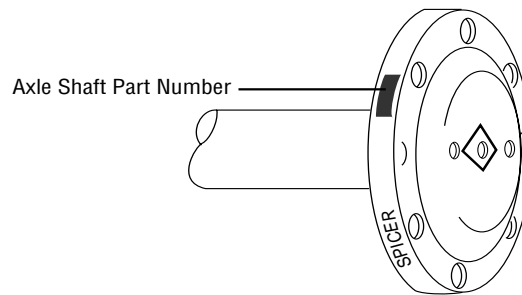
1. The OEM part number assigned to the axle build.
2. The specification number assigned to the axle build by Spicer. The spec number will identify all the component parts of the axle as built by Spicer, including special OEM requirements such as yokes or flanges.
3. The axle model identification.
4. The production or service part number of the carrier assembly.
5. The gear ratio of the axle.
6. The serial number of the carrier assembly assigned by the manufacturing plant.

Note: When inquiring about specific information on your axle, write down all of the above information from your tag and call your local OEM dealer or your Roadranger representative.

7. Country of Origin

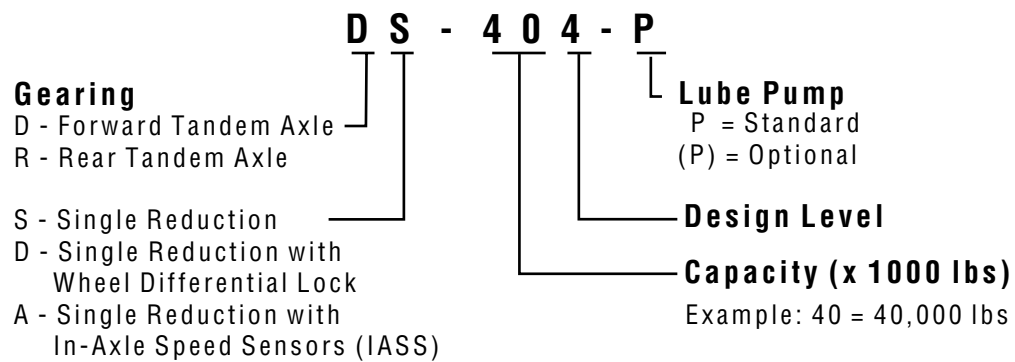
- The axles illustrated in this book are specified with a variety of different axle shafts, according to OEM specifications.
When ordering replacement axle shafts, note the part number stamped into the flange.

Model Identification

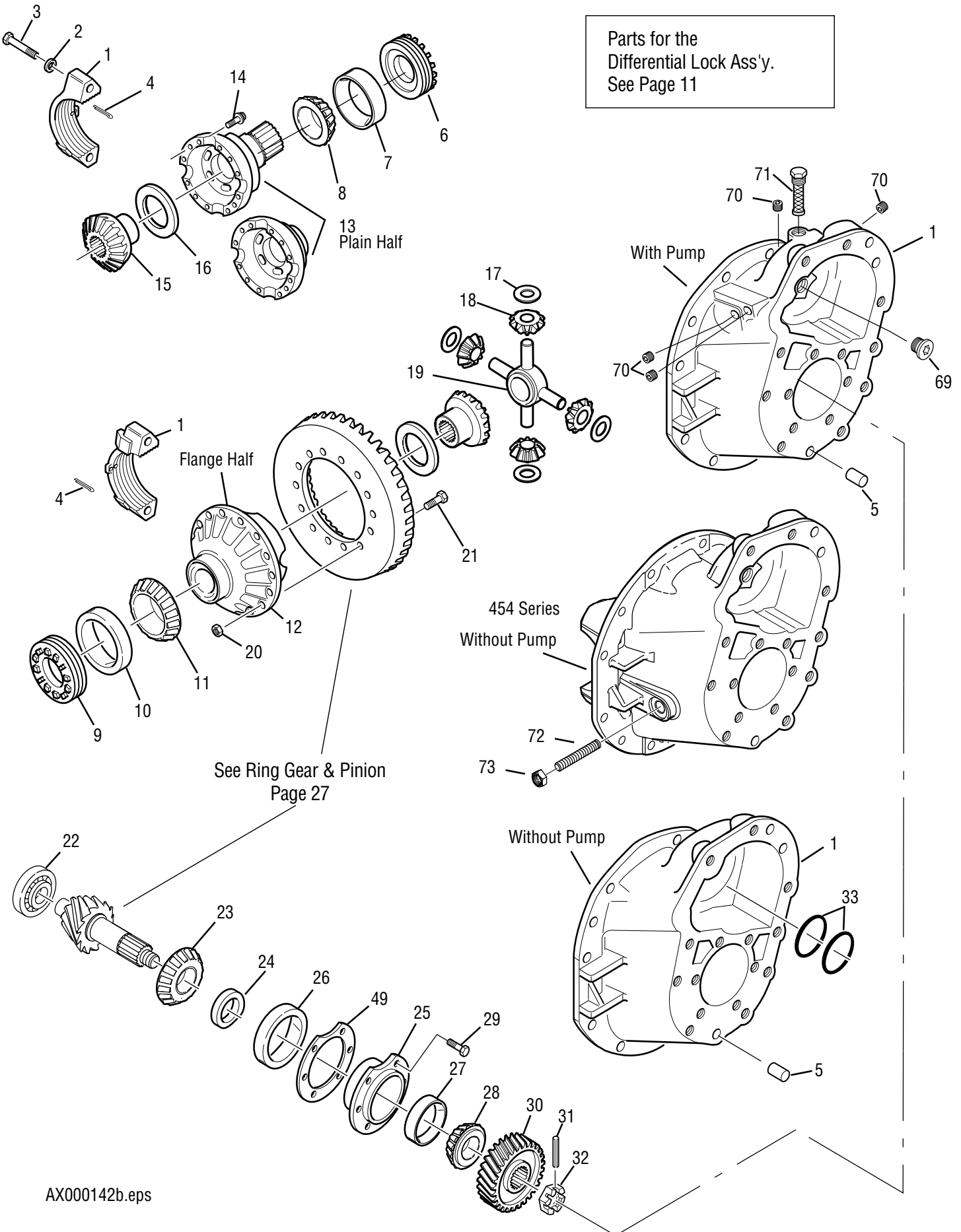


Using Model Designation to Identify Axle Components

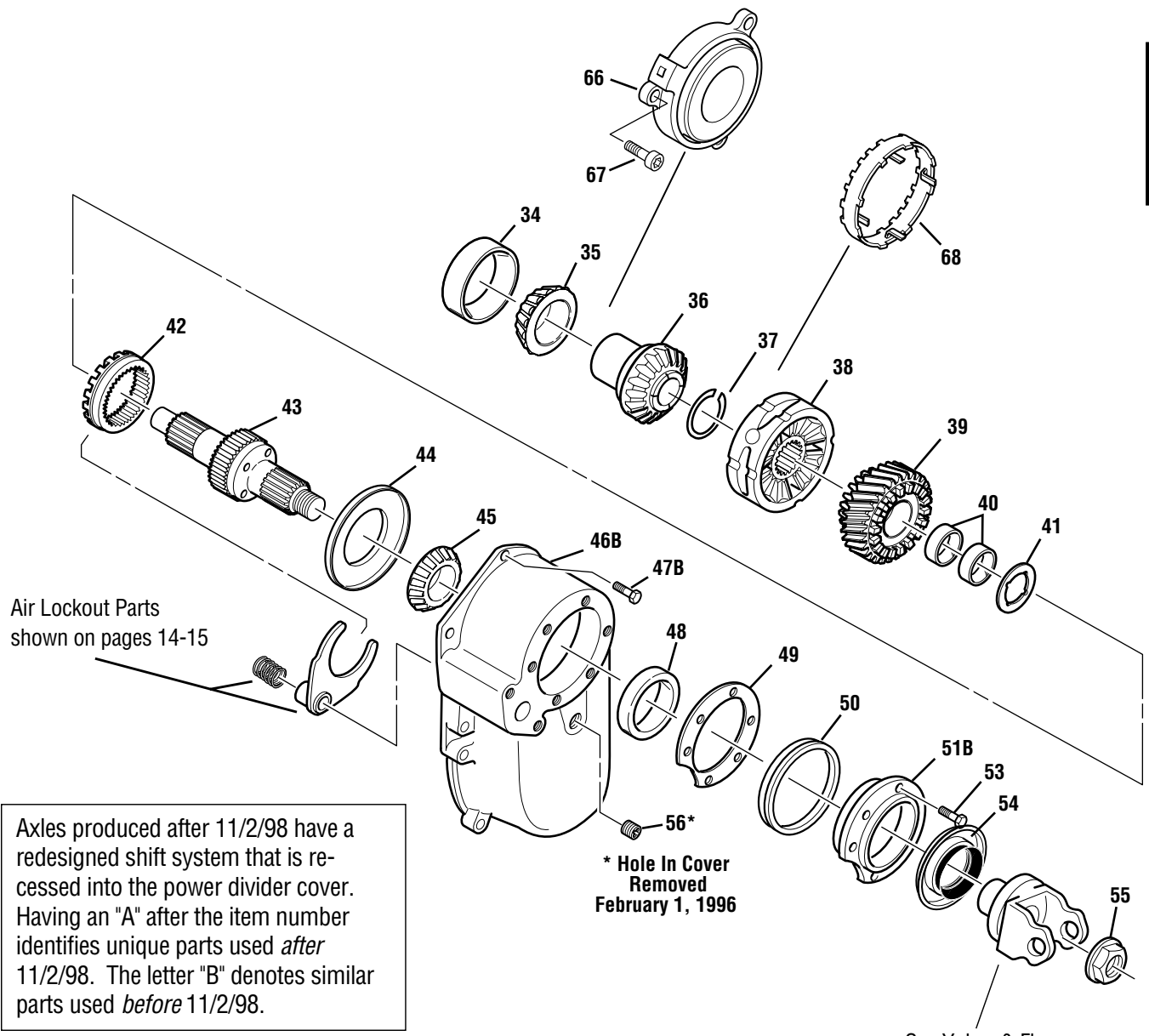
- The Axle Model Identification number contains information that is important to understand when purchasing service parts or new components. The Model Identification number provides important vehicle, capacity and application information and model features. Use this guideline to understand your Axle Model Identification. If you need assistance, contact your Roadranger representative.



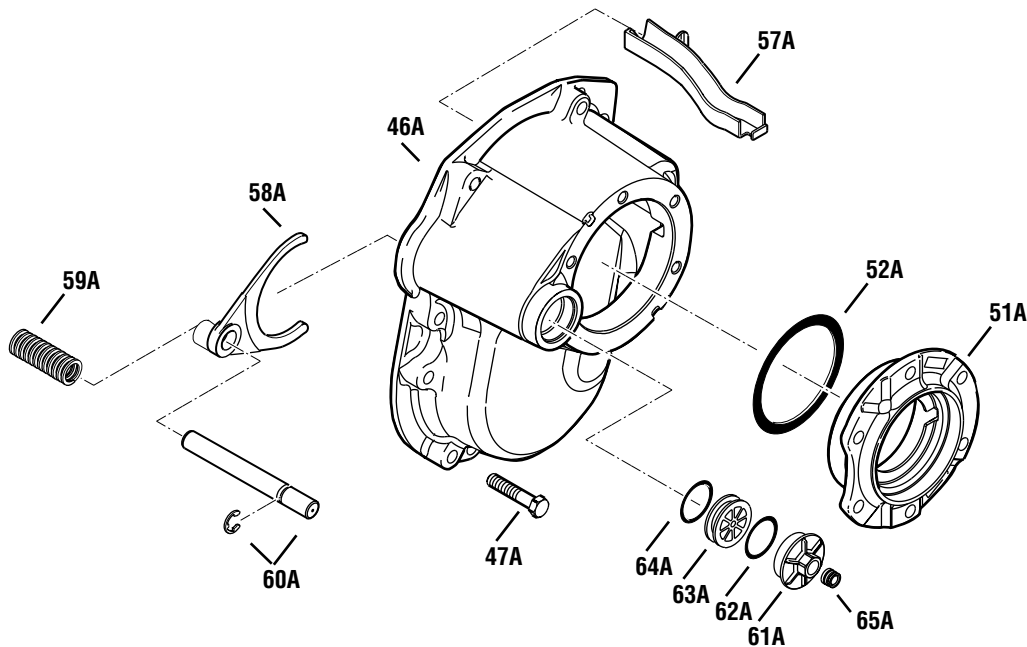
Example:
 DS = Forward Tandem/Single Reduction
 or
 RS = Rear Tandem/Single Reduction



AX000142b.eps



See Yokes & Flanges Page 30



DA344
DS344
DA404(P)
DS404(P)
DA405(P) DA454(P) DD404(P)

Item	Description	Qty	DS405(P)	DS454(P)	DD405(P)	DD454(P)	Notes
BASIC OVERHAUL KIT			216220	216220	217463	217463	Contents Identified with •
1	Diff Carr & Brg Caps Kit Includes 1-3, 5 D454(P) Models also include items 72-73	See Chart Below					
		Model Type	Part No.	Casting No.	Notes		
		DS344/404/405	510021	129539	Replaces 216222		
		DS404P/405P	510022	129551	Replaces 217360		
		DS454	510023	129540			
		DS454P	510024	129551			
		DD404/405	510025	129550	Replaces 217361		
		DD404P/405P	510026	129550	Replaces 217537		
		DD454	510027	129550			
		DD454P	510028	129550			
		DA344/404/405	510029	129539	Replaces 217536		
		DA404P/405P	510030	129551			
		DA454	510031	129540			
		DA454P	510032	129551			
2	Flat Washer	4	210288	210288	210288	210288	
3	Capscrew	4	210095	210095	210095	210095	
4	Cotter Pin	2	90873	90873	90873	90873	Replaces 126156
5	Dowel Pin	2	7641	7641	7641	7641	
6	Diff Brg Adjuster - Plain Half DA models see page 21	1 1	129130 —	129130 —	128616 —	128616 —	
7	Brg Cup - Plain Half	1	9803•	9803•	15092•	15092•	
8	Brg Cone - Plain Half	1	27813•	27813•	128604•	128604•	
9	Diff Brg Adjuster - Flange Half DA models see page 21	1	129128 —	129128 —	129128 —	129128 —	
10	Brg Cup - Flange Half	1	90943•	90943•	90943•	90943•	
11	Brg Cone - Flange Half	1	6082•	6082•	6082•	6082•	
WHEEL DIFF. CASE KITS							Includes items 12-14
12	Diff Case-RH (Flg Half)-NSS129464 NSS129465 NSS129466 NSS129467	1	508653 508654 508655 508656	508653 508654 508655 508656	508724 508725 508726 508727	508724 508725 508726 508727	Ratios 2.64 to 3.25 Ratios 3.36 to 3.90 Ratios 4.11 to 4.88 Ratios 5.29 to 6.50
13	Diff Case-LH (Plain Half)-NSS	1	127498	127498	128607	128607	Order kits listed above
14	Capscrew	12	127465	127465	128619	128619	
WHEEL DIFF SIDE GEAR KIT							Includes items 15-19
All 344 models-39 Inv			217461	—	—	—	
All other models-41 Inv			216229	216229	216229	216229	
WHEEL DIFF KIT w/o SIDE GEARS			216228	216228	216228	216228	Includes items 16-19
15	Side Gear 39 Inv spline 41 Inv spline	2	127367 127368	— 127368	— 127368	— 127368	
16	Side Gear Thrust Washer	2	127386•	127386•	127386•	127386•	

Item	Description	Qty	DA344	DA454(P)	DD404(P)	Notes	
			DS344	DS454(P)	DD405(P)		DD454(P)
			DA404(P)	DA405(P)	DA454(P)	DD404(P)	
			DS404(P)	DS405(P)	DS454(P)	DD405(P)	
17	Side Pinion Thrust Washer	4	129305•	129305•	129305•	129305•	
18	Side Pinion	4	127364	127364	127364	127364	
19	Diff Spider	1	127359	127359	127359	127359	
RING GEAR NUT & BOLT KIT			508652	508652	508652	508652	Includes items 20-21
20	Nut	16	126216	126216	126216	126216	
21	Bolt	16	129686	129686	129686	129686	Replaces 128806 See bulletin ABIB-9701
22	Pinion Pilot Brg	1	127484•	127484•	127484•	127484•	
23	Pinion Brg Cone - Inner	1	85439•	85439•	85439•	85439•	
24	Pinion Brg Spacer	AR					Pinion Bearing Spacer pg. 19
25	Pinion Brg Cage & Cup Assy Cage #127488C NSS	1	127601	127601	127601	127601	Includes item 25-27
26	Pinion Brg Cup - Inner	1	14217•	14217•	14217•	14217•	
27	Pinion Brg Cup - Outer	1	12495•	12495•	12495•	12495•	
28	Pinion Brg Cone - Outer	1	127535•	127535•	127535•	127535•	
29	Capscrew	6	210115	210115	210115	210115	
30	Pinion Helical Gear	1	127523	127523	127523	127523	
31	Roll Pin	1	118807	118807	118807	118807	
32	Slotted Pinion Nut	1	126182	126182	126182	126182	
33	Output Shaft O-Ring	2	127545•	127545•	127545•	127545•	
34	Output Shaft Brg Cup	1	127536•	127536•	127536•	127536•	
35	Output Shaft Brg Cone	1	110812•	110812•	110812•	110812•	
36	Output Shaft Side Gear	1	127645	127645	127645	127645	
37	Snap Ring	1	85997•	85997•	85997•	85997•	
38	INTER-AXLE DIFF ASSY	1	128634	128634	128634	128634	
39	Helical Side Gear & Bushing Assy Gear #127494 NSS (Incls item 40)	1	127495	127495	127495	127495	
40	Helical Gear Bushing	2	129371	129371	129371	129371	Replaces 127543
41	Helical Gear Thrust Washer	1	128702•	128702•	128702•	128702•	
42	Lockout Sliding Clutch	1	127510	127510	127510	127510	
43	INPUT SHAFT KIT / SHAFT#128704 NSS	1	216226	216226	216226	216226	Includes Items 41,43,55
44	Oil Retainer	1	128700	128700	128700	128700	
45	Input Shaft Bearing Cone	1	820643•	820643•	820643•	820643•	
46A	PDU Cover After 11/2/98	1	129572	129572	129572	129572	
46B	PDU Cover Before 11/2/98	1	127605	127605	127605	127605	
47A	Capscrew Long (after 11/2/98)	9	210091	210091	210091	210091	
47B	Capscrew Long (before 11/2/98)	5	210091	210091	210091	210091	
	Short (before 11/2/98)	4	210115	210115	210115	210115	
48	Bearing Cup	1	1008912•	1008912•	1008912•	1008912•	

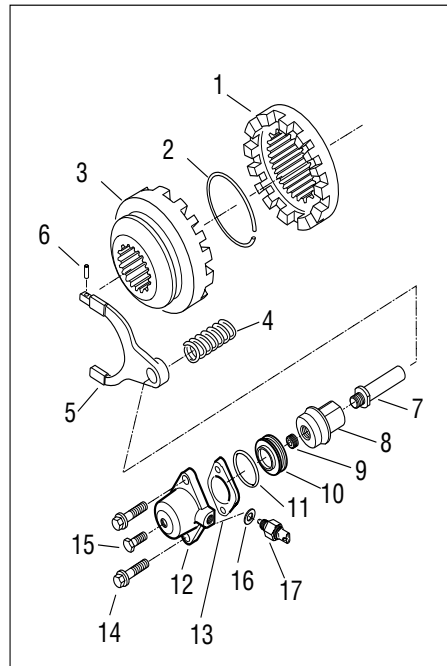
DA344						
DS344						
DA404(P)						
DS404(P)						
DA405(P) DA454(P) DD404(P)						
Item	Description	Qty	DS405(P)	DS454(P)	DD405(P)	DD454(P) Notes
	OIL SEAL & SHIM KIT	1	216224	216224	216224	216224 Includes items 49,54 & 127592 Oil Seal
49	Shim.003	AR	127595•	127595•	127595•	127595•
	Shim.005		127596•	127596•	127596•	127596•
	Shim.010		127597•	127597•	127597•	127597•
	Shim.020		127598•	127598•	127598•	127598•
	Shim.030		127599•	127599•	127599•	127599•
50	Oil Seal-V-Ring	1	128703•	128703•	128703•	128703•
51A	Input Brg Cover Assy - #129574C		129575	129575	129575	129575 After 11/2/98 Includes #48
51B	Input Brg Cover Assy - #127490C	1	127602	127602	127602	127602 Before 11/2/98 Includes #48
52A	O-Ring		129576	129576	129576	129576 After 11/2/98
53	Bearing Cover Cap Screw	6	210115	210115	210115	210115
54	Oil Seal	1	127591•	127591•	127591•	127591•
55	Locknut	1	128049	128049	128049	128049 In 216226 Kit (M42-1.5)
56	Plug	1	90325	90325	90325	90325 See Bulletin AXIB-9510
57A	Lube Trough	1	129577	129577	129577	129577
58A	Shift Fork Assy	1	129783	129783	129783	129783
59A	Compression Spring	1	129584	129584	129584	129584
60A	Push Rod Assy	1	129583	129583	129583	129583 Includes Snap Ring 129581
61A	Piston Cover Assy	1	129573	129573	129573	129573 Includes Cover #129578 & #62A
62A	O-Ring	1	129579	129579	129579	129579
63A	Piston	1	129580	129580	129580	129580
64A	O-Ring	1	210180	210180	210180	210180
65A	Shipping Plug	1	599792	599792	599792	599792
66	Lube Pump Assembly	1	127534	127534	127534	127534 Pump Models Only
67	Capscrew	3	127551	127551	127551	127551 Pump Models Only
68	Drive Coupling - Service	1	128628	128628	128628	128628 Pump Models Only
69	Poppet Valve Plug	1	19411	19411	19411	19411 Pump Models Only
70	Pipe Plug	4	90897	90897	90897	90897 Pump Models Only
71	Filter Screen Assy	1	127649	127649	127649	127649 Pump Models Only
72	Thrust Screw	1	—	126193	—	126193
73	Jam Nut	1	—	210184	—	210184
74	RTV - Sealant	1	107276•	107276•	107276•	107276•

NSS - Not Sold Separately

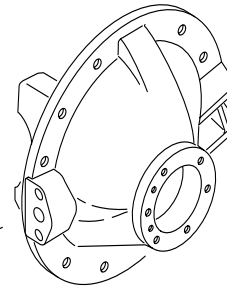
SUMMARY OF KITS AND ASSEMBLIES

Basic Overhaul Kit - DS & DA Models	216220	Contents Identified with •
Basic Overhaul Kit - DD Models	217463	Contents Identified with •
Ring Gear Nut & Bolt Kit	508652	Includes Items 20-21
Oil Seal & Shim Kit	216224	Includes 49, 54 & 127592 oil seal
Complete PDU - Non-pump	507362	DS/DD 404 Model

Wheel Differential Lock Assembly



WHEEL DIFFERENTIAL LOCK ASS'Y.



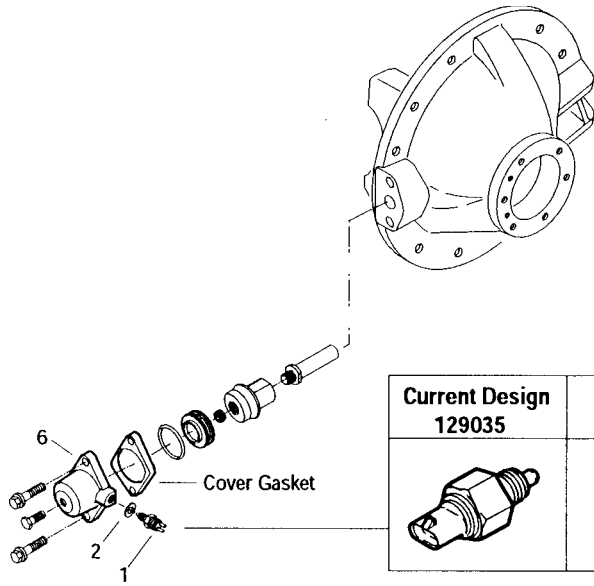
Rear carrier illustrated above.
Parts for forward carrier are identical to the rear carrier.

Wheel Diff. Lock Assy.

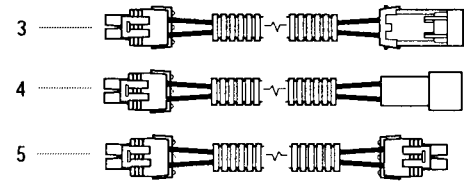
Item	Description	Qty	DD/RD404-(P) DD/RD405-(P) DD/RD454-(P)	Notes
1	Fixed Curvic Clutch Gear	1	128627	
2	Snap Ring	1	129433	Replaces 210299
3	SL Curvic Clutch Gear - 41 Inv spline	1	126840	
4	Compression Spring	1	128614	
SHIFT FORK ASSY			217465	Includes items 5-6
5	Shift Fork - 128611C NSS	1	—	
6	Spring Pin	1	210020	
7	Push Rod	1	128617	
8	Piston Driver	1	128640	
9	Set Screw	1	128618	
10	Piston	1	128624	
11	O-Ring	1	210180	
12	Piston Cover	1	—	See Pages 14/15
13	Gasket	1	128643	
14	Capscrew - Flg Head	2	128744	
15	Capscrew	1	128274	M12 x 1.5
16	Washer	1	129034	See Page 14/15
17	Switch	1	129035	See Page 14/15
18	Fitting Assy.	1	128178	Note 1 - Not Illustrated
19	Wiring Harness	1	—	See page 14/15 - Not Illustrated
20	Washer	1	210288	Note 2 - Not Illustrated

Note 1: Used in clearance sensitive applications, fitting also converts Metric threads to English threads.

Note 2: Washer used in diff. lock assembly in 3.90 ratios only.



Current Design 129035	Old Design 210280



Effective July 1, 1996, (Bulletin ABIB-9609) the diff lock selector switch is located on a new piston cover that now has a 14 mm threaded hole to accommodate the 129035 switch. The original piston covers are replaced by PISTON COVER UPGRADE KITS and the 129035 selector switch is now included with any Carrier Exchange Unit built after July 1, 1996 (date code H96183). When ordering a piston cover upgrade kit, it is important to select a kit that includes the proper wiring harness for the vehicle being repaired, reference charts below.

Item	Parts Used Before 7/1/96	Parts Used After 7/1/96	Part Description	Notes	ORDER UPGRADE KIT
1	210280 Note 1	129035	Selector Switch	Note 2	—
2	126618	129034	Nylon Washer - Black		—
3	128146 Note 1	129044	Wiring Harness	Metri-Pack 150 Series	508396
4	128445 Note 1	129046	Wiring Harness	Metri-Pack 280 Series	508291
5	128481 Note 1	129047	Wiring Harness	Weather Pack	508289
6	128641	129425	Piston Cover	Inch Thread Airline Hole	See Below
6	128612*	129424*	Piston Cover	Metric Thread Airline Hole	508290

Note 1: Part is no longer available, you must order upgrade kits.

Note 2: Exchange carrier units built after 7/1/96 are built with 129425 Piston Covers and include a new selector switch.

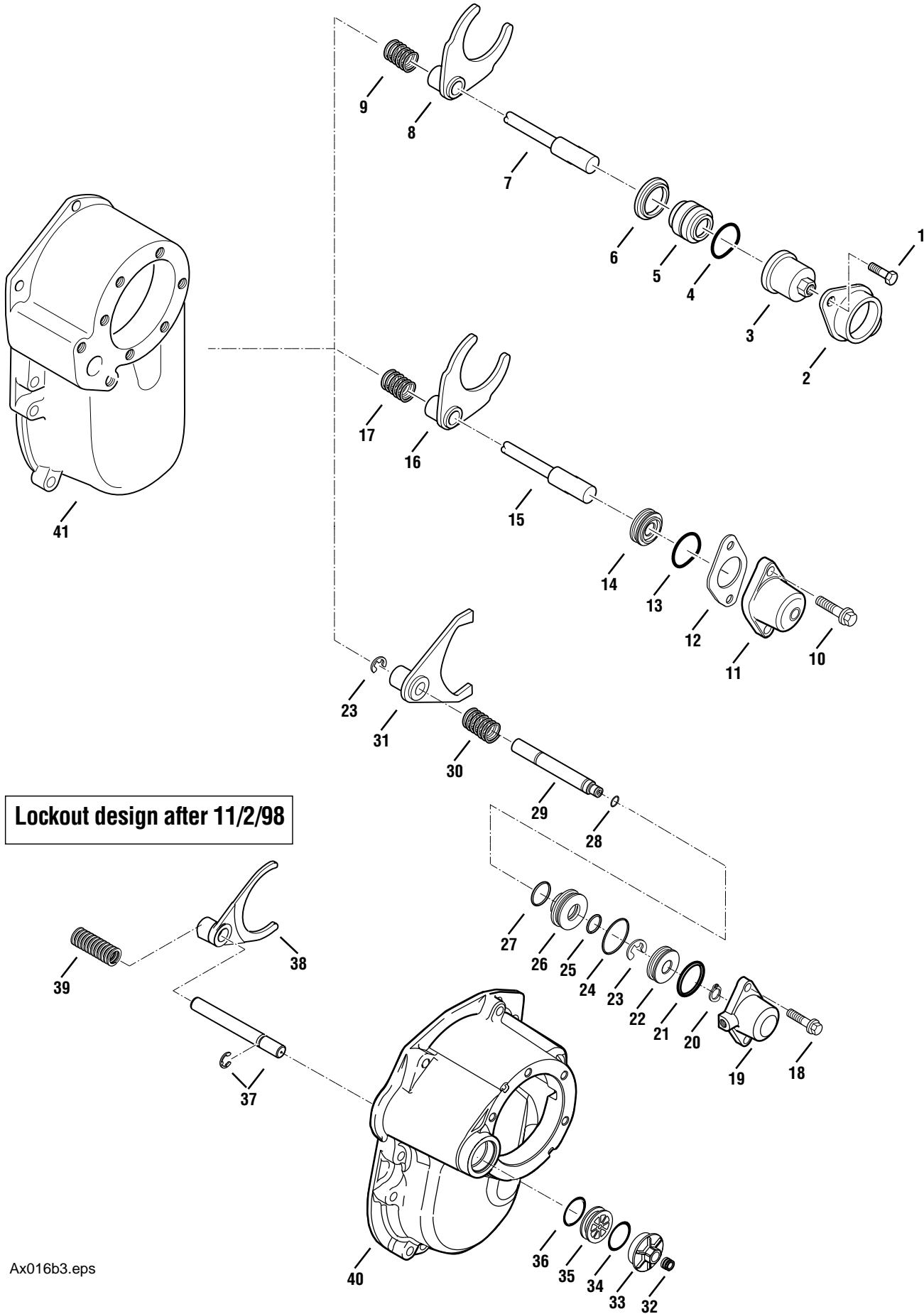
Piston Cover Upgrade Kits

Description	Kit Contents			
	508289	508290*	508291	508396
Selector Switch - 14 MM	129035	129035	129035	129035
Nylon Washer	129034	129034	129034	129034
Piston Cover*	129425	129424*	129425	129425
Wiring Harness	129047	129047	129046	129044
Cover Gasket	128643	128643	128643	128643

*Cover 129424 and 128612 have metric threaded airline hole for GMC applications.

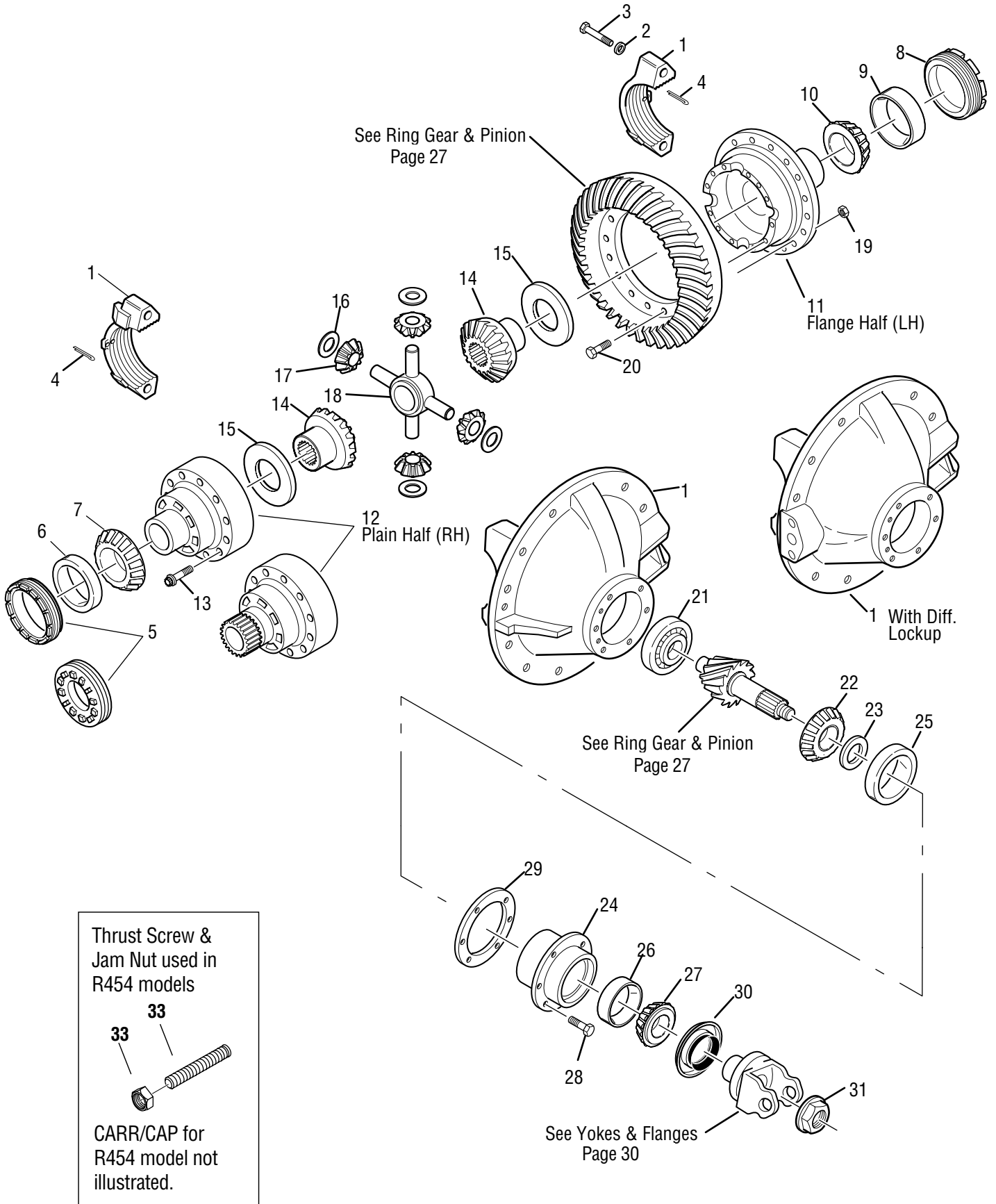
Wiring Harness Usage by OEM

OEM	Wiring Harness Part Numbers	
	Before 7/1/98	After 7/1/98
Volvo, GMC, IHC		
Kenworth, Peterbilt	128481	129047
Western Star, Freightliner		
Ford	128146	129044
Mack	128445	129046



Lockout design after 11/2/98

Item	Description	Qty	Straight Air Before 2/1/96 (Cylindrical)	Straight Air After 2/1/96 (Cast Iron)	Navistar Rev Air	Straight Air After 11/2/98	Notes
1	Capscrew	2	210381				
2	Mounting Bracket	1	NLA				Order: 507494
3	Piston Housing	1	NLA				Order: 507494
4	O-Ring	1	210180				
5	Piston	1	NLA				Order: 507494
6	Shoulder Washer	1	NLA				Order: 507494
7	Push Rod	1	127477				
8	Shift Fork Assy	1	129783				Replaces 127506
9	Compression Spring	1	127474				
10	Capscrew	2		128744			
11	Piston Housing	1		129005			
12	Gasket	1		128643			
13	O-Ring	1		210180			
14	Piston	1		129290			
15	Push Rod	1		127477			
16	Shift Fork Assy	1		129783			Replaces 127506
17	Compression Spring	1		127474			
18	Capscrew	1			128744		
19	Piston Housing	1			128733		
20	Snap Ring	1			128734		
21	O-Ring	1			210180		
22	Piston	1			128724		
23	Snap Ring	2			128725		
24	O-Ring	1			128728		
25	O-Ring	1			128729		
26	Pilot Plate	1			128726		
27	O-Ring	1			128727		
28	O-Ring	1			128331		
29	Push Rod	1			128730		
30	Compression Spring	1			128731		
31	Shift Fork Assy	1			127506		
32	Plastic Shipping Plug	1				599792	
33	Piston Cover Assy	1				129573	Cover 129578, Includes 34
34	O-Ring	1				129579	
35	Piston	1				129580	
36	O-Ring	1				210180	
37	Push Rod Assy	1				129583	Includes S/R 129581
38	Shift Fork Assy	1				129783	
39	Compression Spring	1				129584	
40	PDU Cover - New Design	1				129572	After 11/2/98
41	PDU Cover - Original Design	1	127605	127605	127605		Before 11/2/98
KITS							
	Air L/O Kit w/o Shift Fork			507494			Includes: 10-14
	Air L/O Kit - Complete			508121			Includes: 10-17
	Repair Kit			507709			Includes: 12-14
	Air L/O Kit - w/o Shift Fork				216048		Includes: 18-30
	Air L/O Kit - Complete				128735		Includes: 18-31
	Air L/O Kit - Complete					510052	Includes: 32-39
	Repair Kit					510053	Includes: 33-36



Item	Description	Qty	RA344	RS344	RA404	RS404	RA405	RA454	RD404	RD454	Notes																												
			RS405	RS454	RD405	RD454																																	
BASIC OVERHAUL KIT			216221	216221	217464	217464	Contents Identified with •																																
1	Diff Carr & Brg Caps Kit	See Chart Below																																					
			<table border="1"> <thead> <tr> <th>Model Type</th> <th>Part No.</th> <th>Casting No.</th> <th>Notes</th> </tr> </thead> <tbody> <tr> <td>RS344/404/405</td> <td>216223</td> <td>129351C</td> <td>Includes 1-3</td> </tr> <tr> <td>RA344/404/405</td> <td>510020</td> <td>129351C</td> <td>Includes 1-3</td> </tr> <tr> <td>RD404/405</td> <td>217362</td> <td>128600C</td> <td>Includes 1-3</td> </tr> <tr> <td>RD454</td> <td>510017</td> <td>128600C</td> <td>Includes 1-3, 32-33</td> </tr> <tr> <td>RS454</td> <td>510018</td> <td>129541C</td> <td>Includes 1-3, 32-33</td> </tr> <tr> <td>RA454</td> <td>510019</td> <td>129541C</td> <td>Includes 1-3, 32-33</td> </tr> </tbody> </table>									Model Type	Part No.	Casting No.	Notes	RS344/404/405	216223	129351C	Includes 1-3	RA344/404/405	510020	129351C	Includes 1-3	RD404/405	217362	128600C	Includes 1-3	RD454	510017	128600C	Includes 1-3, 32-33	RS454	510018	129541C	Includes 1-3, 32-33	RA454	510019	129541C	Includes 1-3, 32-33
Model Type	Part No.	Casting No.	Notes																																				
RS344/404/405	216223	129351C	Includes 1-3																																				
RA344/404/405	510020	129351C	Includes 1-3																																				
RD404/405	217362	128600C	Includes 1-3																																				
RD454	510017	128600C	Includes 1-3, 32-33																																				
RS454	510018	129541C	Includes 1-3, 32-33																																				
RA454	510019	129541C	Includes 1-3, 32-33																																				
2	Flat Washer	4	210288	210288	210288	210288																																	
3	Capscrew	4	210095	210095	210095	210095																																	
4	Cotter Pin	2	90873	90873	90873	90873	Replaces 126156																																
5	Diff Brg Adjuster - Plain Half	1	129130	129130	128616	128616																																	
	RA models see page 21		—	—	—	—																																	
6	Bearing Cup - Plain Half	1	9803•	9803•	15092•	15092•																																	
7	Bearing Cone - Plain Half	1	27813•	27813•	128604•	128604•																																	
8	Diff Brg Adjuster - Flange Half	1	129128	129128	129128	129128	Replaces 127410																																
	RA models see page 21		—	—	—	—																																	
9	Bearing Cup - Flange Half	1	90943•	90943•	90943•	90943•																																	
10	Bearing Cone - Flange Half	1	6082•	6082•	6082•	6082•																																	
WHEEL DIFF. CASE KITS			Includes items 11-13																																				
11	Diff Case-LH (Flg Half)-NSS129464	1	508653	508653	508724	508724	Ratios 2.64 to 3.25																																
	Diff Case-LH (Flg Half)-NSS129465		508654	508654	508725	508725	Ratios 3.36 to 3.90																																
	Diff Case-LH (Flg Half)-NSS129466		508655	508655	508726	508726	Ratios 4.11 to 4.88																																
	Diff Case-LH (Flg Half)-NSS129467		508656	508656	508727	508727	Ratios 5.29 to 6.50																																
12	Diff Case-RH(Plain Half)-NSS	1	127498	127498	128607	128607	Order kits listed above																																
13	Capscrew	12	127465	127465	128619	128619																																	
WHEEL DIFF SIDE GEAR KIT			Includes items 14-18																																				
	All 344 models - 39 Inv		217461	—	—	—																																	
	All other models - 41 Inv		216229	216229	216229	216229																																	
WHEEL DIFF KIT w/o SIDE GEARS			Includes items 15-18																																				
14	<u>Side Gear</u>																																						
	39 Inv spline	2	127367	—	—	—																																	
	41 Inv spline		127368	127368	127368	127368																																	
15	Side Gear Thrust Washer	2	127386•	127386•	127386•	127386•																																	
16	Side Pinion Thrust Washer	4	129305•	129305•	129305•	129305•	Replaces 127369																																
17	Side Pinion	4	127364	127364	127364	127364																																	
18	Diff Spider	1	127359	127359	127359	127359																																	

		RA344		RA404			
		RS344		RS404			
		RA405	RA454	RD404			
Item	Description	Qty	RS405	RS454	RD405	RD454	Notes
RING GEAR NUT & BOLT KIT							
19	Nut	16	508652 126216	508652 126216	508652 126216	508652 126216	Includes items 19-20
20	Bolt	16	129686	129686	129686	129686	Replaces 128806 See bulletin ABIB-9701
21	Pinion Pilot Brg	1	127485•	127485•	127485•	127485•	Pinion Bearing Spacer pg. 19
22	Pinion Brg Cone - Inner	1	14218•	14218•	14218•	14218•	
23	Pinion Brg Spacer	AR					
24	Pinion Brg Cage & Cup Assy Cage #127481C NSS	1	127600	127600	127600	127600	Includes items 24-26
25	Pinion Brg Cup - Inner	1	14217•	14217•	14217•	14217•	
26	Pinion Brg Cup - Outer	1	12495•	12495•	12495•	12495•	
27	Pinion Brg Cone - Outer	1	12496•	12496•	12496•	12496•	
28	Capscrew	6	210115	210115	210115	210115	
OIL SEAL & SHIM KIT							
29	Shim.003	AR	216225 127595•	216225 127595•	216225 127595•	216225 127595•	Includes items 29-30, 34
	Shim.005		127596•	127596•	127596•	127596•	
	Shim.010		127597•	127597•	127597•	127597•	
	Shim.020		127598•	127598•	127598•	127598•	
	Shim.030		127599•	127599•	127599•	127599•	
30	Oil Seal	1	127591•	127591•	127591•	127591•	
31	Pinion Nut	1	127589	127589	127589	127589	M36 x 1.5
32	Thrust Screw	1	—	126193	—	126193	
33	Jam Nut	1	—	210184	—	210184	
34	RTV - Sealant	1	107276•	107276•	107276•	107276•	Not Illustrated

NSS - Not Sold Separately

SUMMARY OF KITS AND ASSEMBLIES

Basic Overhaul Kit - RS & RA Models	216221	Contents Identified with •
Basic Overhaul Kit - RD Models	217464	Contents Identified with •
Ring Gear Nut & Bolt Kit	508652	Includes Items 19-20
Oil Seal & Shim Kit	216225	Includes 29-30, 34

Effective March 1 1995, Dana Spicer D344/404/405/454 series axles were built with a thicker variable pinion spacer different from the original design, axles built before this date used a "two" washer setup. This "two" washer setup is comprised of a spacer washer (127565) and a variable pinion bearing spacer (part number by thickness).

When servicing the above models, select a variable pinion bearing spacer from the list below to attain the correct pinion bearing preload. All procedures on "Pinion Bearing Preload" remain the same and the proper steps should be followed according to your Dana Spicer Service Manual. **If you have an existing 127565 spacer washer, do not use it with the new variable pinion bearing spacers listed below.**

Spacer washer 127565 is no longer available and has been removed from basic overhaul kits 216220 & 217463. The new variable pinion bearing spacers listed below are sold separately.

D344/404(P)/405(P)/454(P)

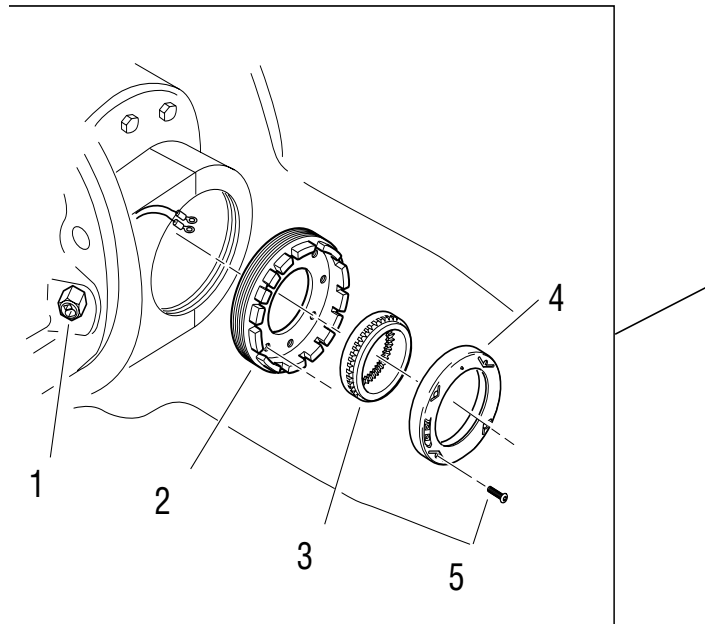
New Spacers	Spacer Thickness
129079	0.797
129080	0.798
129081	0.800
129082	0.801
129083	0.802
129084	0.803
129085	0.804
129086	0.806
129087	0.807
129088	0.808
129089	0.809★
129090	0.810★
129091	0.811★
129093	0.812★
129097	0.814★
129099	0.815★
129101	0.816★
129103	0.817★
129105	0.818★
129107	0.819★
129109	0.820★
129111	0.821
129113	0.822
129115	0.823
129117	0.824
129119	0.825
129120	0.826
129121	0.828
129122	0.829
129123	0.830
129124	0.831
129125	0.832
129126	0.833

★ Most popular

R344/404/405/454

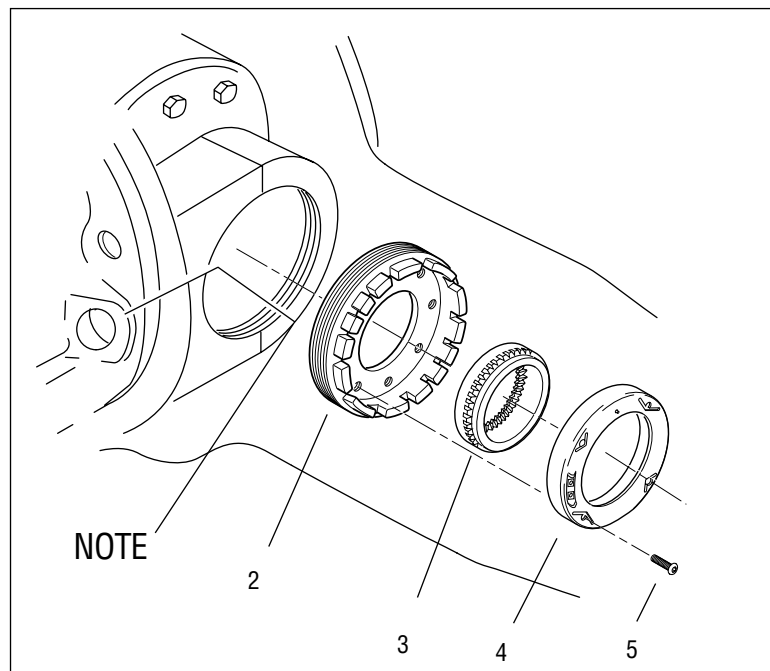
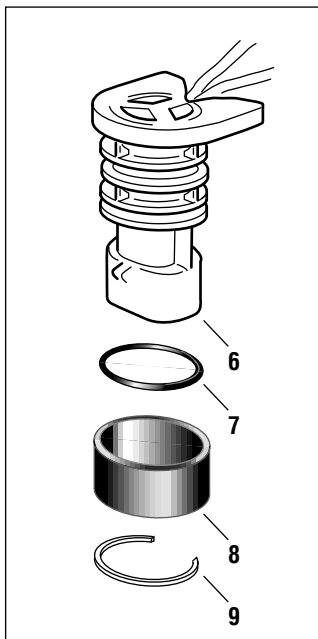
Bearing Spacers Part Number	Spacer Thickness
91553	.624
91554	.625
91555	.626
91556	.627
91557	.628
91558	.629
91559	.630
91560	.631
91561	.632
91562	.633
91564	.634★
91566	.635★
91568	.636★
91572	.637★
91576	.638★
91580	.639★
91584	.640★
91588	.641★
91592	.642★
91596	.643★
91600	.644★
91602	.645
91604	.646
91606	.647
91608	.648
91610	.649
91611	.650
91612	.651
91613	.652
91614	.653
91615	.654

In Axle Speed Sensor Before 11/2/98



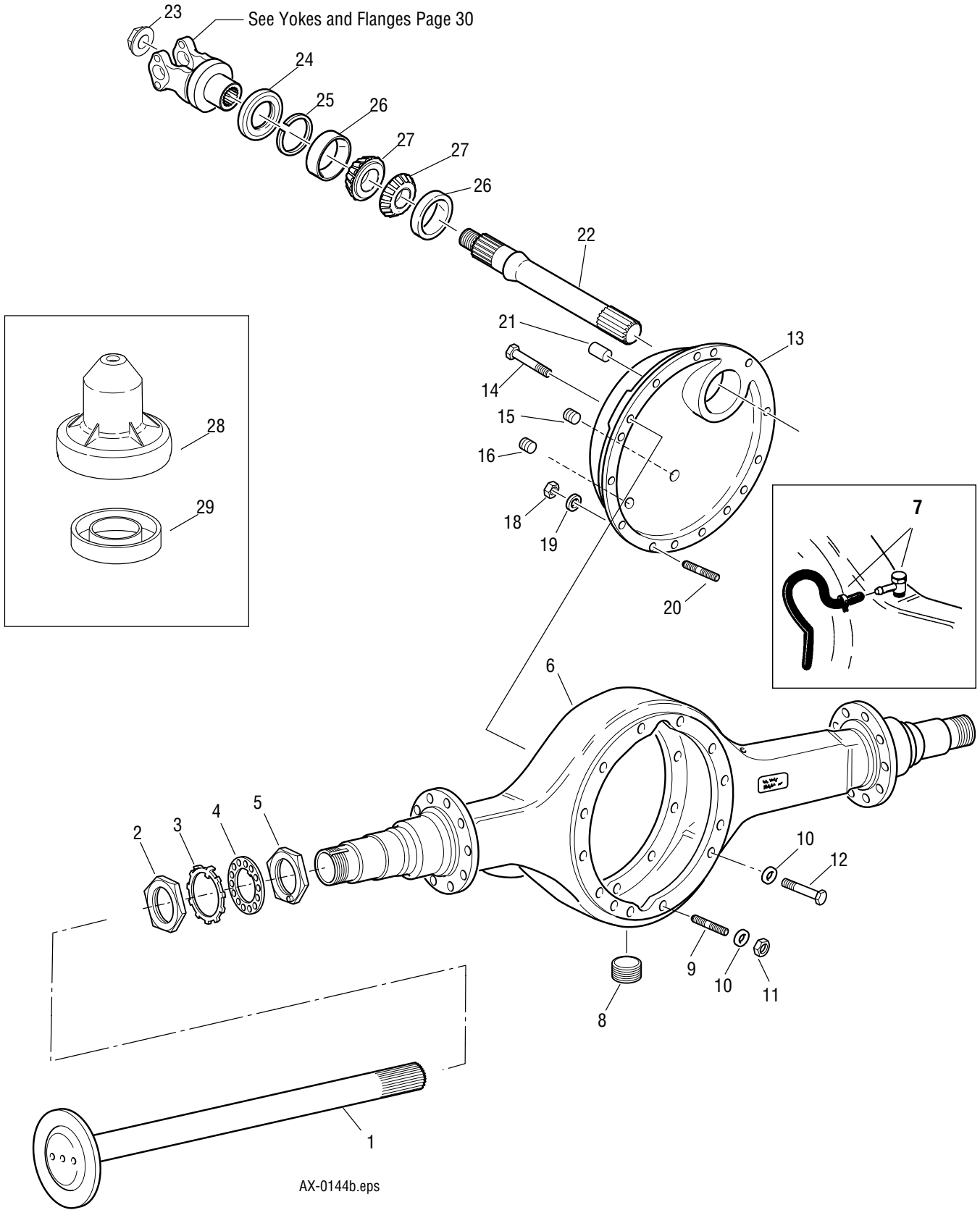
IN

In Axle Speed Sensor After 11/2/98



NOTE: Sensor connector installed up through carrier hole, reference bulletin ABIB-9901.

Item	Description	Qty	DA344	RA344	DA344	RA344	Notes
			(Before 11-2-98)	(Before 11-2-98)	(After 11-2-98)	(After 11-2-98)	
1	Sensor Connector	2	128713	128713	—	—	
2	DIFF BEARING ADJUSTERS						
	Plain Half - 344 series	1	129056	129056	129056	129056	
	Flange Half - 344 series	1	129055	129055	129055	129055	
	Plain Half - 404/405/454	1	128429	128429	128429	128429	
	Flange Half - 404/405/454	1	128428	128428	128428	128428	
3	ROTOR ASSEMBLY						
	41 spline	2	128081	128081	128081	128081	All models except D/R344 D/R344 models only
	39 spline	2	128993	128993	128993	128993	
4	Sensor Assembly	2	128082	128082	128082	128082	
5	Fasteners	4	128074	128074	128074	128074	
6	Sensor Connector Assy	2	—	—	129061	129061	Includes Item 7
7	O-ring	2	—	—	14033	14033	
8	Bushing Sleeve	2	—	—	129059	129059	
9	Snap Ring	2	—	—	129057	129057	



Item	Description	Qty	Part No.	Notes
1	Axle Shaft	2		Axle Shaft Chart Pg. 24-25
2	Outer Bearing Adjuster Nut	2	119881	All models
3	Lockwasher - w/Tab	2	129132	
4	Dowel-Type Lockwasher	2	119883	All models
5	Inner Bearing Adjuster Nut	2	119882	All models
6	Axle Housing Assy	1	Note: See pg. 26	See your OEM Catalog
7	U-Tube Breather Kit	1	507162	
8	Magnetic Drain Plug - 3/4"	1	54254	All D/R models
9	Stud - Carrier to Hsg	4	127641	All D/R models
10	Washer - Carrier to Hsg	12	29804	All D models
10A	Washer - Carrier to Hsg	4	90422	All R models
11	Nut - Carrier to Hsg	4	127567	All R models
12	Capscrew - Carrier to Hsg	8	210173	All D/R models (was 127590) M16 X 2.0
13	AXLE HSG COVER KIT Cover casting #127486C NSS Note: See Page 26	1	217519	Includes 17, 26-32 Replaces 129490/127487/129489/129037 Ref: Bulletin ABIB-9709
14	Capscrew - Hsg Cover to Hsg	8	210135	M12 x 1.75
15	Magnetic Plug - 1"	1	75130	See Bulletin ABIB-9709
15	Non-Magnetic Plug 3/4"	1	129492	See Bulletin ABIB-9709
15	Magnetic Plug - 3/4"	1	129491	See Bulletin ABIB-9709
16	Temperature Sensor Plug 1/2"	1	90898	
17	Lube Tag (for 3/4" Plug)	1	129486	See Bulletin ABIB-9709, Part - Not Illustrated
17	Lube Tag (for 1" Plug)	1	128288	See Bulletin ABIB-9709, Part - Not Illustrated
18	Nut - Hsg Cover to Hsg	4	127569	All Forward Axles
19	Lockwasher - Hsg Cover to Hsg	12	210140	All Forward Axles
20	Stud - Hsg Cover	4	127568	All Forward Axles
21	Dowel Pin - Hsg Cover	1	7641	All Forward Axles
	OUTPUT SHAFT KIT	1	216227	Includes Items 22-23
22	Output Shaft - #127646 NSS			
23	Locknut - Hex	1	127588	M39 x 1.5
24	Oil Seal	1	127592•	
25	Snap Ring .103	1	129594•	Replaces 127538
	Optimal S/R - .109	1	127537•	
26	Bearing Cup	2	127539•	
27	Bearing Cone	2	127540•	
28	Seal Driver	1	126917	In Kit 217414
29	Adapter	1	128706	In Kit 217414
30	Loctite Adhesive	1	129293	Not Illustrated, .5 ml Tube
31	RTV - Sealant	1	107276	Not Illustrated, 3 oz. Tube

NSS - Not Sold Separately

SUMMARY OF KITS AND ASSEMBLIES

Axle Hsg Hardware Kit - Capscrews	510184	Includes Items 9-12, 30
Axle Hsg Hardware Kit - Studs	509952	Includes (12 each of items 9, 10, 11), 30
Basic Overhaul Kit - DD Models	217463	Contents Identified with •
Basic Overhaul Kit - DS or DA Models	216220	Contents Identified with •
Oil Seal Driver Installation Kit	217414	Reference page 31
Output Shaft Kit	216227	Includes Items 22-23
D - Hsg Cover Hardware Kit	510185	Includes Items 14, 18-21, 30-31

Axle Shafts

Eaton 404 series axle shafts are used in "sets", have unequal shaft lengths and may be "location specific" or "Wheel Equipment specific". When replacing 404 axle shafts, locate the axle shaft part number (see Model Identification pg 4) or select the correct axle shaft from the chart below, before placing your order.

DO NOT MISPLACE AXLE SHAFTS FROM THEIR INTENDED LOCATION.

Axle Shafts - Single Reduction Models

Model	Part No.	Qty	Spline	Body O.D.	Shaft Length	Spline Length	Flange O.D.	Flange Holes	OEM
RS344	129010	1	39	1.81	38.500	4"	6.125	12(.748) TPR	2
	129011	1	39	1.81	42.750	4"	6.125	12(.748) TPR	2
DS404	127437	1	41	1.87	38.976	4"	8.500	8(.635) STR	6,5,3
	127438	1	41	1.87	43.307	4"	8.500	8(.635) STR	6,5,3
RS404	128514	1	41	1.87	38.130	4"	8.500	8(.773) STR	7,10
DS404	128515	1	41	1.87	42.460	4"	8.500	8(.773) STR	7,10
DS454	128516	1	41	1.87	38.976	4"	8.500	8(.948) TPR	2,4,7,9
RS454	128517	1	41	1.87	43.307	4"	8.500	8(.948) TPR	2,4,7,9
	128521	1	41	1.87	38.130	4"	8.500	8(.948) TPR	1
	128522	1	41	1.87	42.460	4"	8.500	8(.948) TPR	1

- 1 = Ford
- 2 = GMC
- 3 = Freightliner
- 4 = Mack
- 5 = Peterbilt
- 6 = Kenworth
- 7 = Volvo White
- 8 = Marmon
- 9 = Western Star
- 10 = Navistar

Axle Shafts - Diff Lock Models

Model	Part No.	Qty	Spline	Body O.D.	Shaft Length	Spline Length	Flange O.D.	Flange Holes	OEM
DD404	127437	1	41	1.87	38.976	4"	8.500	8(.635) STR	3,5,6
	128435	1	41	1.87	43.307	11"	8.500	8(.635) STR	3,5,6
	128514	1	41	1.87	38.130	4"	8.500	8(.773) STR	7,10
RD404	128559	1	41	1.87	42.460	11"	8.500	8(.773) STR	7,10
RD404	128516	1	41	1.87	38.976	4"	8.500	8(.948) TPR	2,4,7,9
DD454	128561	1	41	1.87	43.307	11"	8.500	8(.948) TPR	2,4,7,9
RD454	128521	1	41	1.87	38.130	4"	8.500	8(.948) TPR	1
	128563	1	41	1.87	42.460	11"	8.500	8(.948) TPR	1
	129432	1	41	1.87	43.380	11"	8.500	8(.773) STR	7
	129434	1	41	1.87	38.976	4"	8.500	8(.773) STR	7

Axle Shafts - Models having IASS (In Axle Speed Sensors) for ABS

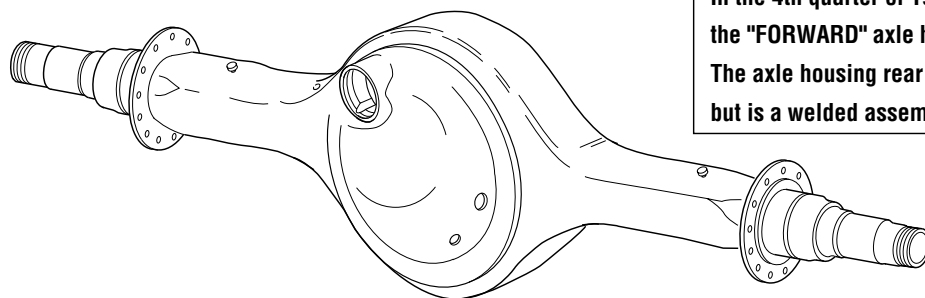
Model	Part No.	Qty	Spline	Body O.D.	Shaft Length	Spline Length	Flange O.D.	Flange Holes	OEM
RA344	129052	1	39	1.81	38.500	11"	6.125	12(.748) TPR	2
	129053	1	39	1.81	42.750	11"	6.125	12(.748) TPR	2
	128434	1	41	1.87	38.976	11"	8.500	8(.635) STR	6,5,3
	128435	1	41	1.87	43.307	11"	8.500	8(.635) STR	6,5,3
DA404	128558	1	41	1.87	38.130	11"	8.500	8(.773) STR	7,10
RA404	128559	1	41	1.87	42.460	11"	8.500	8(.773) STR	7,10
DA454	128560	1	41	1.87	38.976	11"	8.500	8(.948) TPR	2,4,7,9
RA454	128561	1	41	1.87	43.307	11"	8.500	8(.948) TPR	2,4,7,9
	128562	1	41	1.87	38.130	11"	8.500	8(.948) TPR	1
	128563	1	41	1.87	42.460	11"	8.500	8(.948) TPR	1

- 1 = Ford
- 2 = GMC
- 3 = Freightliner
- 4 = Mack
- 5 = Peterbilt
- 6 = Kenworth
- 7 = Volvo White
- 8 = Marmon
- 9 = Western Star
- 10 = Navistar

STR - Straight TPR - Tapered

Axle Shafts - Wide Track Models

Model	Part No.	Qty	Spline	Body O.D.	Shaft Length	Spline Length	Flange O.D.	Flange Holes	OEM
DS404	129388	1	41	1.87	43.887	4"	8.500	8(.773) STR	7
	129434	1	41	1.87	38.976	4"	8.500	8(.773) STR	7
RS404	129306	1	41	1.87	45.500	4"	8.500	8(.635) STR	9
DS454	128243	1	41	1.87	40.630	4"	8.500	8(.635) STR	9
RS454	128914	1	41	1.87	45.500	4"	8.500	8(.773) STR	7
	128912	1	41	1.87	41.313	4"	8.500	8(.773) STR	7
	128910	1	41	1.87	42.460	4"	8.500	8(.635) STR	5
	126684	1	41	1.87	46.156	4"	8.500	8(.635) STR	5
DD454	128910	1	41	1.87	42.460	4"	8.500	8(.635) STR	6
RD454	128504	1	41	1.87	46.156	11"	8.500	8(.635) STR	6



In the 4th quarter of 1998 a design change was made to the "FORWARD" axle housings in the 404 family axles. The axle housing rear cover is no longer a bolt on cover but is a welded assembly (shown) and is not serviceable.

Shown below is an axle housing part number cross reference listing for some common D/R housings used in production. If the part number on your tag is not listed below, consult your OEM, local OEM dealer or your Roadranger representative (1-800-826-HELP).

AXLE SERIES	TAG I.D. NUMBER	OLD SERVICE P/N	CURRENT SERVICE P/N	OEM	NOTES
DS404	305828	216123	319421	Peterbilt	Bare Hsg.
DS405	306296	216604	319421	Peterbilt	Bare Hsg.
RS404	305830	216124	216605	Peterbilt	Bare Hsg.
RS405	306298	—	216605	Peterbilt	Bare Hsg.
DS404	305828	319157	319903	Peterbilt	Has Torque Rod Bkt & Spring Seats For Air Leaf Suspension
DS404	305828	319161	319905	Peterbilt	Has Torque Rod Bkt & Spring Seats For Air Trac Suspension
DS404	305828	—	320175	Peterbilt	Has Torque Rod Bkt & Spring Seats For Low Air Suspension
DS405	306296	319157	319903	Peterbilt	Has Torque Rod Bkt & Spring Seats For Air Leaf Suspension
DS405	306296	319161	319905	Peterbilt	Has Torque Rod Bkt & Spring Seats For Air Trac Suspension
DS405	306296	—	320175	Peterbilt	Has Torque Rod Bkt & Spring Seats For Low Air Suspension
DS405	306296	219144	319447	Peterbilt	Has Brackets For Hendrickson Suspension
RS404	305830	—	319159	Peterbilt	Has Torque Rod Bkt & Spring Seats For Air Leaf Suspension
RS404	305830	—	319163	Peterbilt	Has Torque Rod Bkt & Spring Seats For Air Trac Suspension
RS404	305830	—	320177	Peterbilt	Has Torque Rod Bkt & Spring Seats For Low Air Suspension
RS405	306298	—	319159	Peterbilt	Has Torque Rod Bkt & Spring Seats For Air Leaf Suspension
RS405	306298	—	319163	Peterbilt	Has Torque Rod Bkt & Spring Seats For Air Trac Suspension
RS405	306298	—	320177	Peterbilt	Has Torque Rod Bkt & Spring Seats For Low Air Suspension
RS405	306298	—	219145	Peterbilt	Has Brackets For Hendrickson Suspension
DS404	305466	214015	319603	Peterbilt/KW	Bare Hsg.
DS344	305480	213957	319609	GMC	Bare Hsg.
DS404	305694	214986	319613	Peterbilt	Bare Hsg.
DS454	305832	218436	319405	Peterbilt/KW	Bare Hsg.
DS404	305886	214966	319407	Volvo Mack	Has Torque Rod Brackets & Hanger Brackets
RS404	305888	—	214967	Volvo/Mack	Has Torque Rod Brackets & Hanger Brackets
DS404	305890	216086	319409	Western Star	Bare Hsg.
DS404	305894	216127	319617	Marmon	Bare Hsg.
DS404	305916	217657	319411	Navistar	Has Torque Rod Brackets & Hanger Brackets
DS404	305920	217641	319623	Navistar	Has Torque Rod Brackets & Hanger Brackets
DS404	305924	216019	319413	Navistar	Has Torque Rod Bracket
DS404	305930	216172	319415	Mack	Has Torque Rod Bracket
DS404	305934	216254	319417	Mack	Bare Hsg.
DS404	305942	218042	319625	Mack	Has Torque Rod Brackets & Hanger Brackets
DS404	305952	216307	319629	Ford Mtr	Has Torque Rod Bracket
DS404	305974	219354	319639	Ford Mtr	Bare Hsg.
DS404	306358	507322	319659	Peterbilt/KW	Bare Hsg.
DS404	306378	216250	319661	Volvo	Has Torque Rod Bracket
DD404	306436	216586	319423	Peterbilt/KW/Volvo	Bare Hsg.
DD454	306440	217246	319425	Peterbilt/KW	Bare Hsg.
DD405	306460	217255	319427	Peterbilt/KW	Bare Hsg.
DS404	307082	219504	319723	Crane	Has Torque Rod Brackets & Hanger Brackets

Gear & Pinion Kits

D - Forward Axles

D344/404/405/454

15° Hypoid

Ratios	Gear Set	Gear(NSS)	Pinion(NSS)
2.64	211462	127387 (37)	127439 (14)
2.85	211463	127388 (37)	127440 (13)
3.08	211464	127388 (37)	127441 (12)
3.25	211465	127389 (39)	127442 (12)
3.36	211466	127388 (37)	127443 (11)
3.55	211467	127389 (39)	127444 (11)
3.70	211468	127388 (37)	127445 (10)
3.90	211469	127389 (39)	127446 (10)
4.11	211470	127388 (37)	127447 (9)
4.33	211471	127389 (39)	127448 (9)
4.63	211472	127390 (37)	127449 (8)
4.88	211473	127391 (39)	127450 (8)
5.29	211474	127390 (37)	127451 (7)
5.57	211475	127391 (39)	127452 (7)
6.17	211476	127390 (37)	127453 (6)
6.50	211477	127391 (39)	127454 (6)

R - Rear Axle

R344/404/405/454

15° Hypoid

39-1.95° Inv Spline

Ratios	Gear Set	Gear(NSS)	Pinion(NSS)
2.64	211478	127380 (37)	127420 (14)
2.85	211479	127381 (37)	127421 (13)
3.08	211480	127381 (37)	127422 (12)
3.25	211481	127382 (39)	127423 (12)
3.36	211482	127381 (37)	127424 (11)
3.55	211483	127382 (39)	127425 (11)
3.70	211484	127381 (37)	127426 (10)
3.90	211485	127382 (39)	127427 (10)
4.11	211486	127381 (37)	127428 (9)
4.33	211487	127382 (39)	127429 (9)
4.63	211488	127383 (37)	127430 (8)
4.88	211489	127384 (39)	127431 (8)
5.29	211490	127383 (37)	127432 (7)
5.57	211491	127384 (39)	127433 (7)
6.17	211492	127383 (37)	127434 (6)
6.50	211493	127384 (39)	127435 (6)

NSS – Not Sold Separately

Carrier Exchange Assemblies

DS404-(P)
Single Reduction
41 Inv Spline

Ratio	(non-pump)	(pump)	(non-pump)	(pump)
	Carrier Exchange	Carrier Exchange	Reverse Air Carrier Exchange	Reverse Air Carrier Exchange
2.64	674861	675200	674962	—
2.85	674862	675201	674963	—
3.08	674863	675202	674964	675525
3.25	674864	675203	674961	—
3.36	674865	675204	674921	—
3.55	674866	675205	674922	675527
3.70	674867	675206	674923	675528
3.90	674868	675207	674924	675529
4.11	674869	675208	674925	675530
4.33	674870	675209	674926	675523
4.63	674871	675210	674965	675531
4.88	674872	675211	674966	675532
5.29	674873	675212	674967	675533
5.57	674874	675213	674968	675534
6.17	674875	675214	674969	675544
6.50	674876	N/A	674970	675535

DD404-(P)
Single Reduction w/Differential Lock
41 Inv Spline

Ratio	(non-pump)	(pump)
	Carrier Exchange	Carrier Exchange
2.64	675510	675303
2.85	675251	675304
3.08	675252	675305
3.25	675253	675306
3.36	675254	675307
3.55	675255	675308
3.70	675256	675309
3.90	675257	675310
4.11	675258	675311
4.33	675259	675312
4.63	675260	675313
4.88	675261	675314
5.29	675262	675315
5.57	675263	675316
6.17	675264	675317
6.50	675265	675318

RS404
Single Reduction
41 Inv Spline

Ratio	Carrier Exchange
2.64	674877
2.85	674878
3.08	674879
3.25	674880
3.36	674881
3.55	674882
3.70	674883
3.90	674884
4.11	674885
4.33	674886
4.63	674887
4.88	674888
5.29	674889
5.57	674890
6.17	674891
6.50	674892
7.17	674893

RD404
Single Reduction w/Differential Lock
41 Inv Spline

Ratio	Carrier Exchange
2.64	675280
2.85	675281
3.08	675282
3.25	675283
3.36	675284
3.55	675285
3.70	675286
3.90	675287
4.11	675288
4.33	675289
4.63	675290
4.88	675291
5.29	675292
5.57	675293
6.17	675294
6.50	675295
7.17	675296

DS454-(P)**Single Reduction
41 Inv Spline**

Ratio	(non-pump)	(pump)
	Carrier Exchange	Carrier Exchange
2.64	675657	675641
2.85	675658	675642
3.08	675659	675643
3.25	675660	675644
3.36	675661	675645
3.55	675662	675646
3.70	675663	675647
3.90	675664	675648
4.11	675665	675649
4.33	675666	675650
4.63	675667	675651
4.88	675668	675652
5.29	675669	675653
5.57	675670	675654
6.17	675671	675655
6.50	675672	675656
7.17	—	—

DD454-(P)**Single Reduction w/Differential Lock
41 Inv Spline**

Ratio	(non-pump)	(pump)
	Carrier Exchange	Carrier Exchange
2.64	675705	675689
2.85	675706	675690
3.08	675707	675691
3.25	675708	675692
3.36	675709	675693
3.55	675710	675694
3.70	675711	675695
3.90	675712	675696
4.11	675713	675697
4.33	675714	675698
4.63	675715	675699
4.88	675716	675700
5.29	675717	675701
5.57	675718	675402
6.17	675719	675703
6.50	675720	675704
7.17	—	—

RS454**Single Reduction
41 Inv Spline**

Ratio	Carrier Exchange
2.64	675673
2.85	675674
3.08	675675
3.25	675676
3.36	675677
3.55	675678
3.70	675679
3.90	675680
4.11	675681
4.33	675682
4.63	675683
4.88	675684
5.29	675685
5.57	675686
6.17	675687
6.50	675688
7.17	—

RD454**Single Reduction w/Differential Lock
41 Inv Spline**

Ratio	Carrier Exchange
2.64	675721
2.85	675722
3.08	675723
3.25	675724
3.36	675725
3.55	675726
3.70	675727
3.90	675728
4.11	675729
4.33	675730
4.63	675731
4.88	675732
5.29	675733
5.57	675734
6.17	675735
6.50	675736
7.17	—

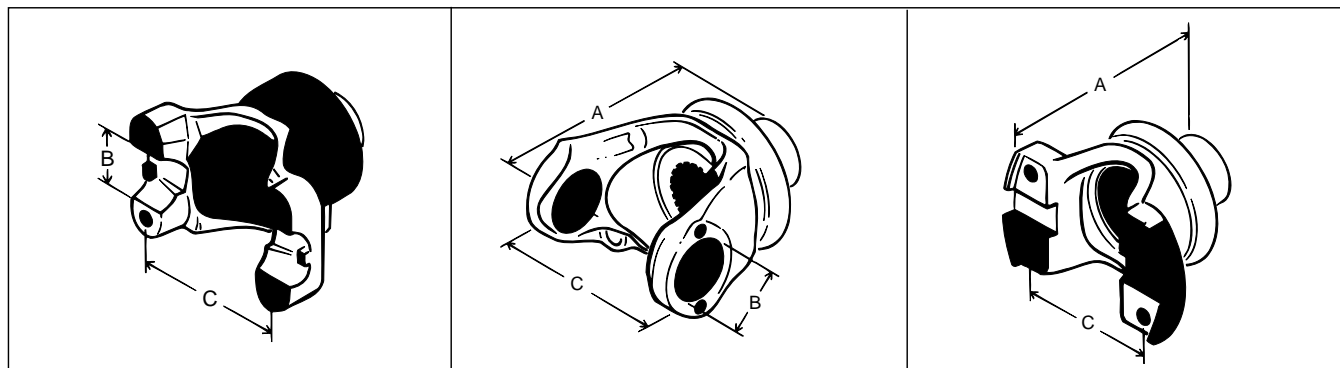
Carrier Exchange part-numbers for models with IASS have not been released. Contact your Roadranger representative at 1-800-826-HELP for additional help. IASS MODELS: (DA/RA344/404/405/454).

Yokes & Flanges

**Style X
Half Round**

**Style Y
Full Round**

**Style Z
Half Round
Tapped Holes
Bearing Strap**



All 344, 404, 405, 454 Series

Forward Axle – Input / 44-2.25 Inv Spline

Yoke & Slinger	Series	Joint Angle	Style	Dimensions			Spicer P/N
				A	B	C	
127620	1610	35	X	5.00	1.88	5.31	5-4-9261-1X
127550	1710	23	Y	5.19	1.94	6.09	6-4-8451
127617	1710	30	X	5.19	1.94	6.19	6-4-8981-1X
127622	1760	30	X	5.25	1.94	7.09	6.3-4-5221-1X
127618	1760	30	Y	5.25	1.94	7.00	6.3-4-5221-1X
127621	1810	30	X	5.25	1.94	7.64	6.5-4-4571-1X
127619	1810	30	Y	5.25	1.94	7.55	6.5-4-4571-X

Forward Axle – Output / 39-1.95 Inv Spline

Yoke & Slinger	Series	Joint Angle	Style	Dimensions			Spicer P/N
				A	B	C	
127638	1610	45	Y	6.00	1.88	5.31	5-4-9271X
127624	1710	45	Y	6.12	1.94	6.09	6-4-9001X
127558	1710	30	Y	5.25	1.94	6.09	6-4-9041X
128722	1710	39.5	X	6.12	1.94	6.19	6-4-9001-1X
128737	1710	30	X	5.25	1.94	6.19	6-4-9041-1X

Rear Axle – Pinion/39-1.95 Inv Spline

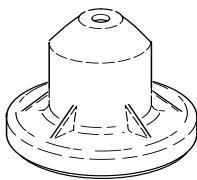
Yoke & Slinger	Series	Joint Angle	Style	Dimensions			Spicer P/N
				A	B	C	
129164	1480	19	X	4.34	1.38	4.19	3-4-13081-1X
129166	1550	24.5	X	4.30	1.38	4.19	4-4-7571-1X
128720	1610	45	Y	6.00	1.88	5.31	5-4-9241X
128721	1610	22	Y	4.72	1.88	5.31	5-4-9251X
127415	1710	30	Y	5.25	1.94	6.09	6-4-9031X
127637	1710	45	Y	6.12	1.94	6.09	6-4-8991X
128745	1710	30	X	5.25	1.94	6.19	6-4-9031-1X
128746	1710	39.5	X	6.12	1.94	6.19	6-4-8991-1X

Oil Seal Installation Tools

This kit contains installation tools used for installing driveline oil seals. Using these tools ensures proper installation of the seal. Failure to use these tools may result in an improperly installed or damaged seal.

Oil Seal Driver Installation Kit: 217414

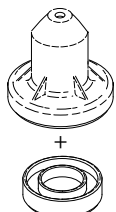
126917



D10004-5-94

D-Input

126917

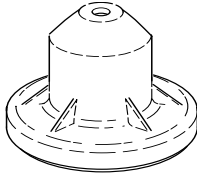


D00004-5-94

128706

D-Output

126917



RP0004-5-94

R-Pinion

Service Kits and Assemblies

Basic Overhaul Kit - DD Models	217463
Basic Overhaul Kit - RD Models	217464
Basic Overhaul Kit - DS/DA Models	216220
Basic Overhaul Kit - RS/RA Models	216221
Cage & Cup Assy - "D" series	127601
Cage & Cup Assy - "R" series	127600
Input Brg Cover Assy - After 11/2/98	129575
Input Brg Cover Assy - Before 11/2/98	127602
Input Shaft Kit - All "D" Models	216226
Inter-Axle Diff Assy (All "D" Models)	128634
Lube Pump Assembly	127534
Oil Seal Driver Installation Kit - All Models	217414
Oil Seal & Shim Kit - All "D" series	216224
Oil Seal & Shim Kit - All "R" series	216225
Output Shaft Kit - All "D" Models	216227
Ring Gear Nut & Bolt Kit	508652
Wheel Diff Case Kit - 2.64 to 3.25 DS/RS344/404/454	508653
Wheel Diff Case Kit - 3.36 to 3.90 DS/RS344/404/454	508654
Wheel Diff Case Kit - 4.11 to 4.88 DS/RS344/404/454	508655
Wheel Diff Case Kit - 5.29 to 6.50 DS/RS344/404/454	508656
Wheel Diff Case Kit - 2.64 to 3.25 DD/RD404/405/454	508724
Wheel Diff Case Kit - 3.36 to 3.90 DD/RD404/454	508725
Wheel Diff Case Kit - 4.11 to 4.88 DD/RD404/454	508726
Wheel Diff Case Kit - 5.29 to 6.50 DD/RD404/405/454	508727
Wheel Diff Side Gear Kit - 41 Inv	216229
Wheel Diff Side Gear Kit - 39 Inv 344 models	217461
Wheel Diff Kit - w/o side gears (all models)	216228

Yokes & Flanges
Kits & Assemblies

Listed Below is a Quick Part Number Replacement Listing

Old Part No.	Current Replacement P/N	Notes
121753	508652	See bulletin ABIB-9701
126156	90873	
126841	—	See bulletin ABIB-9609 for replacement kits
127369	129305	
127410	129128	
127412	129130	
127487	217519	See bulletin ABIB-9709
127506	129783	127506 cannot be used in axle designs built after 11-2-99
128146	129044	See bulletin ABIB-9609
128445	129046	See bulletin ABIB-9609
128481	129047	See bulletin ABIB-9609
128612	508290	See bulletin ABIB-9609
128806	508652	See bulletin ABIB-9701
128926	126840	
129037	217519	See bulletin ABIB-9709
129056	NONE	Never released
129489	217519	See bulletin ABIB-9709
129490	217519	See bulletin ABIB-9709
210280	—	See bulletin ABIB-9609 for replacement kits
210299	129433	
216230	508653	See bulletin ABIB-9701
216231	508654	See bulletin ABIB-9701
216232	508655	See bulletin ABIB-9701
216233	508656	See bulletin ABIB-9701
217166	508724	See bulletin ABIB-9701
217168	508726	See bulletin ABIB-9701
217169	508727	See bulletin ABIB-9701
217361	510025	404/405
217537	510026	404P/405P
218167	508725	See bulletin ABIB-9701
219704	508652	See bulletin ABIB-9701
216222	510021	DS344/404/405
217360	510022	DS404P/405P
217536	510029	DA344/404/405
127648	127628	



Roadranger[®]

MORE TIME ON THE ROAD.

The Roadranger[®] System is an unbeatable combination of the best products from Eaton and Dana, partnering to provide you the most advanced, most trouble-free drivetrain in the industry. And it's backed by the Roadrangers -- the most experienced, most expert, most accessible drivetrain consultants in the business.

For spec'ing or service assistance, call 1-800-826-HELP (4357), 24 hours a day, 7 days a week, (Mexico: 8-332-1515) for more time on the road. Or visit our web site at <http://roadranger.com>.

AXIP-0200
05/99 POD
Printed in U.S.A.



National Institute for
**AUTOMOTIVE
SERVICE
EXCELLENCE**

Copyright Dana Corporation, 2001. DANA CORPORATION hereby grants its customers, vendors, or distributors permission to freely copy, reproduce and/or distribute this document in printed format. THIS INFORMATION IS NOT INTENDED FOR SALE OR RE-SALE, AND THIS NOTICE MUST REMAIN ON ALL COPIES.