



## DRIVELINE COMPONENTS CATALOG END YOKES



**J300P-4  
FEBRUARY 2005**

**Supersedes  
Section 4, Dated  
April 2003**



*People Finding A Better Way<sup>®</sup>*

## INCLUDED IN THIS CATALOG

This publication represents the most comprehensive listing of Splined Hole End Yokes ever published by Spicer. We have included all the part numbers currently being produced. Most will be in inventory at our distribution centers, and any numbers not inventoried can be supplied upon request.

- Spicer Life® Series yokes begin on page 4.
- A chart showing the configuration and dimensions of all slingers used on End Yoke Assemblies begins on page 55.
- All dimensions are shown in four-place decimals, making identification more compatible for people who measure using Vernier calipers.
- Listings have been expanded to assist in the identification of parts, and to help find the correct part or an alternate part for the application.
- All styles of end yokes (bearing plate (BP), bearing strap (BS), cap and bolt (CB), constant velocity (CV), half round (HR), snap ring (SR), inside snap ring (ISR), u-bolt (UB), and winged bearing (WB)) are listed under their corresponding series/spline header, allowing easy substitution of one type for another.
- Footnotes are listed immediately under the yoke dimensional data, alleviating the need to look at the bottom of the page.
- All of the listings are sorted so that all the individual styles of end yokes, along with the many different seal (hub) diameters and lengths are readily accessible. With this sorting method, alternate style substitutions (u-bolt for bearing strap) or acceptable hub diameter substitutions can be made by looking on only one page of the catalog.
- Listings for round, hex, square, rectangular, tapered hole and steering shaft yokes are once again listed in this catalog beginning on page 46.

**IMPORTANT NOTICE:** The data listed herein is correct to the best of our knowledge and belief; having been compiled from reliable and official sources of information. However, WE CANNOT ASSUME ANY RESPONSIBILITY for possible error.



# HOW TO USE THIS CATALOG

To identify any end yoke, there are two pieces of required information:

1. Series (Measurements to determine Series can be found in each Series header.)
2. Center Hole Type and Size

Center Hole type is described at the top center of each page, and Series designations are listed in ascending order by Center Hole Type. After determining series and center hole size, and turning to the appropriate page, all sizes of center holes will be listed under the series designation, along with the different types of end yokes (snap ring (SR), u-bolt (UB), bearing strap (BS), etc.).

**Example: To find a 1310 Series Yoke with a 1.146-26 Involute spline (see sample page below)**

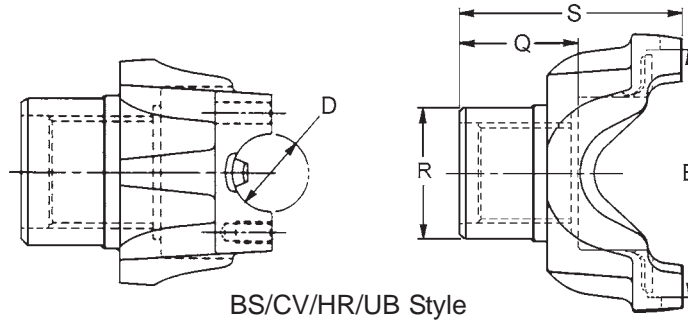
- ① Find the 1310 Series heading.
- ② Find the 1.146-26 Involute spline sub-heading.
- ③ Find a 1.5470 Ground Hub Diameter
- ④ Find a 1.5000 Length Through Hole
- ⑤ Find a 3.0000 Centerline to End
- ⑥ Find a Joint Angle of 22.5°
- ⑦ Find a U- Bolt Style — UB
- ⑧ Locate the part number. Assemblies include slingers, order when available.

Major Diameter	R	Q	S	Joint Angle	Style	End Yoke Assy. (incl. slinger) Order When Listed	Slinger Part	Spicer Part
	Ground Hub	Length Thru	Centerline to End					
<b>1310 SERIES (Continued) SR STYLE E-3.469 ALL OTHERS E-3.219, D-1.062 USE KIT 5-153X</b>								
<b>1.1460-26 Involute Spline</b>								
1.1460	1.5130	2.0000	3.3000	26.0	SR			2-4-8161 Coupling shaft yoke
1.1460	1.5470	1.5000	3.0000	22.5	BS	2-4-8091-1X	41498	2-4-8081-1
1.1460	③ 1.5470	④ 1.5000	⑤ 3.0000	⑥ 22.5	⑦ UB	⑧ 2-4-8091X	41498	2-4-8081
1.1460	1.5470	1.5000	3.0000	25.5	UB			2-4-7871
1.1460	1.5470	1.5000	3.2500	—	BS			2-4-8141-1

**Note the following information from the sample above:**

2-4-8091-1X (BS style) could easily be substituted for 2-4-8091X (UB style) by using bearing strap assembly 2-70-18X.



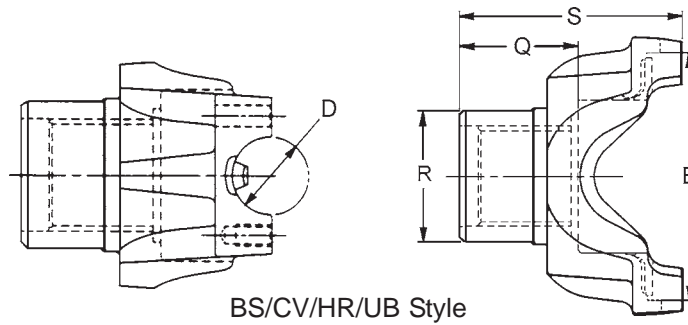


Major Diameter	R	Q	S	C Bore Depth	Joint Angle	Style	End Yoke Assy. (incl. slinger) Order When Listed	Slinger Part Number	Spicer Part Number	
	Ground Hub Dia.	Length Thru Hole	Centerline to End							
<b>SPL100 SERIES</b>			<b>SR STYLE E-5.380 ALL OTHERS E-4.958 D-1.626</b>				<b>USE KIT SPL100-1X</b>			
<b>USE BEARING RETAINER NO. 90-70-28X</b>										
<b>1.7710-34 Involute Spline</b>										
1.7710	2.7500	2.2300	4.0600	—	13.5	BS			100-4-931-1 <i>Coupling shaft yoke</i>	
<b>1.7900-34 Involute Spline</b>										
1.7900	2.5620	2.7500	5.7000	—	20.0	BS	100-4-901-1X	231059(PLUG)	100-4-891-1	
<b>2.0240-39 Involute Spline</b>										
2.0240	2.6250	2.2450	4.1600	—	15.0	BS	100-4-1081-1X	232167	100-4-1071-1	
2.0240	3.0000	2.2840	4.7500	—	25.0	BS	100-4-961-1X	232511	100-4-951-1	
2.0240	3.0000	2.2690	7.2950	—	22.0	BS	100-4-1371-1X	232511	100-4-1361-1 <i>Flanged end yoke</i>	
<b>SPL140 SERIES</b>			<b>E-5.457 IN.</b>		<b>D-1.938 IN.</b>		<b>USE KIT SPL140X</b>			
<b>USE BEARING RETAINER NO. 140-70-18X</b>										
<b>1.7740-34 Spline</b>										
1.7740	2.5000	2.5000	4.9500	—	25.0	HR	140-4-261-1X	231101	140-4-251-1	
<b>1.9620-10 Spline</b>										
1.9620	2.7500	2.8050	5.8100	—	25.0	HR			140-4-181-1	
<b>1.9980-38 Involute Spline</b>										
1.9980	2.7500	2.1250	4.7300	—	25.0	HR			140-4-891-1	
1.9980	2.7500	2.1250	4.8300	—	25.0	HR			140-4-111-1	
1.9980	2.7500	2.1250	4.8300	—	25.0	HR			140-4-1131-1	
1.9980	2.7500	2.1250	7.7280	—	25.0	HR			140-4-1021-1 <i>Flanged end yoke.</i>	
1.9980	2.8100	2.7450	5.3700	—	—	HR			140-4-11-1 <i>Coupling shaft yoke</i>	
1.9980	3.0000	2.1250	4.6800	—	25.0	HR	140-4-911-1X	232200	140-4-901-1	
<b>2.0240-39 Spline</b>										
2.0240	2.7500	2.4350	5.2500	.0900	24.5	HR	140-4-1431-1X	231599	140-4-1421-1	
2.0240	3.0000	2.3120	5.6800	.0900	25.0	HR	140-4-231-1X	231359	140-4-211-1	
2.0240	3.0000	2.3120	5.6800	.0900	25.0	HR	140-4-241-1X	232182	140-4-211-1	
<b>2.0240-39 Involute Spline</b>										
2.0240	3.0000	2.2840	4.9400	—	—	HR	140-4-1161-1X	232511	140-4-1151-1	
2.0240	3.0000	2.2840	4.9400	.2500	25.0	HR	140-4-371-1X	232511	140-4-361-1	
2.0240	3.0000	2.2840	7.5870	.2500	25.0	HR	140-4-1401-1X	232511	140-4-1391-1 <i>Metric flanged yoke</i>	
<b>2.1140-32 Involute Spline</b>										
2.1140	3.0000	2.2500	4.8100	.4240	25.0	HR	140-4-931-1X	232200	140-4-921-1	
<b>2.1430-41 Involute Spline</b>										
2.1430	2.9380	2.5000	5.5600	—	25.0	HR	140-4-431-1X	232604	140-4-421-1	
<b>2.1780-43 Involute Spline</b>										
2.1780	3.5390	2.0500	5.1000	.1570	25.0	HR			140-4-761-1	
2.1780	3.5410	2.0470	5.1000	.1600	—	HR			140-4-1231-1	
<b>2.2740-44 Spline</b>										
2.2740	3.0000	2.5000	2.1600	.2360	25.0	HR	140-4-331-1X	232511	140-4-321-1 <i>Metric flanged yoke</i>	



Major Diameter	R	Q	S	C'Bore Depth	Joint Angle	Style	End Yoke Assy. (incl. slinger) Order When Listed	Slinger Part Number	Spicer Part Number
	Ground Hub Dia.	Length Thru Hole	Centerline to End						
<b>SPL140 SERIES (Continued)</b>			<b>E-5.457 IN.</b>		<b>D-1.938 IN.</b>		<b>USE KIT SPL140X</b>		
<b>USE BEARING RETAINER NO. 140-70-18X</b>									
<b>2.2740-44 Involute Spline</b>									
2.2740	2.9380	2.3440	5.1900	—	—	HR	140-4-1201-1X	232604	140-4-1191-1
2.2740	2.9380	2.3500	5.1900	—	25.0	HR	140-4-451-1X	232604	140-4-441-1
2.2740	3.0000	2.5000	5.1600	.2360	25.0	HR	140-4-1271-1X	232511	140-4-1261-1
<b>2.3740-46 Spline</b>									
2.3740	3.2500	2.3230	5.6600	.1400	25.0	HR	140-4-311-1X	231803	140-4-301-1
2.3740	3.2500	2.8750	6.2100	.1400	25.0	HR	140-4-291-1X	231615	140-4-271-1
<b>2.3900-46 Involute Spline</b>									
2.3900	2.3750	3.1950	6.4400	.5800	25.0	HR	140-4-391-1X	232610	140-4-381-1
2.3900	3.3120	2.7500	5.3740	.1570	25.0	HR			140-4-1011-1
2.3900	3.5000	3.3750	5.9200	—	25.0	HR			140-4-751-1
<b>2.5000-10 Spline</b>									
2.5000	3.7500	3.0000	5.9600	—	25.0	HR	140-4-51-1X	231616	140-4-41-1
<b>2.5440-49 Involute Spline</b>									
2.5440	4.0000	2.7500	6.0600	.1800	25.0	HR			140-4-881-1
<b>2.7500-10 Spline</b>									
2.7500	3.7500	3.0000	6.5700	—	25.0	HR	140-4-71-1X	230902	140-4-61-1
2.7500	3.7500	3.0000	6.5700	—	25.0	HR	140-4-91-1X	231616	140-4-81-1
<b>2.7940-54 Involute Spline</b>									
2.7940	—	2.7450	6.3200	—	25.0	HR			140-4-201-1
<b>2.7950-55 Involute Spline</b>									
2.7950	4.7250	2.0470	4.9800	.1500	25.0	HR			140-4-771-1
<b>SPL170 SERIES</b>			<b>E-6.456 IN.</b>		<b>D-2.166 IN.</b>		<b>USE KIT SPL170X</b>		
<b>USE BEARING RETAINER KIT NO. 170-70-18X</b>									
<b>1.7740-34 Spline</b>									
1.7740	2.5000	2.2500	6.4440	.0900	45.0	HR			170-4-631-1
<b>1.7900-34 Involute Spline</b>									
1.7900	2.5000	2.2500	5.0300	.0900	25.0	HR			170-4-921-1
1.7900	2.6250	2.4380	5.6000	.2500	25.0	HR	170-4-121-1X	232166	170-4-111-1
<b>1.9890-30 Involute Spline</b>									
1.9890	3.0000	2.6850	6.5800	.2200	45.0	HR			170-4-771-1
<b>1.9980-38 Involute Spline</b>									
1.9980	2.7500	2.1250	4.8440	.2200	25.0	HR			170-4-541-1
<b>2.0240-39 Spline</b>									
2.0240	2.7500	2.0000	5.3700	.1200	45.0	HR	170-4-1261-1X	232042-2	170-4-1251-1
2.0240	3.0000	2.3120	5.0900	.1050	25.0	HR	170-4-651-1X	231359	170-4-641-1
2.0240	3.0000	2.3120	6.3910	.1050	45.0	HR	170-4-671-1X	231359	170-4-661-1
2.0240	3.0000	2.3120	6.3910	.1050	45.0	HR	170-4-691-1X	232182	170-4-661-1
<b>2.0240-39 Involute Spline</b>									
2.0240	2.6250	2.2500	4.9380	.2500	25.0	HR	170-4-161-1X	232167	170-4-151-1
2.0240	2.6250	2.5000	5.2660	.2500	25.0	HR	170-4-221-1X	232514	170-4-211-1
2.0240	2.6250	2.5000	6.5000	.2500	—	HR	170-4-1651-1X	232514	170-4-1641-1
2.0240	2.6250	2.5000	6.5000	.2500	45.0	HR	170-4-241-1X	232514	170-4-231-1
2.0240	3.0000	2.2500	5.0310	.2800	25.0	HR	170-4-851-1X	232199	170-4-841-1
2.0240	3.0000	2.2500	5.0310	.2800	25.0	HR	170-4-861-1X	232200	170-4-841-1
2.0240	3.0000	2.2500	6.2500	.3060	45.0	HR	170-4-811-1X	232200	170-4-801-1
2.0240	3.0000	2.2810	5.1560	.2500	25.0	HR	170-4-261-1X	232511	170-4-251-1
2.0240	3.0000	2.2810	6.2400	.2500	—	HR	170-4-1631-1X	232511	170-4-1621-1
2.0240	3.0000	2.2810	6.2400	.2500	45.0	HR	170-4-281-1X	232511	170-4-271-1
2.0240	3.0000	2.5000	5.2800	.2800	25.0	HR			170-4-821-1
2.0240	3.0000	2.5000	6.5000	.2800	45.0	HR			170-4-831-1



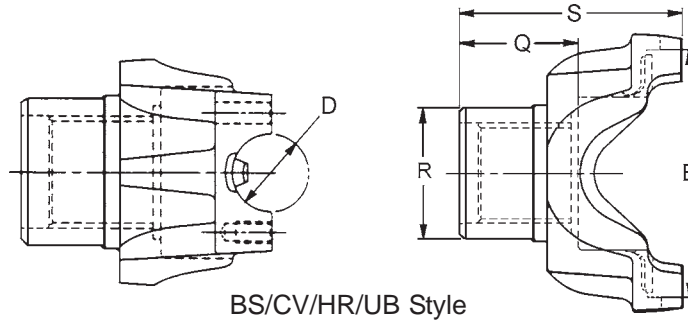


Major Diameter	R	Q	S	C Bore Depth	Joint Angle	Style	End Yoke Assy. (incl. slinger) Order When Listed	Slinger Part Number	Spicer Part Number
	Ground Hub Dia.	Length Thru Hole	Centerline to End						
<b>SPL170 SERIES</b>			<b>E-6.456 IN.</b>		<b>D-2.166 IN.</b>		<b>USE KIT SPL170X</b>		
<b>USE BEARING RETAINER KIT NO. 170-70-18X</b>									
<b>2.1140-32 Involute Spline</b>									
2.1140	3.0000	2.2500	5.0000	.4240	25.0	HR	170-4-901-1X	232200	170-4-891-1
2.1140	3.0000	2.2500	6.3120	.4240	45.0	HR	170-4-961-1X	232200	170-4-951-1
<b>2.1430-41 Involute Spline</b>									
2.1430	2.9380	2.5000	5.3200	—	25.0	HR	170-4-361-1X	232604	170-4-351-1
2.1430	2.9380	2.5000	6.6800	—	45.0	HR	170-4-381-1X	232604	170-4-371-1
2.1430	2.9380	3.0000	5.8000	.3800	25.0	HR	170-4-341-1X	232609	170-4-331-1
2.1430	2.9380	3.0000	7.1900	.3800	45.0	HR	170-4-321-1X	232609	170-4-311-1
<b>2.1780-43 Involute Spline</b>									
2.1780	3.5400	2.0500	5.3400	.1570	25.0	HR			170-4-1081-1
<b>2.2250-6 Spline</b>									
2.2250	3.0000	3.2500	6.0300	—	25.0	HR			170-4-1441-1
<b>2.2500-10 Spline</b>									
2.2500	3.5000	3.0000	5.7500	—	25.0	HR	170-4-461-1X	231616	170-4-451-1
<b>2.2740-44 Involute Spline</b>									
2.2740	2.9380	2.3500	5.0940	—	25.0	HR	170-4-31-1X	232604	170-4-21-1
2.2740	2.9380	2.5000	5.2810	—	25.0	HR	170-4-101-1X	232168	170-4-91-1
2.2740	3.0000	2.5000	5.2700	.2360	25.0	HR	170-4-201-1X	232511	170-4-191-1
<b>2.3640-36 Involute Spline</b>									
2.3640	3.0000	2.6850	5.4600	—	29.0	HR	170-4-761-1X	232199	170-4-751-1
2.3640	3.5000	2.4850	5.2700	.3060	25.0	HR	170-4-1041-1X	232201	170-4-1031-1
<b>2.3740-46 Spline</b>									
2.3740	3.2500	2.3280	5.1000	.1400	25.0	HR	170-4-721-1X	231803	170-4-711-1
2.3740	3.2500	2.3280	6.4380	.1400	45.0	HR	170-4-741-1X	231803	170-4-731-1
2.3740	3.2500	2.8750	5.7600	.1400	25.0	HR	170-4-581-1X	231179	170-4-571-1
2.3740	3.2500	2.8750	5.7600	.1400	25.0	HR	170-4-591-1X	231615	170-4-571-1
2.3740	3.5000	2.4060	5.8800	—	25.0	HR	170-4-1221-1X	232042-10	170-4-1211-1
2.3740	3.5000	2.4060	6.6880	—	45.0	HR	170-4-1291-1X	232042-10	170-4-1281-1
2.3740	3.7500	2.4060	5.1900	—	25.0	HR	170-4-1191-1X	231528	170-4-1171-1
<b>2.3900-46 Involute Spline</b>									
2.3900	2.8790	2.7500	5.5900	—	25.0	HR			170-4-1271-1
									<i>Coupling shaft yoke</i>
2.3900	3.3750	3.1950	6.5310	.5800	25.0	HR	170-4-301-1X	232610	170-4-291-1
<b>2.5000-10 Spline</b>									
2.5000	3.7500	3.0000	5.7500	—	25.0	HR	170-4-481-1X	231616	170-4-471-1
									<i>Hub machined for speedometer gear</i>
<b>2.5440-49 Involute Spline</b>									
2.5440	3.7500	3.0000	6.0000	—	25.0	HR	170-4-421-1X	231616	170-4-411-1
									<i>Hub machined for speedometer gear</i>
<b>2.7500-10 Spline</b>									
2.7500	—	3.0000	5.8500	—	25.0	HR			170-4-531-1
									<i>Hub diameter not ground.</i>
2.7500	3.7500	3.0000	5.8500	—	25.0	HR	170-4-501-1X	230902	170-4-491-1



Major Diameter	R	Q	S	C Bore Depth	Joint Angle	Style	End Yoke Assy. (incl. slinger) Order When Listed	Slinger Part Number	Spicer Part Number
	Ground Hub Dia.	Length Thru Hole	Centerline to End						
<b>SPL170 SERIES (Continued)</b>			<b>E-6.456 IN.</b>		<b>D-2.166 IN.</b>		<b>USE KIT SPL170X</b>		
<b>USE BEARING RETAINER KIT NO. 170-70-18X</b>									
<b>2.7500-10 Spline (Continued)</b>									
2.7500	3.7500	3.0000	5.8500	—	25.0	HR	170-4-521-1X	231616	170-4-511-1
2.7500	4.0000	2.9350	5.8000	—	25.0	HR			170-4-1141-1
<b>2.7940-54 Involute Spline</b>									
2.7940	3.8000	2.7500	5.6000	—	25.0	HR			170-4-561-1
<i>Hub diameter not ground.</i>									
<b>2.7950-55 Involute Spline</b>									
2.7950	4.7250	2.0470	5.2000	.1500	25.0	HR			170-4-1091-1
<b>SPL250 SERIES</b>			<b>E-6.412 IN.</b>		<b>D-2.362 IN.</b>		<b>USE KIT SPL250X</b>		
<b>USE BEARING RETAINED NO. 250-70-18X</b>									
<b>2.0240-39 Involute Spline</b>									
2.0240	3.0000	2.2450	5.2400	.2800	25.0	HR	250-4-391-1X	232199	250-4-381-1
<b>2.1430-41 Involute Spline</b>									
2.1430	2.9380	2.5000	5.4900	—	25.0	HR	250-4-141-1X	232604	250-4-131-1
<b>2.2250-6 Spline</b>									
2.2250	3.0000	3.2500	6.2400	—	25.0	HR	250-4-541-1X	829-W	250-4-531-1
2.2250	3.0000	3.2500	6.2500	—	25.0	HR			250-4-811-1
<b>2.2740-44 Involute Spline</b>									
2.2740	2.9380	2.3500	5.3280	—	25.0	HR	250-4-41-1X	232604	250-4-31-1
2.2740	2.9380	2.5000	5.4840	—	25.0	HR	250-4-61-1X	232168	250-4-51-1
2.2740	3.0000	2.5000	5.4900	.2360	25.0	HR	250-4-81-1X	232511	250-4-71-1
<b>2.3640-36 Involute Spline</b>									
2.3640	3.0000	2.6850	5.6800	—	25.0	HR	250-4-371-1X	232199	250-4-361-1
<b>2.3740-46 Spline</b>									
2.3740	3.2500	2.3120	5.3120	.1400	25.0	HR	250-4-351-1X	231803	250-4-341-1
2.3740	3.2500	2.8750	5.8700	.1400	25.0	HR	250-4-291-1X	231179	250-4-281-1
2.3740	3.2500	2.8750	5.8700	.1400	25.0	HR	250-4-301-1X	231615	250-4-281-1
2.3740	3.5000	2.4060	6.1400	—	25.0	HR	250-4-651-1X	232042-10	250-4-641-1
2.3740	3.7500	2.4060	5.4100	—	19.0	HR	250-4-621-1X	231528	250-4-601-1
<i>Hub machined for speedometer gear</i>									
<b>2.3900-46 Involute Spline</b>									
2.3900	3.3440	2.7500	5.7500	—	25.0	HR			250-4-21-1
<i>Coupling shaft yoke</i>									
2.3900	3.3750	3.1950	6.7600	.5800	25.0	HR	250-4-101-1X	232610	250-4-91-1
2.3900	3.5000	3.3750	6.5600	—	25.0	HR			250-4-471-1
<b>2.5000-10 Spline</b>									
2.5000	3.7500	3.0000	6.0620	—	—	HR	250-4-201-1X	231616	250-4-191-1
2.5000	3.7500	3.0000	6.2500	—	25.0	HR			250-4-561-1
<i>Hub machined for speedometer gear</i>									
<b>2.5440-49 Involute Spline</b>									
2.5440	3.7500	3.0000	6.2500	—	25.0	HR	250-4-161-1X	231616	250-4-151-1
<i>Hub machined for speedometer gear</i>									
<b>2.6350-20 Involute Spline</b>									
2.6350	3.7500	2.7500	6.2700	—	25.0	HR	250-4-521-1X	231745	250-4-511-1
<i>Hub machined for speedometer gear</i>									
<b>2.7500-10 Spline</b>									
2.7500	—	3.0000	6.3100	—	25.0	HR			250-4-251-1
2.7500	3.3750	2.9350	6.3700	—	25.0	HR			250-4-551-1
<i>Hub machined for speedometer gear</i>									
2.7500	3.5000	3.0000	6.3120	—	25.0	HR	250-4-761-1X	230674	250-4-751-1
2.7500	3.7500	3.0000	6.2970	—	25.0	HR	250-4-241-1X	231616	250-4-231-1
2.7500	3.7500	3.0000	6.3000	—	25.0	HR	250-4-221-1X	230902	250-4-211-1
<b>2.7940-54 Involute Spline</b>									
2.7940	—	2.7500	5.7030	—	25.0	HR			250-4-271-1





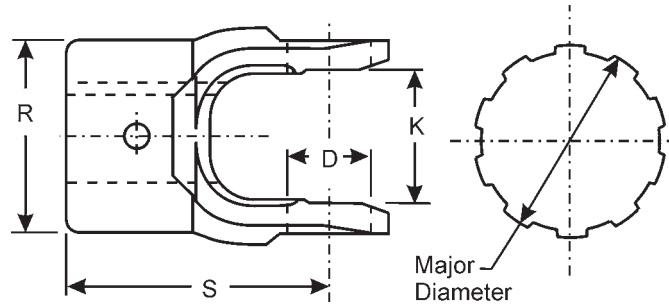
Major Diameter	R	Q	S	C Bore Depth	Joint Angle	Style	End Yoke Assy. (incl. slinger) Order When Listed	Slinger Part Number	Spicer Part Number	
	Ground Hub Dia.	Length Thru Hole	Centerline to End							
<b>SPL55 SERIES</b>			<b>SR STYLE E-4.438 ALL OTHERS E-4.188, D-1.375</b>				<b>USE KIT SPL55-1X</b>			
<b>USE STRAP ASSY 3-70-38X</b>										
<b>1.5670-36 Involute Spline</b>										
1.5670	2.6180	1.9800	4.0250	—	30.0	BS			55-4-11-1	<i>Coupling shaft yoke</i>
<b>1.7900-34 Involute Spline</b>										
1.7900	2.3750	2.1880	4.2190	—	22.5	BS	55-4-41-1X	233034	55-4-31-1	
1.7900	2.5640	2.7600	4.8700	—	25.0	BS	5001480	231059(PLUG)	55-4-201-1	
1.7900	2.5640	2.7600	4.8700	—	19.0	BS	55-4-131-1X	232805-1	55-4-121-1	<i>For 9" x 3" Brake</i>
1.7900	2.5640	2.7600	4.8700	—	19.0	BS	55-4-101-1X		55-4-91-1	<i>For 9" x 3" Brake</i>
<b>SPL70 SERIES</b>			<b>E-4.964,</b>		<b>D-1.375</b>		<b>USE KIT SPL70-1X</b>			
<b>USE STRAP ASSY. 3-70-38X</b>										
<b>1.5430-24 Involute Spline</b>										
1.5430	2.2410	1.8440	5.7500	—	—	BS	70-4-271-1X		70-4-261-1	<i>Flanged yoke W/eight, 7-73-620 bolts</i>
<b>1.7830-34 Involute Spline</b>										
1.7830	2.9400	2.2360	4.2440	—	22.5	BS			70-4-11-1	<i>Coupling shaft yoke</i>
<b>1.7900-34 Involute Spline</b>										
1.7900	2.3750	2.1880	4.0000	—	21.5	BS	70-4-61-1X	233034	70-4-51-1	
1.7900	2.5620	2.7500	5.5300	—	—	BS	70-4-191-1X	231059(PLUG)	70-4-181-1	<i>Flanged yoke W/eight, 7-73-620 bolts</i>
<b>SPL90 SERIES</b>			<b>SR STYLE E-5.375 ALL OTHERS E-4.957, D-1.625</b>				<b>USE KIT SPL90X</b>			
<b>USE STRAP ASSY. 90-70-28X</b>										
<b>1.7500-10 Spline</b>										
1.7500	2.5000	1.9380	4.1250	—	15.0	BS			90-4-371-1	
<b>1.7740-34 Involute Spline</b>										
1.7740	2.5000	2.2500	4.1100	—	15.0	BS	90-4-761-1X	231206	90-4-751-1	
<b>1.7900-34 Involute Spline</b>										
1.7900	2.3750	2.1880	5.6250	—	15.0	BS	90-4-551-1X	232198	90-4-541-1	
1.7900	2.5000	2.2500	4.0620	—	15.0	BS			90-4-11-1	<i>Coupling shaft yoke</i>
1.7900	2.5620	2.7500	5.6090	—	15.0	BS	90-4-191-1X	231059(PLUG)	90-4-181-1	
1.7900	2.5620	2.7500	5.6250	—	15.0	BS	90-4-501-1X	231059(PLUG)	90-4-461-1	
<b>1.9620-10 Spline</b>										
1.9620	2.6250	2.2500	5.0940	—	15.0	BS	90-4-211-1X	230909	90-4-201-1	
1.9620	2.7500	2.7810	4.9840	—	15.0	BS			90-4-381-1	
<b>1.9980-38 Involute Spline</b>										
1.9980	2.7500	2.1250	4.0000	—	15.0	BS			90-4-71-1	
1.9980	2.7500	2.1250	4.2500	—	15.0	BS			90-4-391-1	
1.9980	2.7500	2.1250	7.5620	—	22.0	BS			90-4-111-1	
1.9980	3.0000	2.1250	4.2500	—	15.0	BS	90-4-571-1X	232200	90-4-561-1	<i>Flanged end yoke.</i>





Major Diameter	R	Q	S	C Bore Depth	Joint Angle	Style	End Yoke Assy. (incl. slinger) Order When Listed	Slinger Part Number	Spicer Part Number	
	Ground Hub Dia.	Length Thru Hole	Centerline to End							
<b>SPL90 SERIES (Continued)</b>			<b>SR STYLE E-5.375 ALL OTHERS E-4.957, D-1.625</b>					<b>USE KIT SPL90X</b>		
<b>USE STRAP ASSY. 90-70-28X</b>										
<b>2.0240-39 Spline</b>										
2.0240	3.0000	2.3120	4.6250	—	15.0	BS	90-4-321-1X	231359	90-4-311-1	
<b>2.0240-39 Involute Spline</b>										
2.0240	2.6265	2.2450	4.1600	—	15.0	BS	90-4-631-1X	232039	90-4-621-1	
2.0240	3.0000	2.2810	4.7500	.2500	15.0	BS	90-4-251-1X	232511	90-4-241-1	
<b>2.1140-32 Involute Spline</b>										
2.1140	3.0000	2.2500	4.3750	.4240	15.0	BS	90-4-591-1X	232200	90-4-581-1	
<b>2.1410-41 Involute Spline</b>										
2.1410	2.9380	2.5000	4.5620	—	12.0	BS	90-4-691-1X	232604	90-4-471-1	
<b>2.1780-43 Involute Spline</b>										
2.1780	3.5470	2.0310	4.6250	.1570	15.0	BS			90-4-791-1	
<b>2.2500-10 Spline</b>										
2.2500	3.7500	3.0000	5.2190	—	15.0	BS	90-4-171-1X	231616	90-4-161-1	
<b>2.2810-44 Involute Spline</b>										
2.2810	2.9380	2.3440	4.4690	—	—	BS	100-4-1381-1X	232604	90-4-281-1	
<b>2.3640-36 Involute Spline</b>										
2.3640	3.0000	2.6880	4.8120	—	15.0	BS	90-4-611-1X	232200	90-4-601-1	
<b>2.3740-46 Involute Spline</b>										
2.3740	3.2500	2.3120	4.6410	—	15.0	BS	90-4-341-1X	231803	90-4-331-1	
2.3740	3.2500	2.8750	5.1880	—	15.0	BS	90-4-361-1X	231615	90-4-351-1	
<b>2.3900-47 Involute Spline</b>										
2.3900	3.3440	1.7810	4.2500	—	15.0	BS	90-4-531-1X	232195	90-4-521-1	

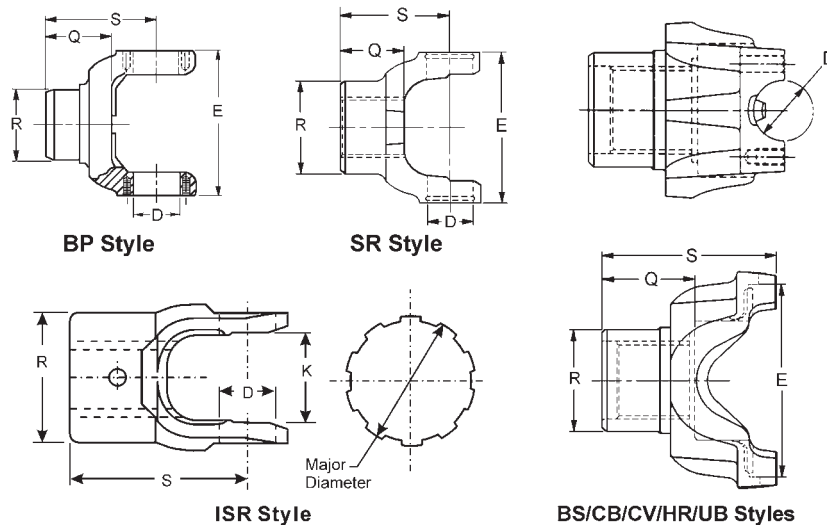




Major Diameter	R	Set Screw Diameter	Pin Hole Diameter	Location Viewed From Hub	S	Spicer Part Number
	Ground Hub Dia.				Centerline to End of Hub	
<b>1000 SERIES</b>		<b>K-1.500</b>	<b>D-.938</b>			<b>USE KIT 5-170X</b>
<b>.8750-13 Spline</b>						
.8750	1.5000	.2500	—	6	3.8120	10-4-641
.8750	1.6250	.3750	—	6	2.5000	10-4-481
<b>1.0000-6 Spline</b>						
1.0000	1.6250	.3750	—	3	2.5000	10-4-101
						<i>.375 Dia. set screw @ 3 OR 9, hub diameter not ground.</i>
<b>1.1250-6 Spline</b>						
1.1250	1.6250	—	.3280	THRU HUB	2.5000	10-4-11
						<i>.328 dia. pin hole thru hub, hub diameter not ground</i>
<b>1.2500-6 Spline</b>						
1.2500	1.6250	—	.3280	THRU HUB	2.5000	10-4-21
						<i>.328 dia. pin hole thru hub, hub diameter not ground</i>
<b>1.3750-6 Spline</b>						
1.3750	2.0000	—	.3280	THRU HUB	2.5000	10-4-31
						<i>.328 dia. pin hole thru hub, hub diameter not ground</i>



# END YOKES with SPLINED HOLES

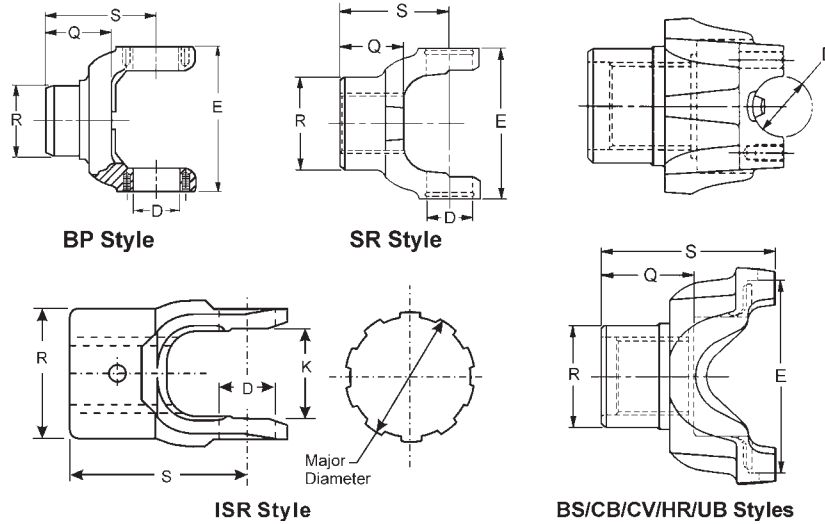


Major Diameter	R	Q	S	C'Bore Depth	Joint Angle	Style	End Yoke Assy. (incl. slinger) Order When Listed	Slinger Part Number	Spicer Part Number
	Ground Hub Dia.	Length Thru Hole	Centerline to End						
<b>1100 SERIES</b>			<b>E-2.656</b>	<b>D-.938</b>	<b>USE KIT 5-101X OR 5-111X</b>				
<b>.8780-13 Involute Spline</b>									
.8780	2.0000	1.2500	2.2500	—	30.0	SR			1-4-1201
<b>1210 SERIES</b>			<b>E-2.438</b>	<b>D-1.062</b>	<b>USE KIT 5-443X</b>				
<b>USES U-BOLT ASSY. 2-94-28X, STRAP ASSY. 2-70-18X</b>									
<b>.9840-22 Involute Spline</b>									
.9840	1.5470	1.2970	3.3050	—	31.5	BS	2-4-7221-1X	42735	2-4-7111-1
<b>1.0310-23 Involute Spline</b>									
1.0310	1.5620	1.5000	3.0630	—	17.5	BS	2-4-5921-1X	41498	2-4-5911-1
<b>1.1460-26 Involute Spline</b>									
1.1460	1.5940	1.5940	2.9380	—	17.0	BS	2-4-6731-1X	231596	2-4-6721-1
									<i>Coupling shaft yoke</i>
1.1460	1.6250	1.1560	2.7500	—	—	BS			2-4-5901-1
1.1460	1.6250	1.1560	3.3750	—	15.0	CV			2-4-5891
									<i>C-V yoke.</i>
1.1460	1.7500	1.3750	2.9380	—	17.0	BS			2-4-6191-1
									<i>Hub diameter not ground.</i>
<b>1240 SERIES</b>			<b>E-2.875</b>	<b>D-1.125</b>	<b>USE KIT NO 5-129X</b>				
<b>1.2500-6 Spline</b>									
1.2500	2.3750	1.7500	3.3750	—	—	SR			2-4-3081
<b>1.3750-21 Spline</b>									
1.3750	1.9380	2.1250	3.7500	—	—	SR			2-4-4261
1.3750	2.1250	1.6250	3.3750	—	—	SR			2-4-3981
<b>1.3750-6 Spline</b>									
1.3750	2.0000	2.5620	4.1880	—	—	SR			2-4-3101
<b>1310 SERIES</b>			<b>SR: E-3.469 OTHERS E-3.219, D-1.062 USE KIT 5-153X,5-785X,5-810X</b>						
<b>USES U-BOLT ASSY. 2-94-28X, STRAP ASSY. 2-70-18X</b>									
<b>.8780-13 Involute Spline</b>									
.8780	2.0000	1.5670	2.5620	—	30.0	SR			2-4-3331
									<i>.375 Diameter set screw.</i>
<b>.9700-29 Involute Spline</b>									
.9700	1.5000	1.5000	3.0000	.2990	30.0	BS			2-4-8031-1
<b>.9840-10 Spline</b>									
.9840	1.5620	1.9380	3.6560	—	22.0	UB			2-4-1721



Important: See Safety Information in General Information Section (J300P-GI)

# END YOKES with SPLINED HOLES



Major Diameter	R	Q	S	C'Bore Depth	Joint Angle	Style	End Yoke Assy. (incl. slinger) Order When Listed	Slinger Part Number	Spicer Part Number
	Ground Hub Dia.	Length Thru Hole	Centerline to End						
<b>1310 SERIES (Continued) SR: E-3.469 OTHERS E-3.219, D-1.062 USE KIT 5-153X,5-785X,5-810X</b>									
<b>USES U-BOLT ASSY. 2-94-28X, STRAP ASSY. 2-70-18X</b>									
<b>1.0100-15 Involute Spline</b>									
1.0100	1.5940	2.6560	3.5620	—	17.0	SR			2-4-4931
1.0100	2.1200	1.0620	2.3120	—	20.0	SR			2-4-4921
1.0100	2.1200	1.4700	2.5000	—	—	SR			Hub diameter not ground. 2-4-8241 .375 Diameter set screw.
<b>1.0310-23 Involute Spline</b>									
1.0310	1.5520	1.5000	3.0000	—	30.0	BS	2-4-6131-1X	41498	2-4-6121-1
<b>1.0700-16 Involute Spline</b>									
1.0700	1.6250	1.7500	3.2190	.2010	—	BS	2-4-6981-1X	231901	2-4-6661-1
<b>1.1250-10 Spline</b>									
1.1250	1.5520	1.5000	3.0000	.3100	25.0	UB	2-4-2691X	330851	2-4-2681
1.1250	1.5520	1.5000	3.0000	—	25.0	UB	2-4-2821X	15099	2-4-2791
1.1250	1.5520	1.5000	3.0000	—	25.0	BS	2-4-2801-1X	31875	2-4-2791-1
1.1250	1.5520	1.5000	3.0000	—	25.0	BS	2-4-2821-1X	15099	2-4-2791-1
1.1250	1.5520	1.5000	3.0000	.3100	25.0	BS	2-4-2851-1X	330851	2-4-2841-1
1.1250	1.5520	1.5000	3.0000	—	13.0	CV	2-4-4061X	330699	2-4-4051 C-V yoke.
<b>1.1460-26 Involute Spline</b>									
1.1460	1.3750	1.7500	3.1250	—	—	SR			2-4-3161
1.1460	1.4530	1.5000	3.0000	—	30.0	BS	2-4-6411-1X	231877	2-4-6401-1 Coupling shaft yoke
1.1460	1.4530	1.5000	3.0000	—	30.0	BS	2-4-8211-1X	231877	2-4-8201-1
1.1460	1.4670	1.5000	3.0000	—	35.0	BS	2-4-6181-1X	231888	2-4-6171-1 Coupling shaft yoke
1.1460	1.4690	1.4650	3.5000	—	45.0	BS	2-4-8191-1X	231579	2-4-8181-1
1.1460	1.4690	1.4840	3.5000	—	—	BS	2-4-7501-1X	231759	2-4-7491-1 Coupling shaft yoke
1.1460	1.4840	1.4840	3.0000	—	—	BS	2-4-7291-1X	232020	2-4-7401-1 Coupling shaft yoke
1.1460	1.5000	1.4650	3.0000	—	19.5	BS	2-4-8701-1X		2-4-8691-1 Coupling shaft yoke
1.1460	1.5000	1.4690	3.0000	—	28.0	BS			2-4-7021-1
1.1460	1.5000	1.7360	3.2700	—	29.0	BS	2-4-8541-1X	232911-1	Coupling shaft yoke. Hub diameter not ground. 2-4-8531-1
1.1460	1.5130	2.0000	3.3000	—	26.0	SR	2-4-8171X	232184	Coupling shaft yoke. Hub diameter not ground. 2-4-8161
1.1460	1.5520	1.5000	3.0000	—	25.5	BS			Coupling shaft yoke 2-4-7871-1
1.1460	1.5510	1.4720	2.9570	—	—	BS	2-4-8581-1X	232982	2-4-8571-1
1.1460	1.5520	1.4950	2.9950	—	28.5	BS			2-4-6561-1
1.1460	1.5520	1.5000	2.9140	—	—	BS			2-4-8321-1

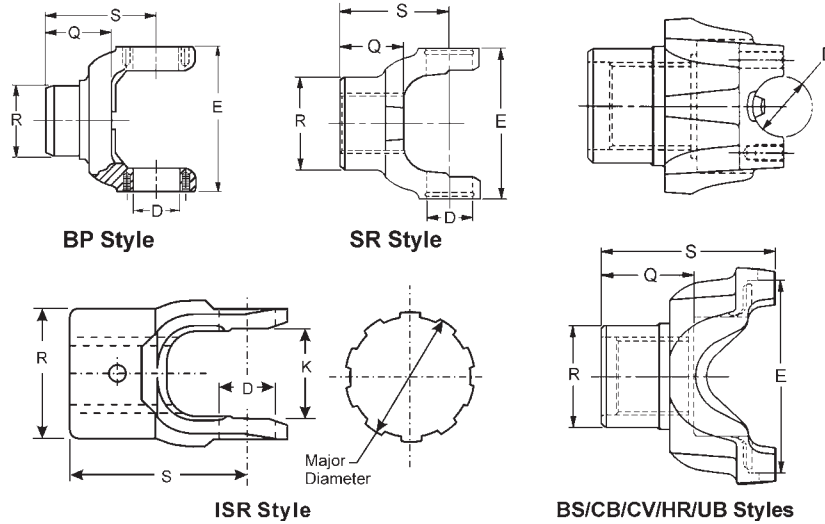


# END YOKES with SPLINED HOLES



Major Diameter	R	Q	S	C'Bore Depth	Joint Angle	Style	End Yoke Assy. (incl. slinger) Order When Listed	Slinger Part Number	Spicer Part Number	
	Ground Hub Dia.	Length Thru Hole	Centerline to End							
<b>1310 SERIES (Continued)</b>			<b>SR: E-3.469 OTHERS E-3.219, D-1.062</b>				<b>USE KIT 5-153X,5-785X,5-810X</b>			
<b>USES U-BOLT ASSY. 2-94-28X, STRAP ASSY. 2-70-18X</b>										
<b>1.1460-26 Involute Spline (Continued)</b>										
1.1460	1.5520	1.5000	2.9140	—	—	BS	2-4-8381-1X	15099	2-4-8321-1	
1.1460	1.5520	1.5000	3.0000	—	13.0	CV			2-4-4341	
									<i>C-V yoke.</i>	
1.1460	1.5520	1.5000	3.0000	—	30.0	BS			2-4-6641-1	
1.1460	1.5520	1.5000	3.0000	—	28.0	BS			2-4-6781-1	
1.1460	1.5520	1.5000	3.0000	—	28.5	BS			2-4-7861-1	
1.1460	1.5520	1.5000	3.0000	—	25.5	UB			2-4-7871	
1.1460	1.5520	1.5000	3.0000	—	22.5	UB	2-4-8091X	41498	2-4-8081	
1.1460	1.5520	1.5000	3.0000	—	22.5	BS	2-4-8091-1X	41498	2-4-8081-1	
1.1460	1.5520	1.5000	3.2500	—	—	BS			2-4-8141-1	
1.1460	1.5520	1.5000	3.4060	—	22.0	UB	2-4-5251X	41498	2-4-5241	
									<i>Spec. yoke w/1.125 dia. brg. caps</i>	
1.1460	1.5540	1.5000	3.1560	—	30.0	BS	2-4-5331X	15099	2-4-5321	
									<i>Attaching hardware by OEM</i>	
1.1460	1.5620	1.5000	3.0000	—	25.0	BS			2-4-2271-1	
1.1460	1.8440	1.3700	3.1300	.1200	26.0	BS			2-4-7991-1	
1.1460	1.8440	1.3700	3.1300	.1200	—	BS	2-4-8551-1X	232816	2-4-8521-1	
1.1460	1.8440	1.3700	3.2350	.1200	—	BS			2-4-8311-1	
1.1460	1.8440	1.3750	2.9380	.1200	22.0	BS			2-4-4601-1	
1.1460	1.8440	1.3750	2.9380	.1200	23.0	BS	2-4-6901-1X	42779	2-4-6891-1	
1.1460	1.8440	1.3750	2.9380	.1200	23.0	BS	2-4-7881-1X	46914	2-4-6891-1	
1.1460	1.8440	1.3750	2.9380	.1200	—	BS			2-4-8131-1	
1.1460	1.8440	1.3750	3.2500	.1200	30.0	BS			2-4-7301-1	
<b>1.1720-27 Involute Spline</b>										
1.1720	1.6880	1.0620	2.7500	—	22.0	BS			2-4-5851-1	
1.1720	1.6880	1.0620	3.0900	—	30.0	BS			2-4-7751-1	
<b>1.1720-9 Based On 10 Spline</b>										
1.1720	1.2500	1.4380	2.4690	—	—	SR			2-4-1921	
									<i>Hub diameter not ground.</i>	
<b>1.1830-6 Spline</b>										
1.1830	1.6200	1.2500	2.9350	—	30.0	UB			2-4-1301	
									<i>.188 Dia drilled hole thru hub</i>	
<b>1.2150-18 Involute Spline</b>										
1.2150	2.1200	1.5000	2.5620	—	31.5	SR			2-4-6301	
									<i>Hub diameter not ground.</i>	
<b>1.2290-28 Involute Spline</b>										
1.2290	1.8440	1.3750	2.9380	.1200	22.0	BS			2-4-3741-1	
1.2290	1.8440	1.3750	2.9380	.1200	22.0	BS	2-4-7371-1X	231935-1	2-4-6161-1	
<b>1.2500-10 Spline</b>										
1.2500	1.7500	2.0000	3.3750	—	13.0	CV	2-4-4021X	230881	2-4-4011	
									<i>C-V yoke.</i>	
1.2500	1.7500	2.0000	3.6250	—	22.0	UB			2-4-1831	
1.2500	1.8750	1.5000	2.9380	—	22.0	BS	2-4-1991-1X	30798	2-4-1981-1	
1.2500	1.8750	1.5000	2.9380	—	22.0	UB	2-4-2611X	230421	2-4-2601	
1.2500	1.8750	1.5000	2.9380	—	22.0	BS	2-4-2611-1X	230421	2-4-2601-1	
1.2500	2.0000	1.7500	3.2810	—	30.0	UB	2-4-4471X	500166-24	2-4-2901	
1.2500	2.0000	1.7500	3.6250	—	33.0	UB			2-4-7061	
1.2500	2.0000	1.7500	3.6250	—	33.0	UB			2-4-7731	
<b>1.2600-23 Involute Spline</b>										
1.2600	1.5620	1.6250	3.0620	—	22.0	BS			2-4-4441-1	
<b>1.2680-14 Involute Spline</b>										
1.2680	2.0000	2.5000	3.6880	—	—	SR			2-4-5411	
									<i>.375 Dia.set screw @ 6 OR 12, hub diameter not ground.</i>	
1.2680	2.1200	1.5000	2.5620	—	17.0	SR			2-4-1741	
1.2680	2.1250	1.9530	3.4530	—	29.0	BS			2-4-7141-1	
<b>1.2740-19 Involute Spline</b>										
1.2740	2.0000	1.3440	2.5000	—	20.0	SR			2-4-6341	
									<i>Hub diameter not ground.</i>	





Major Diameter	R	Q	S	C'Bore Depth	Joint Angle	Style	End Yoke Assy. (incl. slinger) Order When Listed	Slinger Part Number	Spicer Part Number
	Ground Hub Dia.	Length Thru Hole	Centerline to End						

**1310 SERIES (Continued) SR: E-3.469 OTHERS E-3.219, D-1.062 USE KIT 5-153X,5-785X,5-810X**

**USES U-BOLT ASSY. 2-94-28X, STRAP ASSY. 2-70-18X**

**1.2760-29 Involute Spline**

1.2760	1.8750	1.5000	2.5310	—	18.0	UB	2-4-3781X	30798	2-4-3771
1.2760	1.8750	1.5000	2.9380	—	18.0	UB	2-4-3801X	34592	2-4-3791
1.2760	1.8750	1.5000	2.9380	—	18.0	BS	2-4-3801-1X	34592	2-4-3791-1
1.2760	1.8750	1.5000	2.9380	—	22.0	BS	2-4-6551-1X	34592	2-4-6541-1
1.2760	1.8750	1.5000	2.9964	—	—	BS	2-4-8391-1X	34592	2-4-8331-1

**1.3260-30 Involute Spline**

1.3260	1.7500	2.0000	3.3750	—	13.0	CV	2-4-5421X	230881	2-4-4801 C-V yoke.
--------	--------	--------	--------	---	------	----	-----------	--------	-----------------------

**1.3750-10 Spline**

1.3750	1.7190	1.5000	2.9380	—	30.0	UB			2-4-411
1.3750	2.0000	2.0000	3.4380	.2500	20.0	UB			2-4-2371
1.3750	2.0630	1.7500	3.2190	—	21.0	UB			2-4-2671
									<i>Coupling shaft yoke</i>
1.3750	2.1250	1.1560	2.5940	—	22.0	BS			2-4-6001-1
1.3750	2.1250	1.3750	2.9380	—	—	UB			2-4-6011
1.3750	2.1250	1.3750	2.9380	—	24.0	UB			2-4-7151
1.3750	2.1250	1.3750	2.9380	—	24.0	UB			2-4-7381
1.3750	2.1250	2.0000	3.4380	—	22.0	UB			2-4-1731
									<i>Hub diameter not ground.</i>
1.3750	2.1250	2.0000	3.4380	—	20.0	UB	2-4-2411X	230421	2-4-2401
1.3750	2.1250	2.0000	3.4380	—	20.0	BS	2-4-2411-1X	230421	2-4-2401-1
1.3750	2.1250	2.0000	3.4690	—	—	BS			2-4-6671-1

**1.3750-6 Spline**

1.3750	2.1250	1.5000	2.9690	—	—	UB			2-4-1311
--------	--------	--------	--------	---	---	----	--	--	----------

**1.3770-21 Involute Spline**

1.3770	2.1250	1.4690	2.5620	—	17.0	SR			2-4-5781
									<i>Hub diameter not ground.</i>

**1.4010-32 Involute Spline**

1.4010	1.8750	2.0000	3.8750	—	13.0	CV			2-4-5341 C-V yoke.
--------	--------	--------	--------	---	------	----	--	--	-----------------------

**1.4030-21 Involute Spline**

1.4030	1.8750	1.5620	3.0000	—	13.0	CV			2-4-5091
1.4030	2.1250	1.1250	2.5940	—	35.0	BS			<i>Flats on hub, slot thru hub, drilled hole thru hub</i> 2-4-5991-1

**1.4090-10 Involute Spline**

1.4090	1.7500	1.5000	2.9350	—	30.0	UB			2-4-3181
--------	--------	--------	--------	---	------	----	--	--	----------

**1.5000-10 Spline**

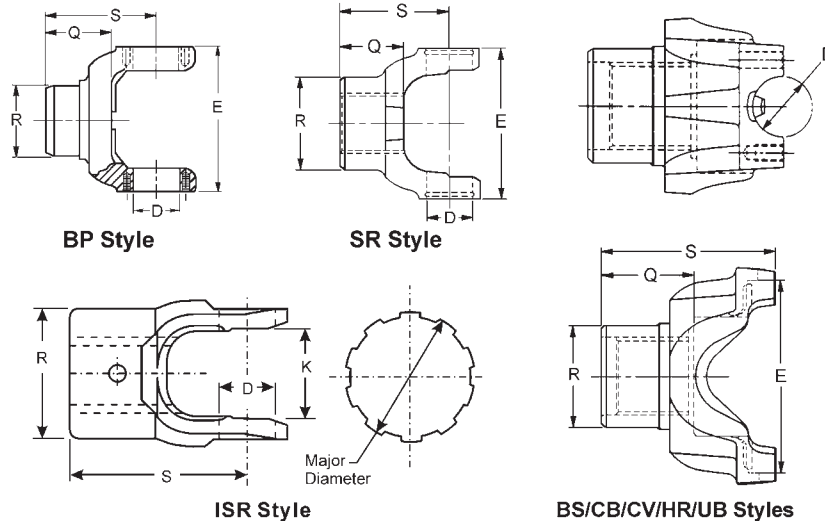
1.5000	2.1250	1.7340	3.5000	—	30.0	BS			2-4-7181-1 <i>Hub diameter not ground.</i>
--------	--------	--------	--------	---	------	----	--	--	---



## END YOKES with SPLINED HOLES

Major Diameter	R	Q	S	C'Bore Depth	Joint Angle	Style	End Yoke Assy. (incl. slinger) Order When Listed	Slinger Part Number	Spicer Part Number	
	Ground Hub Dia.	Length Thru Hole	Centerline to End							
<b>1330 SERIES</b>			<b>SR: E-3.875 OTHERS: E-3.625, D-1.062</b>				<b>USE KIT 5-213X, 5-790X, 5-812X</b>			
<b>USES U-BOLT ASSY. 2-94-28X, STRAP ASSY. 2-70-18X</b>										
<b>1.1460-26 Involute Spline</b>										
1.1460	1.5620	1.5000	3.0000	—	—	BS	2-4-3581-1X	41498	2-4-3571-1 <i>Coupling shaft yoke</i>	
1.1460	1.5620	1.6880	3.1880	—	—	BS			2-4-8431-1	
1.1460	1.8440	1.3750	3.5620	.1200	40.0	BS			2-4-7631-1	
<b>1.2020-17 Involute Spline</b>										
1.2020	1.6880	1.7190	3.1880	.4600	20.0	BS	2-4-5691-1X	231302	2-4-5681-1	
<b>1.2290-28 Involute Spline</b>										
1.2290	1.8440	1.3750	2.9380	.1200	18.0	BS	2-4-7031-1X	231935-1	2-4-6851-1	
<b>1.2760-29 Involute Spline</b>										
1.2760	1.8750	1.5000	2.9380	—	—	BS			2-4-4031-1	
1.2760	1.8750	1.5000	2.9380	—	—	BS	2-4-4291-1X	34592	2-4-4031-1	
1.2760	1.8750	1.5000	2.9380	—	18.5	UB	2-4-8051X	41195	2-4-8041	
1.2760	1.8750	1.5000	2.9380	—	18.5	BS	2-4-8051-1X	41195	2-4-8041-1	
1.2760	1.8750	1.5000	3.1880	—	—	BS			2-4-8421-1	
<b>1.4010-32 Involute Spline</b>										
1.4010	1.8750	2.0000	3.8750	—	13.0	CV			2-4-5441 <i>C-V yoke.</i>	
1.4010	2.1250	2.0000	3.4380	—	20.0	BS			2-4-5521-1	
<b>1.4030-21 Involute Spline</b>										
1.4030	1.9060	1.7190	3.5940	—	35.0	CV			2-4-6221	
1.4030	2.0000	2.5310	4.0620	—	26.0	CV	<i>Flats on hub, slot thru hub, drilled hole thru hub</i>		2-4-6231	
									<i>Hub diameter not ground.</i>	
<b>1330-F SERIES</b>			<b>SR STYLE E-3.875 ALL OTHERS E-3.625 D-1.125</b>				<b>KIT 5-1204X, 5-792X</b>			
<b>USES U-BOLT ASSY NO. 2-94-58X</b>										
<b>1.1460-26 Involute Spline</b>										
1.1460	1.5620	1.5000	3.0000	—	20.0	UB	2-4-6111X	41498	2-4-6101	
<b>1.2760-29 Involute Spline</b>										
1.2760	1.8750	1.5000	2.9380	—	20.0	UB	2-4-5311X	34592	2-4-5301	
<b>1340 SERIES</b>			<b>E-3.953</b>		<b>D-1.250</b>		<b>USE KIT NO. 5-243X</b>			
<b>1.3750-21 Spline</b>										
1.3750	2.3750	1.8750	3.8750	—	—				3-4-5221	
<b>1.3750-6 Spline</b>										
1.3750	2.3750	1.7500	3.8750	—	—				3-4-5341	
1.3750	2.3750	1.8750	3.8750	—	—				3-4-5101	
<b>1350 SERIES</b>			<b>SR: E-3.875 OTHERS: E-3.625, D-1.188</b>				<b>USE KIT 5-178X, 5-799X</b>			
<b>USES U-BOLT ASSY. 3-94-18X, STRAP ASSY. 3-70-28X</b>										
<b>.9700-29 Involute Spline</b>										
.9700	1.5000	1.5000	3.5470	.2990	22.5	BS			3-4-11721-1	
<b>1.1250-10 Spline</b>										
1.1250	1.5520	1.5000	3.0000	—	—	BS			3-4-2111-1	
<b>1.1460-26 Involute Spline</b>										
1.1460	1.5500	1.5000	3.0000	—	20.5	BS			3-4-13761-1	
1.1460	1.5620	1.5000	3.0000	—	20.5	BS	3-4-5761-1X	15099	3-4-5751-1	
<b>1.1810-10 Spline</b>										
1.1810	1.8750	1.6560	3.1250	—	22.0	BS			3-4-2051-1	
<b>1.1940-46 Involute Spline</b>										
1.1940	2.0000	2.2030	3.9380	—	24.0	BS			3-4-9821-1	
<b>1.2090-27 Involute Spline</b>										
1.2090	1.5160	1.4690	3.2500	.2900	—	BS	3-4-11911-1X	232064	3-4-9941-1	
1.2090	1.5160	1.4690	3.3280	.2900	—	BS	3-4-11231-1X	231636	3-4-11221-1	
1.2090	1.5200	1.4750	3.3390	.2900	—	BS	3-4-14571-1X	233001	3-4-14561-1	
<b>1.2290-28 Involute Spline</b>										
1.2290	1.8440	1.3750	3.0310	.1200	20.5	BS	3-4-11931-1X	231935-1	3-4-11901-1	





Major Diameter	R	Q	S	C'Bore Depth	Joint Angle	Style	End Yoke Assy. (incl. slinger) Order When Listed	Slinger Part Number	Spicer Part Number
	Ground Hub Dia.	Length Thru Hole	Centerline to End						

**1350 SERIES (Continued) SR: E-3.875 OTHERS: E-3.625, D-1.188 USE KIT 5-178X, 5-799X**

**USES U-BOLT ASSY.3-94-18X,STRAP ASSY.3-70-28X**

**1.2500-10 Spline**

1.2500	2.1250	1.7500	3.3120	—	19.0	UB			3-4-2781
--------	--------	--------	--------	---	------	----	--	--	----------

**1.2680-14 Involute Spline**

1.2680	—	.0000	2.6880	—	20.0	SR			3-4-13161
--------	---	-------	--------	---	------	----	--	--	-----------

**1.2760-29 Involute Spline**

1.2760	—	1.5000	3.0000	—	—	BS			3-4-14581-1 <i>Coupling shaft yoke</i>
1.2760	1.8100	1.4950	2.9950	—	22.5	BS			3-4-14621-1 <i>Coupling shaft yoke</i>
1.2760	1.8750	1.5000	3.0000	—	22.5	BS			3-4-12211-1
1.2760	1.8750	1.5000	3.0000	—	22.5	BS	3-4-13031-1X	45799	3-4-12771-1
1.2760	1.8750	1.5000	3.0000	—	22.5	BS	3-4-13031-2X	45799	3-4-12771-2
									<i>Attaching hardware by OEM</i>
1.2760	1.8750	1.5000	3.0000	—	—	BS	3-4-14701-1X	52392	3-4-14671-1
1.2760	1.8750	1.5000	3.0000	—	22.5	BS		34592	3-4-5721-1
									<i>Coupling shaft yoke</i>
1.2760	1.8750	1.5000	3.0000	—	22.5	BS	3-4-5731-1X	34592	3-4-5721-1

**1.2820-15 Involute Spline**

1.2820	1.8100	1.4500	3.0300	—	—	BS			3-4-11421-1 <i>Hub diameter not ground.</i>
1.2820	1.8120	1.6000	3.0310	—	—	BS			3-4-11441-1 <i>Hub diameter not ground.</i>
1.2820	1.9700	2.2500	3.8750	—	—	BS			3-4-13601-1 <i>Hub diameter not ground.</i>

**1.2840-14 Involute Spline**

1.2840	2.0000	1.4380	2.6880	—	20.0	SR	3-4-5391X	230859	3-4-5301
1.2840	2.0000	2.6880	2.6880	—	20.0	SR			3-4-7401

*.375 Dia.set screw @ 6 OR 12, hub diameter not ground.*

**1.3120-30 Involute Spline**

1.3120	1.9380	1.1560	3.1250	—	22.0	BS	3-4-8691-1X	231356	3-4-8681-1
--------	--------	--------	--------	---	------	----	-------------	--------	------------

**1.3750-10 Spline**

1.3750	1.7030	1.3750	2.9220	—	20.5	BS			3-4-11711-1
1.3750	1.7190	1.7810	3.2810	—	20.5	BS	3-4-178-1X	98-1473	3-4-2171-1 <i>Coupling shaft yoke</i>
1.3750	1.7190	2.0000	3.5000	—	22.0	BS			3-4-1261-1
1.3750	1.7500	1.8120	3.3120	—	20.5	UB			3-4-1111
1.3750	2.0000	2.0000	3.5000	.2500	22.0	UB			3-4-1211
1.3750	2.0000	2.0000	3.5000	.2500	22.0	BS			3-4-1211-1
1.3750	2.0000	2.1880	4.2810	.2500	22.0	UB			3-4-1371
1.3750	2.1250	2.0000	3.6880	—	22.5	BS			3-4-3291-1

