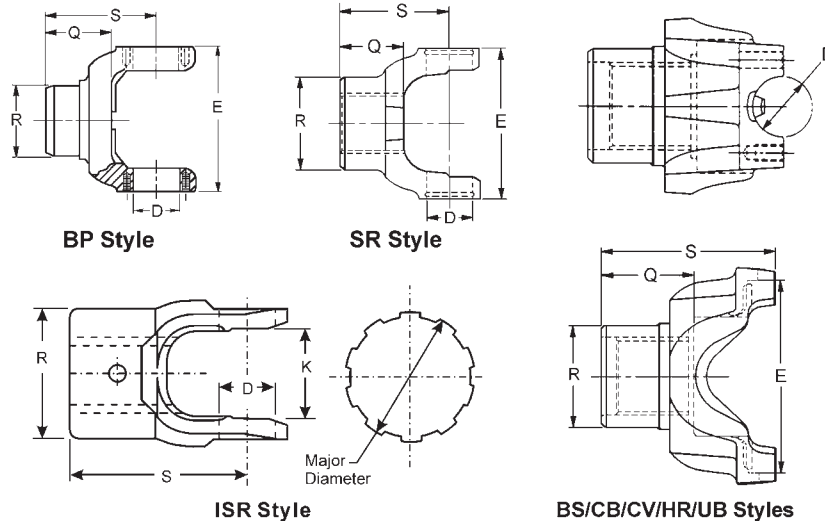


END YOKES with SPLINED HOLES



Major Diameter	R	Q	S	C Bore Depth	Joint Angle	Style	End Yoke Assy. (incl. slinger) Order When Listed	Slinger Part Number	Spicer Part Number	
	Ground Hub Dia.	Length Thru Hole	Centerline to End							
1350 SERIES (Continued)			SR: E-3.875 OTHERS: E-3.625, D-1.188				USE KIT 5-178X, 5-799X			
USES U-BOLT ASSY.3-94-18X,STRAP ASSY.3-70-28X										
1.3750-10 Spline										
1.3750	1.7500	1.8120	3.3120	—	—	BS			3-4-1111-1	
1.3750	2.1250	2.0000	3.5000	—	22.5	BS			3-4-3951-1	
1.3780-31 Based On 32 Spline										
1.3780	1.8850	4.0940	5.5940	—	22.5	BS			3-4-13211-1 <i>Uses GM brg. strap</i>	
1.3780	1.8850	4.0940	5.5940	—	22.5	BS			3-4-13731-1 <i>Uses GM brg. strap</i>	
1.3780-32 Involute Spline										
1.3780	2.0000	1.3750	3.0000	—	—	SR			3-4-12611	
1.4010-32 Involute Spline										
1.4010	2.1250	2.0000	3.5000	—	22.0	BS			3-4-6211-1	
1.4010	2.1250	2.7190	4.7500	—	—	UB			3-4-7241	
1.4010	2.1250	2.7190	4.7500	—	—	BS			3-4-7241-1	
1.4030-21 Involute Spline										
1.4030	1.9380	1.9380	3.8440	—	—	BS	3-4-13011-1X	2-68-104	3-4-13001-1	
1.4030	2.0000	1.2340	2.9530	—	—	BS			3-4-10591-1	
1.4980-29 Involute Spline										
1.4980	1.9690	1.8280	3.9220	—	22.0	BS			3-4-10281-1	
1.4980	1.9690	2.8370	4.9840	1.0260	—	BS			3-4-12461-1	
1.5000-10 Spline										
1.5000	1.8100	2.0000	3.6950	—	22.5	BS			3-4-13881-1 <i>Coupling shaft yoke. Hub diameter not ground.</i>	
1.5000	2.2500	2.0000	3.5000	—	22.0	BS			3-4-1441-1	
1.5000	2.2500	2.0630	3.5300	—	22.0	BS			3-4-1501-1	
1.5000	2.2500	2.1880	3.8750	—	18.0	UB	3-4-3671X	230386	3-4-2231	
1.5000	2.5000	2.0000	3.7660	.5400	22.5	BS			3-4-8511-1	
1.5110-14 Involute Spline										
1.5110	2.1250	2.5310	4.5000	—	30.0	BS			3-4-8501-1	
1.5110	2.3750	1.8280	3.3120	—	30.0	BS			3-4-8491-1	
1.6250-10 Spline										
1.6250	2.3750	2.1250	3.9690	—	18.0	UB	3-4-9001X	230895	3-4-3931	
1.6250	2.3750	2.1250	3.9690	—	18.0	BS	3-4-9001-1X	230895	3-4-3931-1	
1.7500-10 Spline										
1.7500	2.3750	1.8120	3.5000	—	—	BS			3-4-3801-1	
1.7500	2.3750	2.1880	4.0000	—	20.0	BS			3-4-2351-1	
1.7510-27 Involute Spline										
1.7510	2.2500	1.4380	2.9690	—	22.0	UB			3-4-5151	
1410 SERIES			SR: E-4.438 OTHERS: E-4.188, D-1.188				USE KIT 5-160X, 5-801X			
USES U-BOLT ASSY, 3-94-18X, STRAP KIT 3-70-28X										
1.2500-10 Spline										
1.2500	1.8750	1.5000	3.1880	—	22.0	BS	3-4-4451-1X	30798	3-4-4441-1	
1.2600-23 Involute Spline										
1.2600	1.5650	1.6090	3.5620	.3600	30.0	BS			3-4-10941-1	
1.2680-14 Involute Spline										
1.2680	1.5160	1.7500	2.7500	—	21.0	SR			3-4-5321 <i>Hub diameter not ground.</i>	
1.2680	2.2500	2.1250	4.0310	—	30.0	BS	3-4-9561-1X	500175-2	3-4-9551-1 <i>W/plug</i>	
1.2680	2.3750	2.2500	4.0310	—	23.0	BS			3-4-7721-1 <i>.375 Dia.set screw @ 6 OR 12, hub diameter not ground.</i>	
1.2760-29 Involute Spline										
1.2760	1.8100	1.5000	3.2000	—	—	BS			3-4-14591-1 <i>Coupling shaft yoke</i>	
1.2760	1.8740	1.4200	3.1850	—	22.5	BS	3-4-11891-1X	34592	3-4-11851-1	
1.2760	1.8750	1.5000	3.1880	—	22.5	BS	3-4-5711-1X	34592	3-4-5701-1	





Major Diameter	R	Q	S	C'Bore Depth	Joint Angle	Style	End Yoke Assy. (incl. slinger) Order When Listed	Slinger Part Number	Spicer Part Number
	Ground Hub Dia.	Length Thru Hole	Centerline to End						

1410 SERIES (Continued) SR: E-4.438 OTHERS: E-4.188, D-1.188 USE KIT 5-160X, 5-801X

USES U-BOLT ASSY, 3-94-18X, STRAP KIT 3-70-28X

1.2760-29 Involute Spline (Continued)

1.2760	1.8750	1.5000	3.1880	—	30.0	BS			3-4-8731-1
1.2760	1.8750	1.5000	3.2000	—	—	BS	3-4-14711-1X	52392	3-4-14681-1

1.3750-10 Spline

1.3750	1.7190	1.7810	3.4690	—	30.0	BS	3-4-2851-1X	98-1473	3-4-2841-1 <i>Hub diameter not ground.</i>
1.3750	1.7190	2.0000	3.7030	—	30.0	UB			3-4-1471
1.3750	1.7500	2.0000	3.6880	—	30.0	BS	3-4-5331-1X	230118	3-4-2931-1 <i>Hub diameter not ground.</i>
1.3750	1.8750	1.6880	3.5000	—	24.0	BS	3-4-12541-1X		3-4-12531-1 <i>W/plug</i>
1.3750	1.9380	2.0000	3.6880	—	30.0	BS			3-4-1481-1
1.3750	2.1250	2.0000	3.6850	—	30.0	BS			3-4-2271-1
1.3750	2.5000	1.9380	5.7500	—	23.0	BS			3-4-7141

Flanged end yoke, strap kit not furnished by Dana

1.3750-32 Involute Spline

1.3750	1.8860	2.0000	3.6750	—	—	BS			3-4-13511-1 <i>Uses GM brg. strap</i>
--------	--------	--------	--------	---	---	----	--	--	--

1.3830-21 Involute Spline

1.3830	2.6250	3.3120	4.6410	1.1900	25.0	BS			3-4-11471-1
--------	--------	--------	--------	--------	------	----	--	--	-------------

1.4000-32 Involute Spline

1.4000	2.1250	2.0000	3.6880	—	30.0	BS			3-4-10951-1
--------	--------	--------	--------	---	------	----	--	--	-------------

1.4980-29 Involute Spline

1.4980	1.9690	1.8280	3.9380	—	30.0	BS			3-4-10571-1
1.4980	2.0000	1.6090	3.6880	—	30.0	BS			3-4-10931-1

1.5000-10 Spline

1.5000	1.8120	2.0000	3.7190	—	24.0	UB	3-4-6631X	231004	3-4-6561 <i>Coupling shaft yoke</i>
1.5000	1.8120	2.0000	3.7190	—	24.0	BS			3-4-6561-1 <i>Coupling shaft yoke</i>
1.5000	1.8120	2.0000	3.7190	—	24.0	BS			3-4-6561-2 <i>Coupling shaft yoke. Attaching hdwr by OEM</i>
1.5000	2.1250	2.0000	3.6880	.2500	30.0	BS			3-4-1901-1
1.5000	2.1250	2.0000	3.6880	—	30.0	BS			3-4-3961-1
1.5000	2.1250	2.1880	3.8750	—	30.0	UB			3-4-6531
1.5000	2.2500	1.7500	3.7500	—	24.0	BS			3-4-1911-1
1.5000	2.2500	2.1880	3.8750	—	22.0	BS			3-4-2241-1
1.5000	2.3125	2.0000	3.6880	—	30.0	BS	3-4-7321-1X		3-4-2941-1
1.5000	2.4060	2.0000	3.6880	—	24.0	UB			3-4-6751
1.5000	2.6250	2.0000	3.8440	—	30.0	BS			3-4-10551-1 <i>Coupling shaft yoke</i>

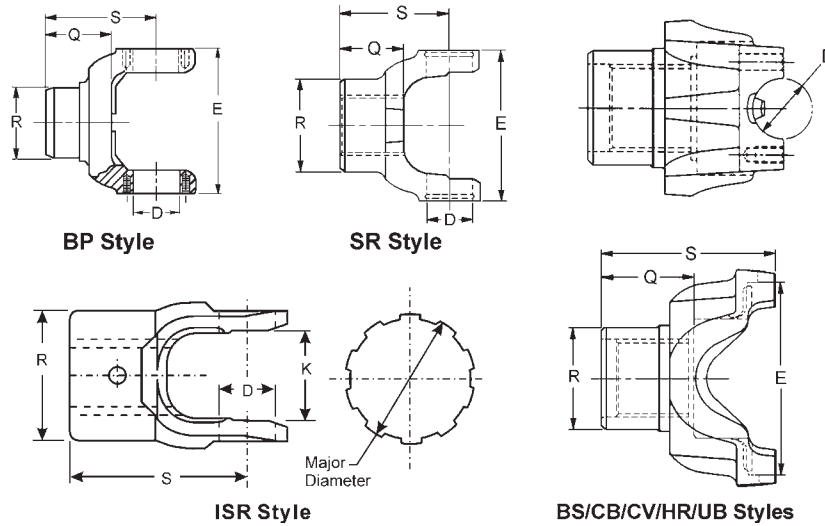


END YOKES with SPLINED HOLES



Major Diameter	R	Q	S	C Bore Depth	Joint Angle	Style	End Yoke Assy. (incl. slinger) Order When Listed	Slinger Part Number	Spicer Part Number	
	Ground Hub Dia.	Length Thru Hole	Centerline to End							
1410 SERIES (Continued)			SR: E-4.438 OTHERS: E-4.188, D-1.188				USE KIT 5-160X, 5-801X			
USES U-BOLT ASSY, 3-94-18X, STRAP KIT 3-70-28X										
1.5000-10 Involute Spline										
1.5000	1.8100	2.0000	3.6900	—	30.0	BS			3-4-13871-1	
								<i>Coupling shaft yoke. Hub diameter not ground.</i>		
1.5060-23 Involute Spline										
1.5060	2.3750	1.4060	3.5000	.2400	28.5	BS			3-4-11811-1	
1.5110-14 Involute Spline										
1.5110	1.5470	2.5310	3.8280	.4400	25.0	BS			3-4-11491-1	
1.5250-35 Involute Spline										
1.5250	2.1250	2.0000	3.6880	—	30.0	BS			3-4-5191-1	
1.5250	2.5000	1.9380	3.7500	—	29.5	BS			3-4-9251-2	
								<i>Attaching hardware by OEM</i>		
1.5250	2.5000	1.9380	5.7500	—	23.0	BS			3-4-7151	
								<i>Flanged end yoke, strap kit not furnished by Dana</i>		
1.5270-22 Based On 23 Spline										
1.5270	1.8890	2.6770	4.4250	.0800	30.0	BS			3-4-10121-1	
1.5270	1.8890	2.6780	4.4250	.0800	30.0	BS			3-4-11741-1	
1.5270	1.8900	1.6140	3.5000	—	30.0	BS			3-4-10231-1	
1.5270	1.8900	1.6050	3.5000	—	30.0	BS			3-4-11591-1	
1.5880-24 Involute Spline										
1.5880	2.2500	2.1250	4.0000	.4700	30.0	BS	3-4-11701-1X	3-68-124	3-4-8701-1	
1.5900-30 Involute Spline										
1.5900	2.1880	1.6250	3.7190	—	26.0	BS	3-4-8001-1X	232037	3-4-7991-1	
1.6090-15 Involute Spline										
1.6090	2.1250	1.9380	3.7500	—	30.0	BS			3-4-7311-1	
1.6090-37 Involute Spline										
1.6090	2.5000	2.0000	4.3000	.2400	22.5	BS	3-4-14381-1X	232973	3-4-14371-1	
1.6090	2.5000	2.0000	4.3000	.2400	22.5	BS	3-4-14391-1X	232895	3-4-14371-1	
1.6090	2.5000	2.0000	4.3000	.2400	22.5	BS	3-4-14721-1X	84406	3-4-14371-1	
1.6090	2.5000	2.0000	4.3120	.2400	22.0	BS	3-4-13311-1X	231872	3-4-13301-1	
1.6090	2.5000	2.0000	4.3120	.2400	22.0	BS	3-4-11081-1X	231872	3-4-9931-1	
1.6250-10 Spline										
1.6250	2.3750	2.1250	3.9380	—	24.0	BS			3-4-3491-1	
1.6250	2.3750	2.1250	4.1880	—	30.0	BS	3-4-5921-1X	230895	3-4-2131-1	
1.6500-16 Involute Spline										
1.6500	2.3750	2.0000	3.8120	—	30.0	UB			3-4-2281	
1.7500-10 Spline										
1.7500	2.2500	2.1880	4.1880	—	30.0	UB			3-4-3351	
1.7500	2.3590	2.0940	4.2030	—	25.0	BS			3-4-11761-1	
1.7500	2.3750	1.9380	3.9690	—	30.0	BS			3-4-8031-1	
1.7500	2.3750	2.1880	4.1880	—	30.0	BS			3-4-1161-1	
1.7500	2.3750	2.1880	4.1880	—	30.0	BS			3-4-1841-1	
1.7500	2.5000	1.9380	5.7500	—	23.0	BS			3-4-7131	
								<i>Flanged end yoke, strap kit not furnished by Dana</i>		
1.7500	2.5000	2.2500	4.0630	—	30.0	BS	3-4-5741-1X	565-W	3-4-2821-1	
1.7500	2.5010	2.0000	4.0000	.2500	28.0	BS			3-4-13911-1	
1.7500	2.6250	2.1880	4.0000	—	29.0	BS	3-4-5881-1X	230909	3-4-3041-1	
								<i>.250 deep spline chamfer</i>		
1.7500	2.6250	2.1880	4.2500	—	28.0	BS			3-4-2511-1	
								<i>.250 deep spline chamfer</i>		
1.7500	2.6250	2.1880	4.2500	—	28.0	BS			3-4-7031-1	
1.7510-27 Involute Spline										
1.7510	2.6250	1.4380	3.4650	—	30.0	BS			3-4-10541-1	
1.7740-34 Involute Spline										
1.7740	2.5000	2.2500	4.1880	—	24.0	UB	3-4-8061X	231206	3-4-7551	
1.7840-27 Involute Spline										
1.7840	2.6250	2.0000	4.0000	—	—	BS			3-4-8721-1	
								<i>Flanged end yoke.</i>		





Major Diameter	R	Q	S	C'Bore Depth	Joint Angle	Style	End Yoke Assy. (incl. slinger) Order When Listed	Slinger Part Number	Spicer Part Number
	Ground Hub Dia.	Length Thru Hole	Centerline to End						
1410 SERIES (Continued)			SR: E-4.438 OTHERS: E-4.188, D-1.188			USE KIT 5-160X, 5-801X			
USES U-BOLT ASSY, 3-94-18X, STRAP KIT 3-70-28X									
1.7900-34 Involute Spline									
1.7900	2.6250	2.1880	4.0310	—	24.5	BS	3-4-10461-1X	232039	3-4-10251-1
1.7900	2.6250	2.1880	4.0310	—	24.5	BS	3-4-13041-1X	232036	3-4-10251-1
1.8780-14 Involute Spline									
1.8780	2.5640	2.0150	4.2190	—	30.0	UB			3-4-8071
1.8780	2.5640	2.0150	4.2190	—	30.0	BS			3-4-8071-1
1.9720-10 Spline									
1.9720	2.5940	1.8440	3.9690	—	25.0	BS			3-4-2251-1
1440 SERIES			K-2.828		D-1.312		USE KIT NO. 5-431X		
1.3750-6 Spline									
1.3750	2.9900	2.0000	4.2500	—	—				3-4-4-91
1.7500-21 Involute Spline									
1.7500	2.9900	2.2000	4.3100	—	—				3-4-4-361
1480 SERIES			SR: E-4.438 OTHERS: E-4.188, D-1.375			USE KIT 5-188X, 5-803X			
USES U-BOLT ASSY NO.3-94-28X,STRAP ASSY. 3-70-38X									
1.2760-29 Involute Spline									
1.2760	1.8750	1.5000	3.5000	—	22.5	BS	3-4-13391-1X	34592	3-4-9531-1
1.3750-10 Spline									
1.3750	2.1250	2.0000	3.8590	—	—	SR			3-4-13021
1.3750	2.1250	2.0000	4.0310	—	22.0	UB			3-4-6701
1.5000-10 Spline									
1.5000	1.8100	2.0000	4.0250	—	22.5	BS			3-4-13921-1
<i>Coupling shaft yoke. Hub diameter not ground.</i>									
1.5000	1.8100	2.0000	4.0310	—	30.0	BS	3-4-7391-1X	231004	3-4-6901-1
1.5000	1.8100	2.0000	4.0310	—	30.0	BS			3-4-6901-2
<i>Attaching hardware by OEM</i>									
1.5000	1.9380	2.0000	4.0310	—	30.0	BS	3-4-4421-1X	230124	3-4-3091-1
<i>Coupling shaft yoke</i>									
1.5000	2.1250	2.0000	4.2190	.2500	35.0	BS			3-4-3111-1
1.5000	2.1250	2.1200	3.6600	—	22.0	BS			3-4-7781
<i>Flanged end yoke.</i>									
1.5000	2.1250	2.1880	4.2500	—	22.0	UB	3-4-6261X	230895	3-4-6251
1.5000	2.2500	2.0000	4.7190	—	37.0	UB			3-4-3851
1.5000	2.2500	2.1880	4.4060	—	32.0	BS			3-4-3241-1
1.5060-23 Involute Spline									
1.5060	2.3750	1.4030	3.5000	.2400	22.5	BS			3-4-14031-1

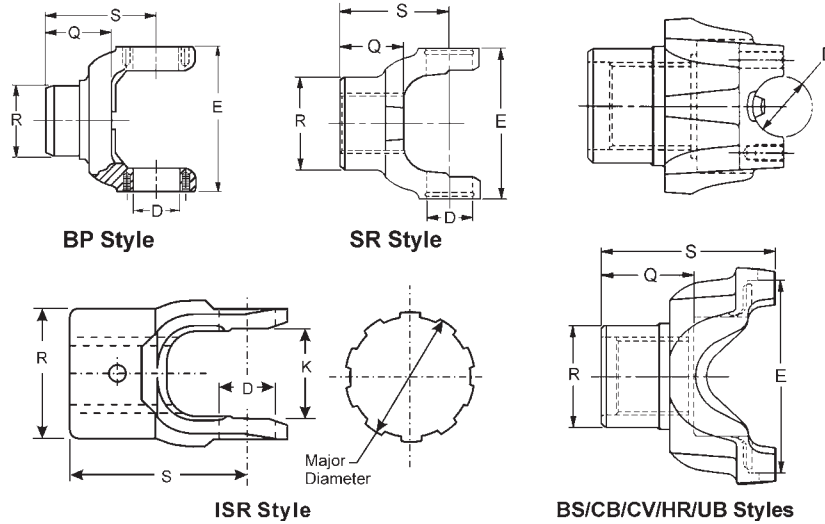


END YOKES with SPLINED HOLES



Major Diameter	R	Q	S	C'Bore Depth	Joint Angle	Style	End Yoke Assy. (incl. slinger) Order When Listed	Slinger Part Number	Spicer Part Number	
	Ground Hub Dia.	Length Thru Hole	Centerline to End							
1480 SERIES (Continued)			SR: E-4.438 OTHERS: E-4.188, D-1.375				USE KIT 5-188X, 5-803X			
USES U-BOLT ASSY NO.3-94-28X,STRAP ASSY. 3-70-38X										
1.5250-35 Involute Spline										
1.5250	2.5000	1.9380	5.7500	—	16.0	UB			3-4-7161 <i>Flanged end yoke.</i>	
1.5330-17 Involute Spline										
1.5330	2.1200	1.9500	4.0000	—	—	BS			3-4-13791-1	
1.6050-15 Involute Spline										
1.6050	2.1250	1.9380	4.0000	—	22.5	BS			3-4-9301-1	
1.6090-37 Involute Spline										
1.6090	2.5000	2.0000	4.3280	.2400	22.5	BS	3-4-11281-1X	231872	3-4-11171-1	
1.6090	2.5000	2.0000	4.3280	.2400	22.5	BS	3-4-14731-1X	84406	3-4-11171-1	
1.6250-10 Spline										
1.6250	2.3750	2.1250	4.1880	—	28.0	BS	3-4-5781-1X	230895	3-4-3141-1	
1.6250-26 Involute Spline										
1.6250	1.9380	2.0000	4.6880	—	—	UB			3-4-9031	
1.7500-10 Spline										
1.7500	2.2500	2.1880	4.2500	—	22.0	BS	3-4-6241-1X	230895	3-4-6231-1	
1.7500	2.2500	2.1880	4.4060	—	35.0	BS			3-4-7361-1	
1.7500	2.3750	1.9380	3.9690	—	—	UB			3-4-8041	
1.7500	2.3750	2.1880	4.2190	—	22.0	BS			3-4-3191-1	
1.7500	2.3750	2.1880	4.2190	—	22.0	BS			3-4-3571-1	
1.7500	2.5000	1.9220	3.8590	—	22.0	UB			3-4-5911	
1.7500	2.5000	1.9220	5.1090	—	30.0	BS			3-4-11561-1	
1.7500	2.5000	1.9380	4.0000	—	25.0	BS			<i>Flanged end yoke, strap kit not furnished by Dana</i> 3-4-11871-2	
1.7500	2.5000	1.9380	5.7500	—	16.0	BS			<i>Attaching hardware by OEM</i> 3-4-7171	
1.7500	2.5000	1.9530	4.0000	—	27.0	BS			<i>Flanged end yoke, strap kit not furnished by Dana</i> 3-4-9271-1	
1.7500	2.5000	1.9530	4.0000	—	27.0	BS			3-4-9271-2	
1.7500	2.5000	2.2500	4.2810	—	30.0	BS			<i>Attaching hardware by OEM</i> 3-4-6411-1	
1.7500	2.6250	1.9380	3.7190	—	22.0	BS			3-4-7771	
1.7500	2.6250	1.9380	3.9690	—	22.0	UB			<i>Flanged, Attching hardware by OEM</i> 3-4-4051	
1.7500	2.6250	2.1880	4.2810	—	30.0	BS	3-4-5811-1X	230909	3-4-3391-1	
1.7500	2.6250	2.1880	4.7500	—	24.5	BS			<i>.250 deep spline chamfer</i> 3-4-10301-1	
1.7500	2.6250	2.2030	4.2660	—	22.0	BS			<i>Flanged yoke w/.250 deep spline chamfer</i> 3-4-11801-1	
1.7500	2.6250	2.2500	4.2810	—	23.0	BS	3-4-5791-1X	230909	<i>.250 deep spline chamfer</i> 3-4-3061-1	
1.7500	2.6250	2.2500	4.2810	—	22.0	UB			<i>.250 deep spline chamfer</i> 3-4-3541	
1.7500	2.6250	2.2500	4.4690	—	25.0	BS			3-4-3121-1	
1.7500	2.7500	2.2500	4.2810	—	22.0	UB			3-4-3891	
1.7500	2.7500	2.2500	4.2810	.5000	22.5	UB			3-4-9621	
1.7510-27 Involute Spline										
1.7510	2.2500	1.4530	3.5310	—	22.5	UB			3-4-6011	
1.7510	2.5000	2.0630	4.1250	—	30.0	BS			3-4-11181-1	
1.7510	2.5000	3.0000	4.9220	—	23.5	BS			3-4-10081-1	
1.7510	2.6250	2.2810	4.2500	—	30.0	BS			3-4-11161-1	
1.7510	3.0000	2.4690	4.5000	.4900	24.5	BS			3-4-9981-1	
1.7550-13 Involute Spline										
1.7550	2.5000	2.2500	4.2810	—	30.0	UB			3-4-7001	
1.7740-34 Spline										
1.7740	2.5000	2.2500	4.4690	—	29.0	BS	3-4-8051-1X	231206	3-4-7541-1	
1.7740	2.5000	2.2500	4.4690	—	29.0	BS			3-4-7541-2	
									<i>Attaching hardware by OEM</i>	





Major Diameter	R	Q	S	C'Bore Depth	Joint Angle	Style	End Yoke Assy. (incl. slinger) Order When Listed	Slinger Part Number	Spicer Part Number
	Ground Hub Dia.	Length Thru Hole	Centerline to End						

1480 SERIES (Continued) SR: E-4.438 OTHERS: E-4.188, D-1.375 USE KIT 5-188X, 5-803X

USES U-BOLT ASSY NO.3-94-28X,STRAP ASSY. 3-70-38X

1.7900-34 Involute Spline

1.7900	2.3750	2.1880	4.2190	—	22.0	BS	3-4-12101-1X	232198	3-4-12091-1
1.7900	2.5620	2.7500	5.1250	—	30.0	BS	3-4-9241-1X	231059	3-4-9231-1
1.7900	2.5620	2.7500	5.1250	—	30.0	BS	3-4-9241-2X	231059(PLUG)	3-4-9231-2
<i>Attaching hardware by OEM</i>									
1.7900	2.5620	2.7500	5.5620	—	16.0	BS	3-4-7261-1X	231059	3-4-7251-1
<i>Flanged end yoke, strap kit not furnished by Dana</i>									
1.7900	2.5670	2.7500	4.8850	—	19.0	BS	3-4-11621-1X	231059	3-4-11551-1
<i>Flanged end yoke, strap kit not furnished by Dana</i>									
1.7900	2.6250	2.1880	4.2810	—	25.0	UB	3-4-10471X	232039	3-4-10261
1.7900	2.6250	2.1880	4.2810	—	25.0	BS			3-4-10261-1
1.7900	2.6250	2.1880	4.2810	—	25.0	BS	3-4-10471-1X	232039	3-4-10261-1
1.7900	2.6250	2.1880	4.2810	—	25.0	BS	3-4-11921-1X	231935	3-4-10261-1

1.8750-10 Spline

1.8750	2.7500	2.3750	4.4060	—	22.0	BS	3-4-6671-1X	230900	3-4-3901-1
--------	--------	--------	--------	---	------	----	-------------	--------	------------

1.9220-14 Involute Spline

1.9220	2.3750	2.1880	4.4380	—	35.0	BS			3-4-11071-1
1.9220	2.3750	2.1880	4.4380	—	25.0	BS			3-4-7571-1

1.9640-10 Spline

1.9640	2.5000	2.0000	4.6880	—	37.0	UB			3-4-4211
--------	--------	--------	--------	---	------	----	--	--	----------

1.9690-10 Spline

1.9690	2.6250	2.2500	4.4060	—	22.0	UB	3-4-5821-1X	230897	3-4-3861-1
<i>.250 deep spline chamfer</i>									

1.9720-10 Spline

1.9720	2.5940	1.8590	4.5000	—	35.0	BS			3-4-5441-1
--------	--------	--------	--------	---	------	----	--	--	------------

1.9980-38 Involute Spline

1.9980	2.7500	2.0000	3.9060	—	23.5	BS			3-4-8931-2
<i>Attaching hardware by OEM</i>									
1.9980	2.7500	2.1250	4.1560	—	25.0	BS			3-4-8781-1
1.9980	3.0000	2.1250	4.2810	—	25.0	BS	3-4-12121-1X	232200	3-4-12111-1

2.0240-39 Involute Spline

2.0240	2.6250	2.2500	4.3440	—	20.0	BS	3-4-11061-1X	232039	3-4-11051-1
2.0240	2.6250	2.2500	4.3440	.2500	20.0	BS	3-4-13061-1X	232167	3-4-13051-1
2.0240	3.0000	1.8320	3.8780	.2500	19.0	BS	3-4-14791-1X	232511	3-4-14781-1
2.0240	3.0000	1.8320	3.8780	.250	19.0	BS	3-4-14841-1X	233051	3-4-14781-1
2.0240	3.0000	2.2810	4.3440	.2500	20.0	BS	3-4-13081-1X	232511	3-4-13071-1

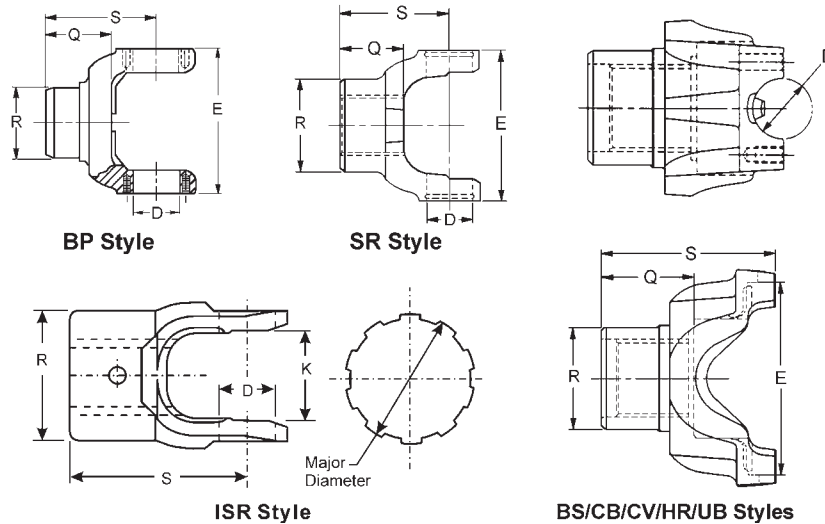
2.1140-32 Involute Spline

2.1140	3.0000	2.2500	4.2810	.4240	18.0	BS	3-4-13351-1X	232200	3-4-13341-1
--------	--------	--------	--------	-------	------	----	--------------	--------	-------------



Major Diameter	R	Q	S	C Bore Depth	Joint Angle	Style	End Yoke Assy. (incl. slinger) Order When Listed	Slinger Part Number	Spicer Part Number
	Ground Hub Dia.	Length Thru Hole	Centerline to End						
1550 SERIES			E-5.250		D-1.375		USE KIT 5-155X, 5-808X		
USES U-BOLT ASSY. 3-94-28X, STRAP ASSY. 3-70-38X									
1.5000-10 Spline									
1.5000	2.3125	2.0000	3.7750	—	22.0	BS			4-4-2051-1 <i>Coupling shaft yoke</i>
1.5000	2.5625	2.0000	3.8120	—	22.5	UB			4-4-4211 <i>Coupling shaft yoke</i>
1.5000	2.5625	2.0000	3.8120	—	22.5	BS			4-4-4211-1 <i>Coupling shaft yoke</i>
1.5000	2.5625	2.0000	3.8120	—	22.5	BS			4-4-4211-2 <i>Coupling shaft yoke. Attaching hdwr by OEM</i>
1.6050-15 Involute Spline									
1.6050	2.1250	1.9380	4.0000	—	22.5	BS			4-4-5601-1
1.6050	2.1250	1.9530	4.0000	—	22.5	BS			4-4-6331-1
1.6090-37 Involute Spline									
1.6090	2.5000	2.0160	4.4060	.2400	31.5	BS	4-4-6851-1X	231872	4-4-6841-1
1.6250-10 Spline									
1.6250	2.3750	2.1250	3.9380	—	12.5	BS			4-4-1921-1
1.6250	2.3750	2.1250	4.5310	—	35.0	UB			4-4-2151
1.6250	2.7500	1.7500	3.7500	—	21.5	BS			4-4-5571-1
1.7500-10 Spline									
1.7500	2.2500	2.1880	4.0000	—	22.0	BS			4-4-2171-2 <i>Attaching hardware by OEM</i>
1.7500	2.3750	2.1850	4.0000	—	21.5	BS			4-4-5371-1
1.7500	2.3750	2.1880	4.0000	—	22.0	BS			4-4-2041-1
1.7500	2.3750	2.2500	4.2810	—	22.0	BS			4-4-5111-1
1.7500	2.5000	1.9150	4.1150	—	22.5	BS			4-4-6791-1
1.7500	2.5000	1.9150	4.1150	—	22.5	BS			4-4-6791-2 <i>Attaching hardware by OEM</i>
1.7500	2.5000	1.9380	4.1250	—	21.0	BS			4-4-4781-1
1.7500	2.5000	1.9380	4.1250	—	21.0	BS			4-4-4781-2 <i>Attaching hardware by OEM</i>
1.7500	2.5000	2.0000	4.1250	—	—	BS			4-4-4171-1
1.7500	2.5000	2.0000	5.7500	—	22.5	BS	4-4-7861-1X		4-4-7421-1 <i>Flanged end yoke.</i>
1.7500	2.5000	2.2500	4.1880	—	22.0	BS			4-4-2511-1
1.7500	2.5000	2.2600	4.2900	—	22.5	BS			4-4-5251-1
1.7500	2.5310	1.8440	3.8750	—	22.0	BS			4-4-7391-1
1.7500	2.6250	1.9380	4.6720	—	35.0	BS	4-4-5901-2X	230909	4-4-5881-2 <i>Attaching hardware by OEM</i>
1.7500	2.6250	2.1880	4.2810	—	21.0	BS			4-4-3841-1
1.7500	2.6250	2.2340	4.6720	—	34.5	BS	4-4-3581-1X	230909	4-4-1901-1 <i>.250 deep spline chamfer</i>
1.7500	2.6250	2.2500	4.2810	—	20.0	BS			4-4-1931-1
1.7500	2.6250	2.2500	4.2810	—	22.0	BS			4-4-2091-1
1.7500	2.7500	2.2450	4.6520	—	21.0	BS			4-4-3811-1
1.7500	2.7500	2.2500	4.8120	—	34.0	BS			4-4-5721-1
1.7510-27 Involute Spline									
1.7510	2.5000	2.0940	4.1250	—	22.5	BS			4-4-6141-1
1.7510	2.7500	2.4000	4.2500	—	22.5	BS			4-4-5991-1 <i>.250 deep spline chamfer</i>
1.7510	2.7500	2.4380	4.5160	—	24.5	BS	4-4-7371-1XM	232372	4-4-7361-1M
1.7550-13 Involute Spline									
1.7550	2.3750	2.2500	4.0310	—	22.0	BS			4-4-2931-1
1.7550	2.3750	2.2500	4.0630	—	22.5	UB	4-4-5241X	500169-4	4-4-5231 <i>Hub diameter not ground.</i>
1.7550	2.3750	2.2500	4.0630	—	22.5	BS	4-4-5241-1X	500169-4	4-4-5231-1 <i>Hub diameter not ground.</i>
1.7740-34 Spline									
1.7740	2.5000	2.2600	4.7000	—	34.5	BS	4-4-4111-1X	231206	4-4-4101-1





Major Diameter	R	Q	S	C'Bore Depth	Joint Angle	Style	End Yoke Assy. (incl. slinger) Order When Listed	Slinger Part Number	Spicer Part Number
	Ground Hub Dia.	Length Thru Hole	Centerline to End						
1550 SERIES (Continued)			E-5.250	D-1.375	USE KIT 5-155X, 5-808X				

USES U-BOLT ASSY. 3-94-28X, STRAP ASSY. 3-70-38X

1.7900-34 Involute Spline

1.7900	2.3750	2.2000	4.0000	—	21.5	BS	4-4-6961-1X	232198	4-4-6951-1
1.7900	2.5620	2.7500	5.1560	—	22.5	BS	4-4-4801-1X	231059(PLUG)	4-4-4791-1
1.7900	2.5620	2.7500	5.1560	—	22.5	BS	4-4-4801-2X	231059 (PLUG)	4-4-4791-2
<i>Attaching hardware by OEM</i>									
1.7900	2.5620	2.7500	5.5310	—	22.5	BS	4-4-7871-1X	231059 (PLUG)	4-4-7431-1
<i>Flanged end yoke.</i>									
1.7900	2.5620	2.7900	5.1250	—	21.5	BS	4-4-3861-1X	231059(PLUG)	4-4-3851-1
1.7900	2.6250	2.1850	4.2750	—	24.5	BS	4-4-5611-1X	232039	4-4-5551-1

1.7960-34 Involute Spline

1.7960	2.7500	1.6850	4.9060	—	22.5	BS			4-4-6741-1
--------	--------	--------	--------	---	------	----	--	--	------------

1.8750-10 Spline

1.8750	2.7500	2.3750	4.4060	—	20.0	UB			4-4-1941
1.8750	2.7500	2.3750	4.4060	—	20.0	BS			4-4-1941-1

1.9220-14 Involute Spline

1.9220	2.3750	2.2030	4.6410	—	25.0	BS			4-4-4811-1
--------	--------	--------	--------	---	------	----	--	--	------------

1.9620-10 Spline

1.9620	2.6250	2.2660	4.2660	—	22.0	BS	4-4-4071-1X	230897	4-4-2431-1
1.9620	2.6250	2.2660	4.2660	—	22.0	BS	4-4-4071-2X	230897	4-4-2431-2
<i>Attaching hardware by OEM</i>									
1.9620	2.7500	2.8120	5.0000	—	22.0	BS			4-4-4191-1
1.9620	2.7500	2.8120	5.0000	—	22.5	BS			4-4-4771-2
<i>Attaching hardware by OEM</i>									
1.9620	2.7500	2.8120	5.0000	—	24.5	BS			4-4-6781-2
<i>Attaching hardware by OEM</i>									
1.9620	2.9380	2.5300	4.5850	—	22.0	BS			4-4-5061-1

1.9720-10 Spline

1.9720	2.7500	2.3750	4.4220	—	22.0	BS			4-4-2381-1
--------	--------	--------	--------	---	------	----	--	--	------------

1.9980-38 Involute Spline

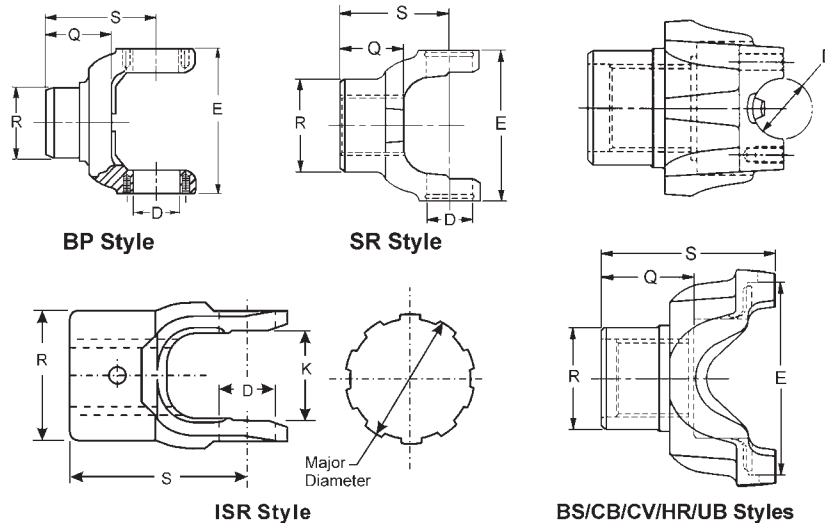
1.9980	2.7500	1.9840	4.1560	—	22.0	UB			4-4-4611
1.9980	2.7500	1.9840	4.1560	—	22.0	BS			4-4-4611-1
1.9980	2.7500	1.9840	4.1560	—	22.0	BS			4-4-4611-2
<i>Attaching hardware by OEM</i>									
1.9980	2.7500	2.1250	4.0470	—	21.0	UB			4-4-4491
1.9980	2.7500	2.1250	4.0470	—	21.0	BS			4-4-4491-1
1.9980	2.7500	2.1250	4.1410	—	21.5	BS			4-4-7341-1
1.9980	2.7500	2.1250	7.0310	—	22.0	BS			4-4-6101-1
<i>Flanged end yoke.</i>									
1.9980	3.0000	2.1250	4.5000	—	35.0	BS	4-4-6981-1X	232200	4-4-6971-1



Major Diameter	R	Q	S	C'Bore Depth	Joint Angle	Style	End Yoke Assy. (incl. slinger) Order When Listed	Slinger Part Number	Spicer Part Number
	Ground Hub Dia.	Length Thru Hole	Centerline to End						
1550 SERIES (Continued)			E-5.250		D-1.375		USE KIT 5-155X, 5-808X		
USES U-BOLT ASSY. 3-94-28X, STRAP ASSY. 3-70-38X									
1.9980-38 Involute Spline (Continued)									
1.9980	3.0000	2.1250	4.5000	—	35.0	BS	4-4-6981-2X	232200	4-4-6971-2 <i>Attaching hardware by OEM</i>
2.0000-10 Spline									
2.0000	2.4840	2.4530	4.5000	—	22.0	BS			4-4-2451-1
2.0000	2.6250	2.1250	4.2030	—	22.5	BS			4-4-2401-1
2.0000	2.6250	2.2500	4.2810	.3640	22.0	BS			4-4-6211-1
2.0000	2.7500	2.0000	4.4060	—	35.0	BS			4-4-2481-1
2.0000	2.7500	3.0000	5.0630	—	21.5	UB			4-4-2941
2.0000	2.9380	2.5620	4.5940	—	22.0	BS	4-4-4041-1X	98-1361	4-4-2441-1
2.0000	3.0310	3.0000	5.1250	—	30.0	BS	4-4-5171-1X	231620	4-4-5161-1
<i>Flanged end yoke w/notched slinger for magnetic pick-up.</i>									
2.0050-15 Involute Spline									
2.0050	2.8750	2.6800	4.6550	.6200	22.5	BS			4-4-4421-1
2.0080-31 Involute Spline									
2.0080	3.0000	2.7660	4.9380	.4900	20.0	BS			4-4-5091-1
2.0240-39 Involute Spline									
2.0240	2.6250	2.2500	4.2660	.2500	22.0	BS	4-4-7551-1X	232167	4-4-6471-1
2.0240	2.6250	2.2550	4.2810	—	24.5	BS	4-4-5691-1X	232039	4-4-5621-1
2.0240	3.0000	2.2970	4.2810	.2500	24.5	BS	4-4-7571-1X	232511	4-4-7561-1
2.0240	3.0000	2.3120	5.0000	—	28.0	BS	4-4-6731-1X	231359	4-4-5261-1
2.0680-32 Involute Spline									
2.0680	2.8750	2.7970	4.9690	—	21.5	BS	4-4-4751-1X	4-68-94	4-4-4741-1
2.0700-32 Involute Spline									
2.0700	2.8750	2.7810	2.8750	—	21.5	BS	4-4-7251-1X	4-68-94	4-4-7241-1
2.1140-32 Involute Spline									
2.1140	3.0000	2.2500	4.3120	.4240	23.0	BS	4-4-7001-1X	232200	4-4-6991-1
2.1250-16 Involute Spline									
2.1250	3.0000	3.0470	5.0940	—	24.0	BS			4-4-4361-1
2.1430-41 Involute Spline									
2.1430	2.9380	2.5000	4.5000	—	20.0	BS	4-4-5701-1X	231028	4-4-5581-1
2.1430	2.9380	2.5000	4.5000	—	18.0	BS	4-4-7491-1X	232604	4-4-5581-1
2.2500-10 Spline									
2.2500	3.0000	3.0000	5.0470	—	—	BS			4-4-3931-2
<i>Attaching hardware by OEM</i>									
2.2500	3.5000	3.0000	5.1250	—	22.5	BS			4-4-3501-1
2.2740-44 Involute Spline									
2.2740	3.0000	2.5000	4.7500	.2360	24.0	BS	4-4-7621-1X	232511	4-4-7611-1
2.3640-18 Involute Spline									
2.3640	3.0000	2.7650	4.7770	—	26.0	BS			4-4-2531-1
2.3640-36 Involute Spline									
2.3640	3.0000	2.6880	5.0780	—	22.0	BS	4-4-7111-1X	232200	4-4-7011-1
2.3730-36 Involute Spline									
2.3730	3.2500	2.1720	4.6880	—	22.5	BS			4-4-6231-1
1610 SERIES			E-5.312		D-1.875		USE KIT 5-279X, 5-674X		
FOR HR STYLE USE STRAP KIT 5-70-28X									
1.6180-18 Involute Spline									
1.6180	2.2000	2.1600	4.1250	—	20.5	BP			5-4-8041
1.6250-10 Spline									
1.6250	2.3750	2.1250	4.1250	—	21.0	BP			5-4-2401
1.7500-10 Spline									
1.7500	2.1880	2.2500	4.1250	—	22.0	BP			5-4-1721
<i>Coupling shaft yoke</i>									
1.7500	2.1880	2.2500	4.1250	—	22.0	HR			5-4-1721-1
<i>Coupling shaft yoke</i>									



END YOKES with SPLINED HOLES



Major Diameter	R	Q	S	C'Bore Depth	Joint Angle	Style	End Yoke Assy. (incl. slinger) Order When Listed	Slinger Part Number	Spicer Part Number
	Ground Hub Dia.	Length Thru Hole	Centerline to End						
1610 SERIES (Continued)			E-5.312	D-1.875		USE KIT 5-279X, 5-674X			

FOR HR STYLE USE STRAP KIT 5-70-28X
1.7500-10 Spline (Continued)

1.7500	2.3750	2.2500	4.9060	.2500	30.0	HR			5-4-6941-1
1.7500	2.4840	3.0000	5.0000	—	—	BP			5-4-871
1.7500	2.5000	1.9380	4.1250	—	23.0	BP			5-4-5711
1.7500	2.5000	1.9530	4.1250	—	22.0	HR			5-4-7631-1
1.7500	2.5000	2.1880	4.8750	—	—	HR			5-4-7031-1
1.7500	2.5000	2.2500	4.1250	.2500	22.0	BP			5-4-1051
1.7500	2.5000	2.2500	4.7200	—	—	HR			5-4-7581-1
1.7500	2.6250	2.2500	4.1250	—	14.0	BP			5-4-781
1.7500	2.6250	2.2500	4.7500	.2500	29.5	BP	5-4-5111X	230909	5-4-2081
1.7500	2.6250	2.2500	4.7500	.2500	26.0	HR	5-4-5111-1X	230909	5-4-2081-1
1.7500	2.6250	2.2500	5.0620	.2500	26.0	BP			5-4-2521
1.7500	2.6250	2.2500	5.3440	—	32.5	BP			5-4-4461
1.7500	2.6250	2.2500	5.3440	—	22.0	HR			5-4-4461-1
1.7500	2.6250	2.2500	5.3440	—	22.0	HR	5-4-7591-1X	230909	5-4-4461-1
1.7500	2.6250	2.2500	5.3440	—	28.0	BP			5-4-4571
1.7500	2.6250	2.2500	6.0000	.2500	45.0	BP	5-4-4761X	230909	5-4-3901
1.7500	2.7500	2.2500	4.7500	—	25.0	BP	5-4-3601X	230794	5-4-1931
1.7500	2.7500	2.2500	5.0000	—	25.0	BP			5-4-3621
1.7500	2.7500	2.2500	6.0000	—	45.0	BP	5-4-4441X	230794	5-4-3861

1.7500-27 Involute Spline

1.7500	2.1250	1.8910	4.7500	—	30.0	HR			5-4-6981-1
--------	--------	--------	--------	---	------	----	--	--	------------

1.7740-34 Spline

1.7740	2.5000	2.2500	4.8750	—	28.0	HR	5-4-5621-1X	231206	5-4-5571-1
1.7740	2.5000	2.2500	5.4380	.1200	35.0	BP	5-4-5081X	231101	5-4-6261
1.7740	2.5000	2.2500	5.4380	.1200	35.0	HR			5-4-6261-1
1.7740	2.5000	2.2500	6.0620	.1200	45.0	BP	5-4-4901X	231101	5-4-6251

1.7900-34 Involute Spline

1.7900	2.1880	2.2500	4.1250	—	22.0	HR			5-4-7171-1 <i>Coupling shaft yoke</i>
1.7900	2.2810	2.4220	4.9380	.2500	29.5	BP	5-4-8451X	232166	5-4-8011
1.7900	2.3750	2.2030	4.1250	—	17.0	HR	5-4-8571-1X	232198	5-4-8561-1
1.7900	2.5000	2.2500	5.4380	—	35.0	HR			5-4-8911-1
1.7900	2.5620	2.7500	5.3120	—	18.0	BP	5-4-4841X	231059(PLUG)	5-4-4831
1.7900	2.5620	2.7500	5.3120	—	18.0	HR	5-4-4841-1X	231059(PLUG)	5-4-4831-1
1.7900	2.5620	2.7500	5.3120	—	22.5	HR	5-4-8061-1X	231059(PLUG)	5-4-7781-1

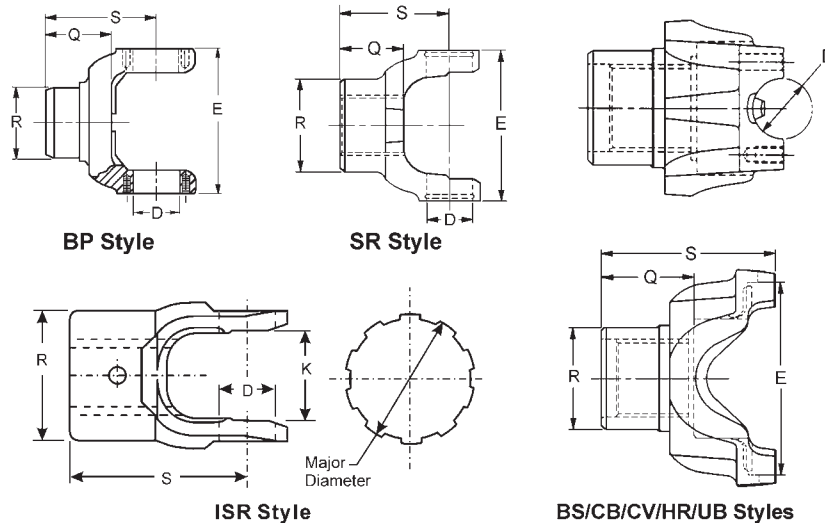


END YOKES with SPLINED HOLES



Major Diameter	R	Q	S	C Bore Depth	Joint Angle	Style	End Yoke Assy. (incl. slinger) Order When Listed	Slinger Part Number	Spicer Part Number
	Ground Hub Dia.	Length Thru Hole	Centerline to End						
1610 SERIES (Continued)			E-5.312	D-1.875			USE KIT 5-279X, 5-674X		
FOR HR STYLE USE STRAP KIT 5-70-28X									
1.7900-34 Involute Spline (Continued)									
1.7900	2.5670	2.8300	5.3100	—	22.5	BP	5-4-5231X	231059	5-4-5221
1.7900	2.6250	2.1880	4.7500	—	35.0	BP			5-4-7261
1.7900	2.6250	2.1880	4.7500	—	35.0	BP	5-4-7301X	232039	5-4-7261
1.7900	2.6250	2.1880	4.7500	—	35.0	HR	5-4-7301-1X	232039	5-4-7261-1
1.7900	2.6250	2.1880	5.8800	—	22.0	HR			5-4-7941-1
1.7900	2.6250	2.4220	4.9380	.2500	30.0	HR	5-4-8501-1X	232166	5-4-8491-1
1.7900	2.6250	2.4380	4.9380	—	26.0	BP			5-4-6341
1.7900	2.6250	2.4380	6.1880	—	45.0	BP		230909	5-4-6351
1.7900	2.6250	2.4380	6.1880	.2500	45.0	BP	5-4-8441X	232166	5-4-8001
1.8750-10 Spline									
1.8750	2.7500	2.0000	4.4690	—	22.5	HR			5-4-7701-1
1.8750	2.7500	2.3750	5.0000	—	25.0	BP			5-4-2501
1.9390-30 Involute Spline									
1.9390	3.0000	2.2500	4.7500	—	35.0	BP			5-4-4391
1.9600-10 Spline									
1.9600	2.4380	3.0000	5.5000	—	21.0	BP			5-4-4721
									<i>Coupling shaft yoke</i>
1.9600	2.7500	2.6250	5.1250	—	24.0	BP	5-4-5281X	98-1362	5-4-3681
1.9600-6 Spline									
1.9600	2.7500	3.0000	5.0000	—	22.5	BP	5-4-2031X	330287	5-4-1431
1.9620-10 Spline									
1.9620	2.5000	2.0000	4.5000	—	25.0	BP			5-4-2541
1.9620	2.6250	2.2500	4.7190	.2500	25.5	BP	5-4-5121X	230909	5-4-1641
1.9620	2.6250	2.2500	4.7190	.2500	19.5	HR	5-4-5121-1X	230909	5-4-1641-1
1.9620	2.6250	2.2500	4.9060	—	25.0	HR			5-4-7111-1
1.9620	2.6250	2.2500	5.0620	.2500	24.0	BP			5-4-3241
1.9620	2.6250	2.2500	5.3120	—	28.0	HR	5-4-6361-1X	230909	5-4-4471-1
1.9620	2.6250	2.2500	6.0000	.2500	45.0	BP	5-4-4771X	230909	5-4-3911
1.9620	2.7500	2.6250	5.9380	—	35.0	BP	5-4-5321X	98-1362	5-4-4221
1.9620	2.7500	2.8120	5.2810	—	21.5	HR			5-4-7041-1
1.9620	2.7500	2.8120	5.2810	—	22.5	HR			5-4-8361-1
1.9620	3.0000	2.2500	4.7500	—	25.0	BP			5-4-2531
1.9620	3.0000	2.2500	5.3750	—	35.0	BP			5-4-4541
1.9640-10 Spline									
1.9640	2.5000	2.0000	5.2190	—	35.0	BP			5-4-4551
1.9640	2.7500	2.8120	5.0000	—	17.0	BP			5-4-5091
1.9890-30 Involute Spline									
1.9890	3.0000	2.6880	6.0000	.2200	33.0	BP	5-4-7251X	231750	5-4-5721
1.9890	3.0000	2.6880	6.0000	.2200	45.0	HR	5-4-8671-1X	232199	5-4-8661-1
1.9980-38 Involute Spline									
1.9980	2.7500	1.9690	4.1560	—	24.0	BP			5-4-6481
1.9980	2.7500	1.9690	4.1560	—	24.0	HR			5-4-6481-1
1.9980	2.7500	2.1250	4.0000	—	20.5	HR			5-4-6321-1
1.9980	2.7500	2.1250	4.0000	—	19.0	HR			5-4-8971-1
1.9980	2.7500	2.1250	4.1250	—	21.0	BP			5-4-6321
1.9980	2.7500	2.1250	7.5620	—	22.0	HR			5-4-7601-1
									<i>Flanged end yoke.</i>
1.9980	3.0000	2.1250	4.8440	—	—	BP	5-4-5861X	231347	5-4-6131
1.9980	3.0000	2.1250	4.8440	—	—	BP	5-4-7121X	231750	5-4-6131
1.9980	3.0000	2.1250	4.8440	—	30.0	HR	5-4-8591-1X	232200	5-4-8581-1
2.0000-10 Spline									
2.0000	2.7500	2.0000	4.6880	—	35.0	BP			5-4-1831
2.0000	2.7500	2.0000	4.6880	—	30.0	HR			5-4-7061-1
2.0000	2.7500	2.4690	5.7810	.1250	35.0	BP			5-4-4381
2.0000	2.7500	3.0000	5.1880	—	21.0	BP			5-4-1661





Major Diameter	R	Q	S	C'Bore Depth	Joint Angle	Style	End Yoke Assy. (incl. slinger) Order When Listed	Slinger Part Number	Spicer Part Number
	Ground Hub Dia.	Length Thru Hole	Centerline to End						
1610 SERIES (Continued)			E-5.312	D-1.875		USE KIT 5-279X, 5-674X			

FOR HR STYLE USE STRAP KIT 5-70-28X
2.0000-10 Spline (Continued)

2.0000	2.7500	3.0000	5.4690	—	21.0	HR			5-4-1661-1
2.0000	2.9380	2.5620	5.1880	—	—	BP	5-4-5131X	98-1361	5-4-1631
2.0000	2.9380	3.0000	5.0000	—	22.5	BP			5-4-1221
2.0000	2.9380	3.0000	5.0000	—	22.5	BP			5-4-1521
2.0000	2.9380	3.0000	5.6250	—	35.0	BP			5-4-1391
2.0000	3.0310	3.0000	5.6090	—	22.0	HR	5-4-7101-1X	231620	5-4-6541-1

Flanged end yoke.

2.0010-19 Involute Spline

2.0010	2.6250	2.0310	4.6880	—	26.5	HR			5-4-6971-1
--------	--------	--------	--------	---	------	----	--	--	------------

2.0050-15 Involute Spline

2.0050	2.6250	2.2500	5.9380	—	22.0	BP			5-4-6641
--------	--------	--------	--------	---	------	----	--	--	----------

Flanged end yoke.

2.0080-31 Involute Spline

2.0080	2.6250	2.3120	3.9690	—	8.0	HR	5-4-7691-1X	232189	5-4-7481-1
2.0080	2.7500	2.5780	5.2030	—	—	HR	5-4-8991-1X	232505	5-4-8981-1

Flanged end yoke.

2.0080	2.7660	2.0310	4.9530	—	34.0	HR			5-4-8961-1
--------	--------	--------	--------	---	------	----	--	--	------------

Hub diameter not ground.

2.0240-39 Spline

2.0240	2.7500	2.0000	4.5000	—	28.0	BP			5-4-5881
2.0240	2.7500	2.4380	5.9380	.1200	45.0	BP	5-4-6961X	231599	5-4-5441
2.0240	2.7500	2.4380	6.2500	.1200	45.0	BP			5-4-5461
2.0240	2.7500	2.4380	6.2500	.1200	45.0	BP	5-4-5471X	98-1362	5-4-5461
2.0240	2.7500	2.4380	6.2500	.1200	45.0	BP	5-4-6871X	231599	5-4-5461
2.0240	2.7500	2.4530	5.1250	—	26.0	BP	5-4-6951X	231599	5-4-5421
2.0240	3.0000	2.3120	4.8750	—	22.0	BP	5-4-6431X	231102	5-4-6421
2.0240	3.0000	2.3120	4.8750	—	21.0	HR	5-4-6431-1X	231102	5-4-6421-1
2.0240	3.0000	2.3120	4.8750	—	21.0	HR	5-4-6441-1X	231359	5-4-6421-1
2.0240	3.0000	2.3120	5.5310	.1200	32.0	BP	5-4-6281X	231359	5-4-6271
2.0240	3.0000	2.3120	6.2190	.0900	45.0	BP	5-4-6291X	231359	5-4-6241
2.0240	3.0000	2.3120	6.2190	.0900	45.0	HR	5-4-6291-1X	231359	5-4-6241-1

2.0240-39 Involute Spline

2.0240	2.6250	2.2340	4.7190	—	21.5	HR	5-4-8131-1X	232039	5-4-7981-1
2.0240	2.6250	2.2500	5.3120	—	35.0	BP	5-4-5991X	230909	5-4-5981
2.0240	2.6250	2.2500	5.3120	.2500	34.0	BP	5-4-8411X	232167	5-4-7971
2.0240	2.6250	2.2500	5.3120	.2500	34.0	HR	5-4-8411-1X	232167	5-4-7971-1
2.0240	2.6250	2.2500	6.0000	—	45.0	BP	5-4-5971X	230909	5-4-5961
2.0240	2.6250	2.2500	6.0000	.2500	45.0	BP	5-4-8421X	232167	5-4-7991
2.0240	2.6250	2.3450	4.7200	—	21.5	BS			5-4-9461-1M

Metric yoke

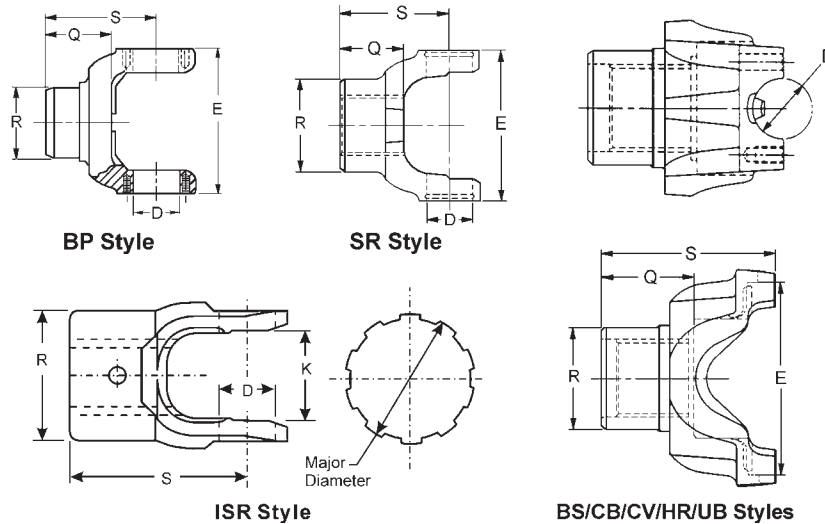


END YOKES with SPLINED HOLES

Major Diameter	R	Q	S	C'Bore Depth	Joint Angle	Style	End Yoke Assy. (incl. slinger) Order When Listed	Slinger Part Number	Spicer Part Number
	Ground Hub Dia.	Length Thru Hole	Centerline to End						
1610 SERIES (Continued)			E-5.312	D-1.875			USE KIT 5-279X, 5-674X		
FOR HR STYLE USE STRAP KIT 5-70-28X									
2.0240-39 Involute Spline (Continued)									
2.0240	2.6250	2.5000	6.0000	—	45.0	HR	5-4-9271-1X	232514	5-4-8301-1
2.0240	3.0000	2.2500	6.0000	.2800	45.0	HR	5-4-9311-1X	232200	5-4-9291-1
2.0240	3.0000	2.2810	4.8750	.2500	—	HR	5-4-9231-1X	232511	5-4-9221-1
2.0240	3.0000	2.2810	6.0000	.2500	45.0	HR	5-4-9241-1X	232511	5-4-8261-1
2.0240	3.0000	2.5000	5.5940	.2800	32.0	HR			5-4-9351-1
2.0320-10 Spline									
2.0320	2.7500	2.0000	4.5000	.1200	35.0	BP			5-4-4401
2.1140-32 Involute Spline									
2.1140	3.0000	2.2340	5.3750	.4240	33.5	HR	5-4-8611-1X	232200	5-4-8601-1
2.1140	3.0000	2.2340	6.0000	.4240	45.0	HR	5-4-8691-1X	232200	5-4-8681-1
2.1140	3.0000	2.2500	5.3750	.4240	27.0	BP			5-4-5751
2.1140	3.0000	2.2500	5.3750	.4240	27.0	BP	5-4-7221X	231750	5-4-5751
2.1140	3.0000	2.2500	6.0000	.4240	33.0	BP	5-4-7181X	231750	5-4-5731
2.1430-41 Involute Spline									
2.1430	2.9380	2.5000	5.2500	—	24.5	HR	5-4-7311-1X	231028	5-4-7271-1
2.1430	2.9380	2.5000	5.2500	—	24.5	HR	5-4-9111-1X	232604	5-4-7271-1
2.1430	2.9380	2.5000	6.0000	—	37.0	BP	5-4-7571X	231028	5-4-7561
2.1430	2.9380	2.5000	6.0000	—	37.0	HR	5-4-7571-1X	231028	5-4-7561-1
2.1430	2.9380	3.0000	6.5000	.3800	37.5	HR			5-4-7551-1
2.1490-16 Spline									
2.1490	2.9380	3.0000	6.2500	.3800	45.0	BP	5-4-5161X	231028	5-4-5031
2.1490	2.9380	3.0000	6.2500	.3800	25.0	HR	5-4-5161-1X	231028	5-4-5031-1
2.1490	2.9380	3.0000	6.5000	.3800	42.0	BP	5-4-5511X	231028	5-4-5501
2.1490	2.9380	3.0000	6.5000	.3800	42.0	BS	5-4-8711X	232367	5-4-5501
2.1780-43 Involute Spline									
2.1780	3.5310	2.0310	5.4060	.1570	34.0	BP			5-4-9141
2.1780	3.5310	2.0310	5.4060	.1570	33.0	HR			5-4-9141-1
2.1780	3.5470	2.0470	5.2190	.1570	33.0	HR			5-4-8461-1
2.2250-6 Spline									
2.2250	3.0000	3.2500	5.7190	—	20.0	BP	5-4-4751X	829W	5-4-4741
2.2500-10 Spline									
2.2500	3.0000	3.0000	5.6250	.2500	16.0	BP	5-4-6891X	230921	5-4-3141
2.2500	3.5000	3.0000	5.7500	—	24.0	BP			5-4-4961
2.2500	3.5000	3.0000	5.7500	—	26.5	HR			5-4-4961-1
2.2500	3.7500	3.0000	5.7500	—	26.0	HR	5-4-7391-1X	231616	5-4-7381-1
2.2600-6 Spline									
2.2600	3.2500	2.2500	4.9380	—	35.0	BP		232042-6	5-4-1891
2.2600	3.2500	2.2500	4.9380	—	35.0	HR	5-4-8211-1X	232042-6	5-4-1891-1
2.2740-44 Involute Spline									
2.2740	2.9380	2.3280	4.8440	—	22.0	HR	5-4-8031-1X	231022	5-4-8021-1
2.2740	2.9380	2.5000	5.0000	—	22.0	BP	5-4-6381X	231002	5-4-6371
2.2740	2.9380	2.5000	5.0000	—	22.0	HR	5-4-6381-1X	231002	5-4-6371-1
2.2740	2.9380	2.5000	5.0000	—	22.0	HR	5-4-8431-1X	232168	5-4-8321-1
2.3640-36 Involute Spline									
2.3640	3.0000	2.6880	5.1560	—	18.0	BP			5-4-5631
2.3640	3.0000	2.6880	5.1560	—	18.0	BP	5-4-7201X	231750	5-4-5631
2.3640	3.0000	2.6880	5.1560	—	20.5	BP	5-4-7211X	231755	5-4-7191
2.3640	3.0000	2.6880	5.1560	—	21.0	HR	5-4-8631-1X	232200	5-4-8621-1
2.3640	3.0000	2.6880	5.1560	—	21.0	HR	5-4-8651-1X	231755	5-4-8641-1
2.3640	3.0000	2.7030	6.0000	—	33.5	BP	5-4-7231X	231750	5-4-5741
2.3640	3.5000	2.5000	4.9690	—	—	HR	5-4-9411-1X	232201	5-4-9401-1
2.3720-46 Involute Spline									
2.3720	—	3.2000	5.6300	.6700	—	HR			5-4-9161-1M

Hub diameter not ground.





Major Diameter	R	Q	S	C'Bore Depth	Joint Angle	Style	End Yoke Assy. (incl. slinger) Order When Listed	Slinger Part Number	Spicer Part Number
	Ground Hub Dia.	Length Thru Hole	Centerline to End						
1610 SERIES (Continued)			E-5.312	D-1.875		USE KIT 5-279X, 5-674X			

FOR HR STYLE USE STRAP KIT 5-70-28X
2.3720-46 Involute Spline (Continued)

2.3720	2.9380	3.3750	6.2340	.5000	—	HR			5-4-6521-1 <i>Flanged end yoke</i>
2.3720	3.0000	3.0000	4.5470	.1200	8.0	HR	5-4-7441-1X	500166-46	5-4-7431-1
2.3720	3.0000	3.3910	5.7400	.5000	22.5	HR			5-4-6161-1
2.3720	3.0000	3.5000	5.8910	.5000	22.5	HR	5-4-6151-1X	500166-46	5-4-6141-1
2.3720	3.0000	3.5000	5.8910	—	22.5	HR	5-4-8761-1X	500166-46	5-4-8751-1
2.3720	3.0000	3.5500	5.8900	—	22.5	HR	5-4-9631-1X	232638	5-4-9621-1

2.3730-36 Involute Spline

2.3730	3.0000	2.0940	4.2500	.3000	16.0	BP			5-4-5371
2.3730	3.0000	2.2500	4.3750	—	12.0	HR			5-4-7091-1 <i>Flanged end yoke.</i>

2.3740-46 Spline

2.3740	3.2500	2.3120	4.9380	.1400	35.0	HR	5-4-7341-1X	232747	5-4-7331-1
2.3740	3.2500	2.3120	4.9400	—	—	HR	5-4-9541-1X	232746	5-4-9581-1
2.3740	3.2500	2.8910	4.5470	—	—	HR	5-4-7361-1X	231615	5-4-7351-1

2.3870-18 Involute Spline

2.3870	3.0000	2.8910	5.2030	—	22.0	HR			5-4-5851-1
2.3870	3.0000	3.0940	4.5620	.1200	8.0	HR	5-4-6101-1X	500166-46	5-4-5831-1

2.3900-46 Involute Spline

2.3900	3.5000	3.3910	6.1250	—	17.0	BP			5-4-4861
2.3900	3.5000	3.3910	6.1250	—	20.0	HR			5-4-4861-1

2.4220-18 Involute Spline

2.4220	3.3750	3.0000	6.1250	.3800	23.0	HR	5-4-5491-1X	231013	5-4-5361-1
--------	--------	--------	--------	-------	------	----	-------------	--------	------------

2.5000-10 Spline

2.5000	3.2500	3.0000	5.6880	—	35.0	HR	5-4-8351-1X	231179	5-4-8341-1
2.5000	3.7500	3.0000	6.1250	—	21.0	BP			5-4-4971 <i>Hub machined for speedometer gear</i>

2.5470-49 Involute Spline

2.5470	3.1720	2.7500	5.5000	.5600	18.5	HR			5-4-7951-1
--------	--------	--------	--------	-------	------	----	--	--	------------

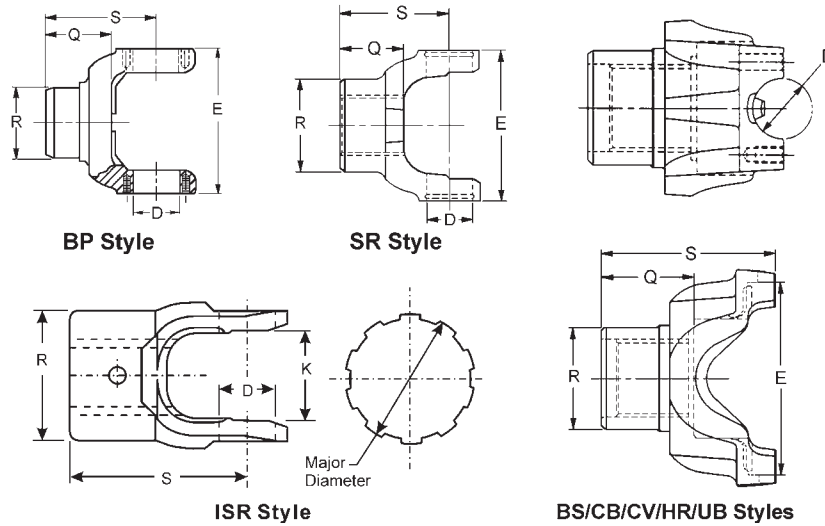
2.6250-20 Involute Spline

2.6250	3.7500	2.7500	5.0620	—	21.0	HR			5-4-6531-1 <i>Hub machined for speedometer gear</i>
2.6250	3.7500	2.7500	5.5620	—	21.0	BP			5-4-6531 <i>Hub machined for speedometer gear</i>



Major Diameter	R	Q	S	C'Bore Depth	Joint Angle	Style	End Yoke Assy. (incl. slinger) Order When Listed	Slinger Part Number	Spicer Part Number
	Ground Hub Dia.	Length Thru Hole	Centerline to End						
1650 SERIES			E-5.594		D-1.625		USE KIT 5-165X		
USES CAP & BOLT ASSY. 5-70-18X									
1.7500-10 Spline									
1.7500	2.1880	2.2500	4.2500	—	22.0	CB			5-4-2111
1.7500	2.6250	2.2500	4.3750	—	22.0	CB	5-4-4161X	230909	5-4-2141 .250 deep spline chamfer
2.0000-10 Spline									
2.0000	2.6250	2.1250	4.3750	—	22.0	CB			5-4-2331
2.0000-15 Involute Spline									
2.0000	3.0000	3.2500	5.4060	.1050	22.0	CB			5-4-4701
2.3590-18 Involute Spline									
2.3590	2.8750	2.6880	5.2810	.4600	23.0	CB			5-4-5821
2.3590	3.0000	2.7810	5.2190	.4320	23.0	CB			5-4-2341
1710 SERIES			E-6.094 (6.190 FOR HR STYLE) D-1.938				USE KIT 5-280X, & 5-675X		
FOR HR STYLE USE STRAP KIT 6.5-70-18X									
1.6250-10 Spline									
1.6250	2.3750	2.1250	4.7500	—	30.0	HR			6-4-7751-1
1.7500-10 Spline									
1.7500	2.6250	2.2500	4.5000	—	21.0	BP	6-4-5581X	230909	6-4-2081
1.7500	2.6250	2.2500	4.5000	—	21.0	HR	6-4-5581-1X	230909	6-4-2081-1
1.7500	2.6250	2.2500	5.2500	—	25.0	BP	6-4-4301X	230909	6-4-3391 .250 deep spline chamfer
1.7500	2.6250	2.2500	6.1250	—	45.0	BP	6-4-4861X	230909	6-4-4141
1.7500	2.7500	2.2500	4.8750	.0600	25.0	BP			6-4-2381
1.7740-34 Spline									
1.7740	2.5000	2.2500	4.8750	.0900	28.0	BP	6-4-5131X	231101	6-4-6331
1.7740	2.5000	2.2500	4.8750	.0900	28.0	HR	6-4-5131-1X	231101	6-4-6331-1
1.7740	2.5000	2.2500	5.9690	.0900	45.0	BP	6-4-5111X	231101	6-4-6321
1.7740	2.5000	2.2500	5.9690	.0900	45.0	HR			6-4-6321-1
1.7750-16 Involute Spline									
1.7750	2.3750	2.0000	4.7500	.1900	34.0	BP			6-4-4271
1.7900-34 Involute Spline									
1.7900	2.5000	2.2500	4.8750	.0900	28.0	HR			6-4-9021-1
1.7900	2.5620	2.7500	5.5940	—	25.0	HR	6-4-5041-1X	231059(PLUG)	6-4-5031-1
1.7900	2.5620	2.7500	7.1880	—	45.0	BP	6-4-5041X	231059(PLUG)	6-4-5031
1.7900	2.6250	2.1880	5.4380	—	34.0	HR	6-4-7581-1X	232039	6-4-7571-1
1.7900	2.6250	2.4380	5.4380	.2500	34.0	BP			6-4-6481
1.7900	2.6250	2.4380	5.4380	.2500	34.0	BP	6-4-8511X		6-4-8081
1.7900	2.6250	2.4380	5.4380	.2500	33.5	HR	6-4-8511-1X	232166	6-4-8081-1
1.7900	2.6250	2.4380	6.3120	.2500	45.0	BP			6-4-6451
1.7900	2.6250	2.4380	6.3120	.2500	45.0	HR			6-4-6451-1
1.7900	2.6250	2.4380	6.3120	.2500	45.0	BP	6-4-8521X	232166	6-4-8001
1.7900	2.6250	2.4380	6.3120	.2500	45.0	HR	6-4-8521-1X	232166	6-4-8001-1
1.9390-30 Involute Spline									
1.9390	3.0000	2.2500	4.5620	—	20.0	BP			6-4-4371
1.9600-10 Spline									
1.9600	2.6250	2.0000	5.0000	—	25.0	BP			6-4-2391
1.9600	2.7500	2.6250	5.2500	—	21.0	BP	6-4-4361X	98-1362	6-4-3221
1.9600	2.7500	2.6250	5.2500	—	23.0	BP	6-4-7001X	231541	6-4-7011
1.9600	2.7500	2.6250	6.5000	—	45.0	BP	6-4-4481X	98-1362	6-4-4131
1.9600	2.8120	3.0000	5.0000	—	—	BP			6-4-1981 Coupling shaft yoke
1.9600	2.8120	3.0000	5.0000	—	25.0	HR			6-4-1981-1 Coupling shaft yoke
1.9600	2.9380	2.2190	4.5000	.0940	21.0	BP			6-4-2061
1.9620-10 Spline									
1.9620	2.5000	2.0000	6.0000	—	45.0	BP			6-4-4261
1.9620	2.6250	2.2500	4.5000	—	21.5	BP	6-4-4731X	230998	6-4-4721 .250 deep spline chamfer





Major Diameter	R	Q	S	C'Bore Depth	Joint Angle	Style	End Yoke Assy. (incl. slinger) Order When Listed	Slinger Part Number	Spicer Part Number
	Ground Hub Dia.	Length Thru Hole	Centerline to End						

1710 SERIES (Continued) E-6.094 (6.190 FOR HR STYLE) D-1.938 USE KIT 5-280X, & 5-675X

FOR HR STYLE USE STRAP KIT 6.5-70-18X

1.9620-10 Spline (Continued)

1.9620	2.6250	2.2500	4.5000	—	25.0	HR	6-4-4731-1X	230998	6-4-4721-1 <i>.250 deep spline chamfer</i>
1.9620	2.6250	2.2500	5.2500	—	32.0	BP	6-4-5151X	230909	6-4-5141
1.9620	2.6250	2.2500	6.1250	—	45.0	BP	6-4-4851X	230909	6-4-4151
1.9620	2.6250	2.2500	6.1250	—	45.5	HR	6-4-4851-1X	230909	6-4-4151-1
1.9620	2.7500	2.8120	5.1560	—	25.0	BP			6-4-3831
1.9620	2.7500	2.8120	5.1560	—	21.0	HR			6-4-3831-1

1.9640-10 Spline

1.9640	2.6250	2.2500	4.5000	—	21.5	BP			6-4-2211 <i>.250 deep spline chamfer</i>
1.9640	2.7500	2.7500	5.2500	—	22.5	BP			6-4-3901
1.9640	3.0000	2.2500	4.5620	—	20.0	BP			6-4-3291

1.9890-30 Involute Spline

1.9890	3.0000	2.7000	6.2800	.2200	41.0	BP	6-4-7231X	231750	6-4-5781
1.9890	3.0000	2.7030	6.2810	.2200	43.0	HR	6-4-8741-1X	232199	6-4-8731-1

1.9980-38 Involute Spline

1.9980	2.7500	2.1250	5.2500	—	34.5	BP			6-4-7301
1.9980	2.7500	2.1250	5.2500	—	34.5	HR			6-4-7301-1
1.9980	2.8100	3.0000	5.0000	—	25.0	BP			6-4-7141
1.9980	2.8100	3.0000	5.0000	—	25.0	HR			<i>Coupling shaft yoke</i> 6-4-7141-1
1.9980	3.0000	2.1250	4.8440	—	20.0	BP	6-4-7291X	231751	6-4-6201
1.9980	3.0000	2.1250	4.8440	—	30.0	HR	6-4-8661-1X	232200	6-4-8651-1

2.0000-10 Spline

2.0000	2.7500	2.0000	5.0000	—	33.5	BP			6-4-2371
2.0000	2.7500	2.5620	5.1880	—	25.5	BP	6-4-4391X	230794	6-4-3271
2.0000	2.7500	3.0000	5.2500	—	24.0	BP			6-4-2361
2.0000	2.7500	3.0000	5.2500	—	24.0	BS			6-4-2361-1
2.0000	2.9380	2.5620	5.1880	—	25.0	BP	6-4-4291X	98-1361	6-4-3241
2.0000	2.9380	2.5620	5.1880	—	25.0	BP	6-4-4741X	231015	6-4-3241
2.0000	2.9380	3.0000	5.6250	—	25.0	BP			6-4-2191
2.0000	2.9380	3.0000	5.6250	—	25.0	HR	6-4-7741-1X	98-1361	6-4-2191-1
2.0000	3.2500	3.0000	5.6250	—	25.0	BP			6-4-2001

2.0000-15 Involute Spline

2.0000	3.2500	2.3750	4.2500	—	21.0	BP			6-4-3131 <i>Tapered spline.</i>
2.0000	3.2500	2.6880	4.5620	.6900	22.0	BP			6-4-5291

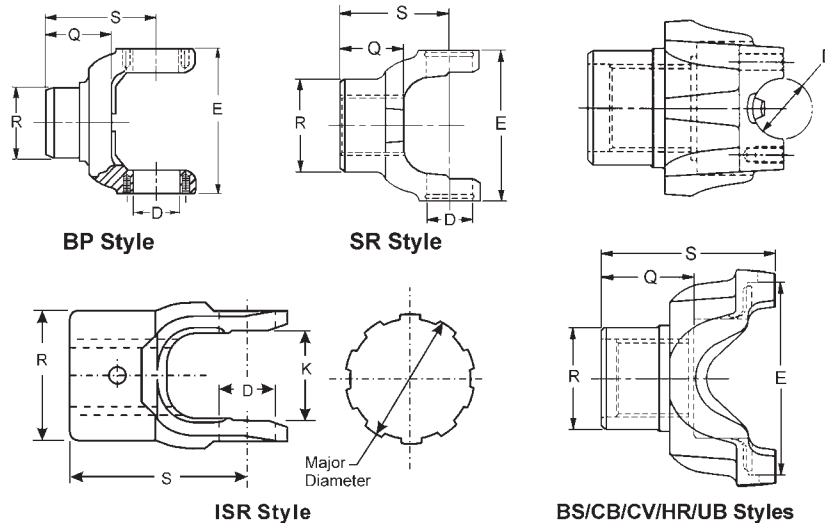


END YOKES with SPLINED HOLES



Major Diameter	R	Q	S	C Bore Depth	Joint Angle	Style	End Yoke Assy. (incl. slinger) Order When Listed	Slinger Part Number	Spicer Part Number	
	Ground Hub Dia.	Length Thru Hole	Centerline to End							
1710 SERIES (Continued)			E-6.094 (6.190 FOR HR STYLE) D-1.938				USE KIT 5-280X, & 5-675X			
FOR HR STYLE USE STRAP KIT 6.5-70-18X										
2.0050-15 Involute Spline										
2.0050	2.8750	2.5000	5.3750	.2500	25.0	BP			6-4-3001	
2.0240-39 Spline										
2.0240	2.7500	2.0000	5.0000	.1200	33.5	BP	6-4-8331X	232042-2	6-4-5851	
2.0240	2.7500	2.0000	5.0000	.1200	33.5	HR	6-4-8331-1X	232042-2	6-4-5851-1	
2.0240	2.7500	2.0000	5.8750	.1200	45.0	BP	6-4-8361X	232042-2	6-4-6571	
2.0240	2.7500	2.0000	5.8750	.1200	45.0	HR	6-4-8361-1X	232042-2	6-4-6571-1	
2.0240	2.7500	2.4380	4.8120	.0900	21.5	BP	6-4-6941X	231599	6-4-5541	
2.0240	2.7500	2.4380	5.2500	.0900	33.0	BP	6-4-6951X	231599	6-4-5521	
2.0240	2.7500	2.4380	5.2500	.0900	25.0	HR	6-4-6951-1X	231599	6-4-5521-1	
2.0240	2.7500	2.4380	6.5000	.0900	35.0	BP	6-4-6871X	231599	6-4-5501	
2.0240	2.7500	2.4380	6.5000	.0900	45.0	HR	6-4-6871-1X	231599	6-4-5501-1	
2.0240	3.0000	2.3120	5.1560	.0900	28.0	HR	6-4-7631-1X	231102	6-4-7621-1	
2.0240	3.0000	2.3120	5.1560	.0900	28.0	HR	6-4-7641-1X	231359	6-4-7621-1	
2.0240	3.0000	2.3120	5.1560	.0900	28.0	HR	6-4-8601-1X	232182	6-4-7621-1	
2.0240	3.0000	2.3120	6.2500	.0900	43.5	BP	6-4-6381X	231102	6-4-6371	
2.0240	3.0000	2.3120	6.2500	.0900	43.5	BP	6-4-6391X	231359	6-4-6371	
2.0240	3.0000	2.3120	6.2500	.0900	43.0	BP	6-4-8571X	232182	6-4-6371	
2.0240	3.0000	2.3120	6.2500	.0900	43.5	HR	6-4-6391-1X	231359	6-4-6371-1	
2.0240	3.0000	2.3120	6.2500	.0900	43.5	HR	6-4-8571-1X	232182	6-4-6371-1	
2.0240	3.0000	2.3270	5.1560	.0900	28.0	BP	6-4-6411X	231102	6-4-6401	
2.0240	3.0000	2.3270	5.1560	.1050	28.0	BP	6-4-6421X	231359	6-4-6401	
2.0240	3.0000	2.3270	5.1560	.1050	28.0	HR	6-4-6421-1X	231866	6-4-6401-1	
2.0240	3.0000	2.4380	5.1880	.1200	27.5	BP	6-4-5101X	231102	6-4-4901	
2.0240	3.0000	2.4380	6.2810	.1200	45.0	BP			6-4-4971	
2.0240	3.0000	2.5000	5.4380	.2800	—	HR			6-4-9411-1	
2.0240-39 Involute Spline										
2.0240	2.6250	2.2500	5.2500	—	33.5	BP	6-4-6001X	230909	6-4-5991	
									<i>.250 deep spline chamfer</i>	
2.0240	2.6250	2.2500	5.2500	—	33.5	HR	6-4-6001-1X	230909	6-4-5991-1	
2.0240	2.6250	2.2500	5.2500	.2500	33.5	BP	6-4-8531X	232167	6-4-7991	
2.0240	2.6250	2.2500	5.2500	.2500	33.5	HR	6-4-8231-1X	232039	6-4-7991-1	
2.0240	2.6250	2.2500	5.2500	.2500	33.5	HR	6-4-8531-1X	232167	6-4-7991-1	
2.0240	2.6250	2.2500	6.1250	—	45.0	BP	6-4-6021X	230909	6-4-6011	
									<i>.250 deep spline chamfer</i>	
2.0240	2.6250	2.2500	6.1250	—	45.0	HR	6-4-6021-1X	230909	6-4-6011-1	
									<i>.250 deep spline chamfer</i>	
2.0240	2.6250	2.2500	6.1250	.2500	45.0	BP	6-4-8541X	232167	6-4-7981	
2.0240	2.6250	2.2500	6.1250	.2500	45.0	HR	6-4-8541-1X	232167	6-4-7981-1	
2.0240	2.6250	2.5000	5.2500	.2500	30.0	BP	6-4-9041X	232514	6-4-8441	
2.0240	2.6250	2.5000	5.2500	.2500	30.0	HR	6-4-9041-1X	232514	6-4-8441-1	
2.0240	2.6250	2.5000	6.1250	.2500	39.5	BP	6-4-9001X	232514	6-4-8431	
2.0240	2.6250	2.5000	6.1250	.2500	39.5	HR	6-4-9001-1X	232514	6-4-8431-1	
2.0240	3.0000	2.2500	4.6560	.2800	24.0	HR	6-4-9431-1X	232200	6-4-9421-1	
2.0240	3.0000	2.2500	4.6560	.2800	24.0	HR	6-4-9441-1X	232199	6-4-9421-1	
2.0240	3.0000	2.2500	6.0000	.2800	45.0	HR	6-4-9301-1X	232200	6-4-9291-1	
2.0240	3.0000	2.2810	5.2500	.2500	30.0	BP	6-4-9031X	232511	6-4-8421	
2.0240	3.0000	2.2810	5.2500	.2500	30.0	HR	6-4-9031-1X	232511	6-4-8421-1	
2.0240	3.0000	2.2810	6.1250	.2500	45.0	BP	6-4-8991X	232511	6-4-8411	
2.0240	3.0000	2.2810	6.1250	.2500	39.5	HR	6-4-8991-1X	232511	6-4-8411-1	
2.0240	3.0000	2.5000	6.1200	.2800	39.5	HR			6-4-9281-1	
2.0320-10 Spline										
2.0320	2.7500	2.0000	5.0000	.1200	25.0	BP			6-4-3791	
2.0320	2.7500	2.3910	5.3750	.5000	34.0	BP			6-4-2431	
2.1140-32 Involute Spline										
2.1140	3.0000	2.2500	4.5620	.4240	21.0	BP	6-4-7221X	231750	6-4-5811	
2.1140	3.0000	2.2500	4.5620	.4240	24.0	HR	6-4-8681-1X	232200	6-4-8671-1	
2.1140	3.0000	2.2500	6.0620	.4240	43.0	HR	6-4-8761-1X	232200	6-4-8751-1	
2.1140	3.0000	2.2500	6.2500	.4240	45.0	BP	6-4-7171X	231750	6-4-5791	





Major Diameter	R	Q	S	C'Bore Depth	Joint Angle	Style	End Yoke Assy. (incl. slinger) Order When Listed	Slinger Part Number	Spicer Part Number
	Ground Hub Dia.	Length Thru Hole	Centerline to End						

1710 SERIES (Continued) E-6.094 (6.190 FOR HR STYLE) D-1.938 USE KIT 5-280X, & 5-675X

FOR HR STYLE USE STRAP KIT 6.5-70-18X

2.1260-33 Involute Spline

2.1260	3.0000	2.5000	4.5620	—	21.0	BP			6-4-5471
--------	--------	--------	--------	---	------	----	--	--	----------

2.1430-41 Involute Spline

2.1430	2.9380	2.5000	5.1900	—	28.0	BP	6-4-9171X	232604	6-4-7311
2.1430	2.9380	2.5000	5.1900	—	29.0	HR	6-4-7321-1X	231028	6-4-7311-1
2.1430	2.9380	2.5000	5.1900	—	29.0	HR	6-4-9171-1X	232604	6-4-7311-1
2.1430	2.9380	2.5000	6.1250	—	39.0	BP	6-4-7561X	231028	6-4-7551
2.1430	2.9380	2.5000	6.1250	—	39.0	BP	6-4-9181X	232604	6-4-7551
2.1430	2.9380	2.5000	6.1250	—	39.0	HR	6-4-7561-1X	231028	6-4-7551-1
2.1430	2.9380	2.5000	6.1250	—	39.0	HR	6-4-9181-1X	232604	6-4-7551-1
2.1430	2.9380	3.0000	6.6250	.3800	38.0	BP	6-4-7651X	231028	6-4-7541
2.1430	2.9380	3.0000	6.6250	.3800	38.0	BP	6-4-9191X	232609	6-4-7541
2.1430	2.9380	3.0000	6.6250	.3800	39.0	HR	6-4-9191-1X	232609	6-4-7541-1

2.1490-16 Spline

2.1490	2.9380	2.5000	5.1880	—	25.5	BP	6-4-5061X	231022	6-4-4961
2.1490	2.9380	3.0000	5.5000	.3800	22.0	BP	6-4-4171X	231028	6-4-2181
2.1490	2.9380	3.0000	5.5000	.3800	30.0	HR	6-4-4171-1X	231028	6-4-2181-1
2.1490	2.9380	3.0000	6.6250	.3800	38.0	BP	6-4-5481X	231028	6-4-4591
2.1490	2.9380	3.0000	6.6250	.3800	39.0	HR	6-4-9841-1X	232367	6-4-4591-1
2.1490	3.0000	2.5000	4.9400	.3800	25.0	BP			6-4-3491

2.1780-43 Involute Spline

2.1780	3.5390	2.0470	4.8750	.1570	22.0	BP			6-4-8561
2.1780	3.5390	2.0470	4.8750	.1570	20.0	HR			6-4-8561-1
2.1780	3.5390	2.0470	4.8750	.1570	22.0	SR			6-4-9221
2.1780	3.5390	2.0470	4.8750	.1570	20.0	HR			6-4-9221-1

2.2250-6 Spline

2.2250	2.8750	3.2500	5.3120	—	—	BP	6-4-2601X	98-1361	6-4-2331
2.2250	3.0000	3.2500	5.3120	—	22.0	BP	6-4-3041X	829-W	6-4-3031
2.2250	3.0000	3.2500	5.3120	—	22.0	BP	6-4-3461X	330499	6-4-3031
2.2250	3.0000	3.2500	5.4380	—	22.0	HR	6-4-3041-1X	829-W	6-4-3031-1

2.2500-10 Spline

2.2500	3.0000	2.8750	5.2500	—	—	BP			6-4-2511
2.2500	3.0000	3.0000	5.2500	—	14.0	BP			6-4-3871
2.2500	3.0000	3.0000	6.0620	.2500	24.0	BP	6-4-4411X	230921	6-4-1991
2.2500	3.0000	3.0000	6.0620	.2500	24.0	HR	6-4-4411-1X	230921	6-4-1991-1
2.2500	3.0000	3.0000	7.1880	.2500	45.0	BP	6-4-6891X	230921	6-4-4121
2.2500	3.1250	2.2500	5.2500	—	25.0	BP			6-4-2441
2.2500	3.2500	2.2500	5.0000	—	33.5	BP			6-4-3541
2.2500	3.2500	2.2500	5.2500	—	25.0	BP			6-4-1971
2.2500	3.2500	3.0000	5.2500	.2500	—	BP	6-4-4681X	230746	6-4-2501



END YOKES with SPLINED HOLES

Major Diameter	R	Q	S	C'Bore Depth	Joint Angle	Style	End Yoke Assy. (incl. slinger) Order When Listed	Slinger Part Number	Spicer Part Number	
	Ground Hub Dia.	Length Thru Hole	Centerline to End							
1710 SERIES (Continued)			E-6.094 (6.190 FOR HR STYLE) D-1.938				USE KIT 5-280X, & 5-675X			
FOR HR STYLE USE STRAP KIT 6.5-70-18X										
2.2500-10 Spline										
2.2500	3.3120	2.2500	5.2970	—	36.0	HR	6-4-8281-1X	232042-6	6-4-8271-1	
2.2500	3.5000	3.0000	5.2500	—	19.0	BP	6-4-6771X	230674	6-4-2141	
2.2500	3.5000	3.0000	5.2500	—	25.0	HR	6-4-6901-1X	231616	6-4-6861-1	
2.2500	3.7500	3.0000	5.2500	—	25.0	HR	6-4-7381-1X	231616	6-4-7371-1	
2.2600-6 Spline										
2.2600	3.2500	2.2500	5.3000	—	22.0	HR	6-4-8291-1X	232042-6	6-4-3501-1	
2.2740-44 Involute Spline										
2.2740	2.9380	2.3440	6.0000	—	40.0	BP			6-4-9551	
2.2740	2.9380	2.3590	5.0310	—	27.5	BP	6-4-7971X	231022	6-4-7961	
2.2740	2.9380	2.3590	5.0310	—	27.5	HR	6-4-7971-1X	231022	6-4-7961-1	
2.2740	2.9380	2.3590	5.0310	—	27.5	HR	6-4-9161-1X	232604	6-4-7961-1	
2.2740	2.9380	2.5000	5.1880	—	27.0	BP	6-4-6041X	231022	6-4-8461	
2.2740	2.9380	2.5000	5.1880	—	27.0	BP	6-4-8551X	232168	6-4-8461	
2.2740	2.9380	2.5000	5.1880	—	25.5	HR	6-4-6041-1X	231022	6-4-8461-1	
2.2740	2.9380	2.5000	5.1880	—	25.5	HR	6-4-8551-1X	232168	6-4-8461-1	
2.2740	3.0000	2.5000	5.1900	.2360	23.0	BP	6-4-8981X	232511	6-4-8451	
2.2740	3.0000	2.5000	5.1900	.2360	30.0	HR	6-4-8981-1X	232511	6-4-8451-1	
2.3430-45 Involute Spline										
2.3430	3.7500	3.0000	5.2500	—	25.0	BP	6-4-7271X	231616	6-4-7251	
2.3430	3.7500	3.0000	5.2500	—	25.0	HR	6-4-7271-1X	231616	6-4-7251-1	
2.3500-16 Spline										
2.3500	3.3120	2.7500	4.9380	—	20.5	BP	6-4-5071X	230746	6-4-4601 <i>Coupling shaft yoke</i>	
2.3500	3.3120	2.7500	4.9380	—	20.5	HR			6-4-4601-1 <i>Coupling shaft yoke</i>	
2.3500	3.7500	2.7500	5.1880	—	19.5	BP			6-4-5341 <i>Hub machined for speedometer gear</i>	
2.3510-16 Spline										
2.3510	3.7500	2.7500	5.1880	—	19.5	BP			6-4-4531 <i>Hub machined for speedometer gear</i>	
2.3600-18 Involute Spline										
2.3600	3.5000	3.3750	6.0940	—	21.0	BP			6-4-5271	
2.3640-18 Involute Spline										
2.3640	3.0000	2.7500	5.2810	.4400	12.0	BP			6-4-5831	
2.3640	3.5000	3.3750	5.7500	—	18.0	BP			6-4-4561	
2.3640	3.5000	3.3750	5.7500	—	18.0	HR			6-4-4561-1	
2.3640	3.5000	3.3750	6.0620	—	24.0	BP			6-4-6671	
2.3640	3.7500	2.3440	5.0940	—	23.0	BP			6-4-6971 <i>Hub machined for speedometer gear</i>	
2.3640-36 Involute Spline										
2.3640	3.0000	2.6880	5.4380	—	22.0	BP	6-4-7191X	231750	6-4-5711	
2.3640	3.0000	2.6880	5.4380	—	28.5	BP	6-4-7211X	231755	6-4-7201	
2.3640	3.0000	2.6880	5.4380	—	22.0	HR	6-4-8701-1X	232200	6-4-8691-1	
2.3640	3.0000	2.6880	5.4380	—	28.5	HR	6-4-8721-1X	232199	6-4-8711-1	
2.3640	3.0000	2.6880	6.5000	—	45.0	BP	6-4-7241X	231750	6-4-5801	
2.3640	3.0000	2.7030	6.5000	—	41.5	HR	6-4-8781-1X	232200	6-4-8771-1	
2.3640	3.5000	2.5000	5.2340	.3060	30.0	HR	6-4-8801-1X	232201	6-4-8791-1	
2.3720-46 Involute Spline										
2.3720	3.0000	3.4840	5.7340	.4900	25.0	HR	6-4-7731-1X	231305	6-4-6991-1	
2.3720	3.0000	3.5000	5.7500	—	25.0	HR	6-4-9321-1XM	232646	6-4-9311-1M <i>Metric yoke</i>	
2.3720	3.0000	3.8750	6.3440	—	25.0	HR	6-4-9791-1X	232638	6-4-9781-1	
2.3720	3.0000	3.9400	6.3400	—	25.0	HR	6-4-9831-1XM	232855	6-4-9821-1M	
2.3720	3.0000	4.0000	6.3440	—	22.0	HR	6-4-6241-1X	9-68-43	6-4-6211-1	
2.3720	3.1250	3.0510	6.2300	.5000	11.5	HR			6-4-6231-1 <i>Flanged end yoke.</i>	

