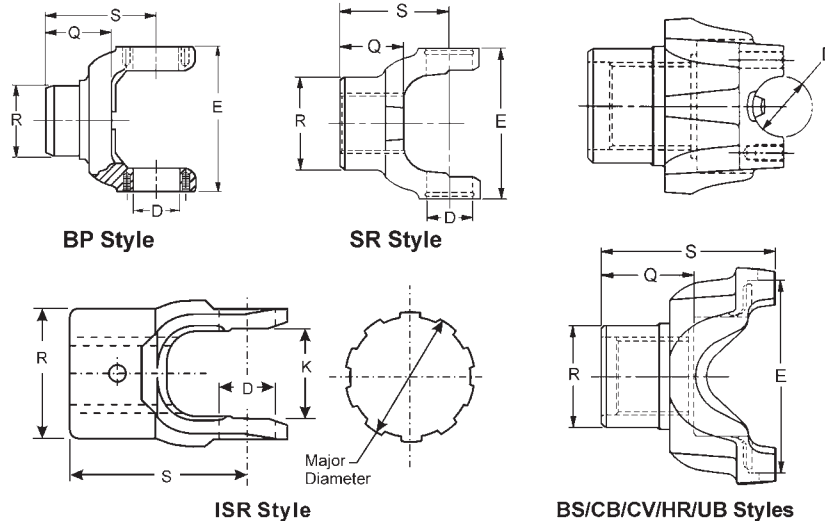


END YOKES with SPLINED HOLES



Major Diameter	R	Q	S	C'Bore Depth	Joint Angle	Style	End Yoke Assy. (incl. slinger) Order When Listed	Slinger Part Number	Spicer Part Number
	Ground Hub Dia.	Length Thru Hole	Centerline to End						

1710 SERIES (Continued) E-6.094 (6.190 FOR HR STYLE) D-1.938 USE KIT 5-280X, & 5-675X

FOR HR STYLE USE STRAP KIT 6.5-70-18X

2.3730-36 Involute Spline

2.3730	3.0000	1.8440	4.2500	.3000	22.0	BP			6-4-5741
2.3730	3.0000	2.0940	4.2500	.3100	22.5	HR			6-4-8831-1
2.3730	3.3750	2.5000	5.0940	—	30.0	HR			6-4-7081-1

2.3740-46 Spline

2.3740	3.2500	2.3120	5.1250	.1400	22.5	HR	6-4-9531-1X	232746	6-4-9911-1
2.3740	3.2500	2.3280	5.3910	.1400	29.0	BP	6-4-7181X	231803	6-4-7161
2.3740	3.2500	2.3280	5.3910	.1400	29.0	HR	6-4-7181-1X	231803	6-4-7161-1
2.3740	3.2500	2.3440	6.5000	.1400	45.0	BP	6-4-7771X	231803	6-4-7761
2.3740	3.2500	2.3440	6.5000	.1400	45.0	HR	6-4-7771-1X	231803	6-4-7761-1
2.3740	3.2500	2.6250	5.6880	—	22.0	BP	6-4-5461X	231179	6-4-5451
2.3740	3.2500	2.6250	5.6880	—	22.0	HR	6-4-5461-1X	231179	6-4-5451-1
2.3740	3.2500	2.8750	5.9380	.1400	26.0	BP	6-4-5961X	231179	6-4-5931
2.3740	3.2500	2.8750	5.9380	.1400	26.0	BP	6-4-6961X	231615	6-4-5931
2.3740	3.2500	2.8750	5.9380	.1400	26.0	HR	6-4-5961-1X	231179	6-4-5931-1
2.3740	3.2500	2.8750	5.9380	.1400	26.0	HR	6-4-6961-1X	231615	6-4-5931-1
2.3740	3.2500	2.8910	6.9380	.1400	45.0	BP	6-4-7851X	231615	6-4-7831
2.3740	3.2500	2.8910	6.9380	.1400	45.0	HR	6-4-7851-1X	231615	6-4-7831-1
2.3740	3.5000	2.4060	5.1560	—	27.5	BP	6-4-8341X	232042-10	6-4-5841
2.3740	3.5000	2.4060	5.1560	—	22.0	HR	6-4-8341-1X	232042-10	6-4-5841-1
2.3740	3.7520	2.4220	4.9380	—	27.0	BP	6-4-7881X		6-4-6601

Includes speedometer gear

6-4-6601

Includes speedometer gear

6-4-6601-1

Includes speedometer gear

6-4-6601-1

Includes speedometer gear

2.3750-16 Spline

2.3750	3.1250	2.8120	5.3120	.6900	28.0	BP			6-4-3081
--------	--------	--------	--------	-------	------	----	--	--	----------

2.3770-18 Involute Spline

2.3770	2.9530	2.8750	3.8750	.5000	8.0	BP			6-4-6501
--------	--------	--------	--------	-------	-----	----	--	--	----------

2.3900-46 Involute Spline

2.3900	2.8750	2.7500	4.9380	—	20.5	HR			6-4-7481-1
--------	--------	--------	--------	---	------	----	--	--	------------

Coupling shaft yoke w/c'bore at hub end

2.3900	3.2500	2.8750	5.9380	.1400	29.0	HR			6-4-9131-1
--------	--------	--------	--------	-------	------	----	--	--	------------

2.3900	3.3750	3.1880	6.0000	.5800	25.0	BP	6-4-7531X	231013	6-4-7511
--------	--------	--------	--------	-------	------	----	-----------	--------	----------

2.3900	3.3750	3.1880	6.0000	.5800	23.0	HR	6-4-7531-1X	231013	6-4-7511-1
--------	--------	--------	--------	-------	------	----	-------------	--------	------------

2.3900	3.3750	3.1880	6.0000	.5800	23.0	HR	6-4-9201-1X	232610	6-4-7511-1
--------	--------	--------	--------	-------	------	----	-------------	--------	------------

2.3900	3.5000	3.3750	5.7500	—	16.0	BP			6-4-4771
--------	--------	--------	--------	---	------	----	--	--	----------

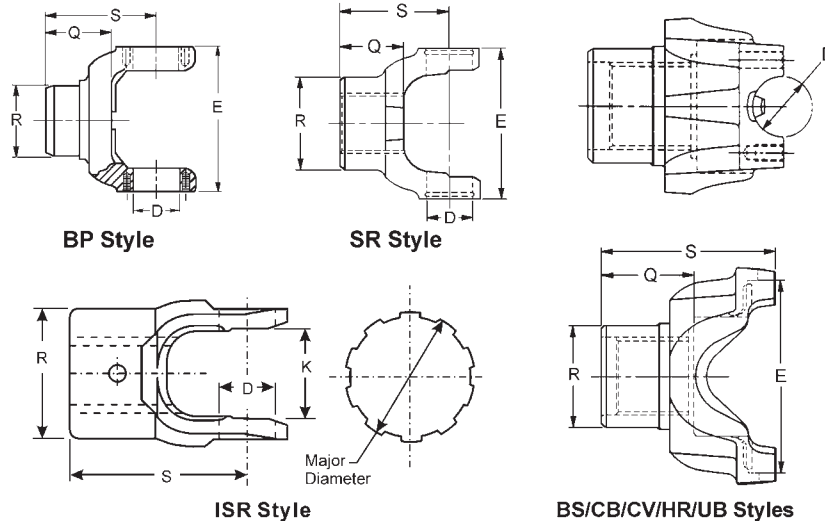
2.3900	3.5000	3.3750	5.7500	—	16.0	HR			6-4-4771-1
--------	--------	--------	--------	---	------	----	--	--	------------



END YOKES with SPLINED HOLES

Major Diameter	R	Q	S	C'Bore Depth	Joint Angle	Style	End Yoke Assy. (incl. slinger) Order When Listed	Slinger Part Number	Spicer Part Number	
	Ground Hub Dia.	Length Thru Hole	Centerline to End							
1710 SERIES (Continued)			E-6.094 (6.190 FOR HR STYLE) D-1.938				USE KIT 5-280X, & 5-675X			
FOR HR STYLE USE STRAP KIT 6.5-70-18X										
2.4220-18 Involute Spline										
2.4220	3.3750	3.0000	5.2500	—	12.5	BP			6-4-3161	
2.4220	3.3750	3.0000	5.8120	.3800	26.5	BP	6-4-4751X	231013	6-4-4581	
2.4220	3.3750	3.0000	5.8120	.3800	20.0	HR	6-4-4751-1X	231013	6-4-4581-1	
2.4500-47 Involute Spline										
2.4500	3.9000	2.4280	5.1900	.7500	27.0	BP			6-4-8471	
2.5000-10 Spline										
2.5000	3.2500	3.0000	4.8750	—	25.0	BP	6-4-6761X	231179	6-4-2251	
2.5000	3.2500	3.0000	5.0000	—	25.0	HR	6-4-6761-1X	231179	6-4-2251-1	
2.5000	3.2500	3.0000	5.7500	—	29.0	BP	6-4-9151X	231179	6-4-9141	
2.5000	3.5000	2.4060	5.1560	—	28.0	HR	6-4-8321-1X	232042-10	6-4-4421-1	
2.5000	3.5000	2.4060	5.1560	—	28.0	HR	6-4-8351-1X	232042-11	6-4-4421-1	
2.5000	3.5000	3.0000	5.7500	—	29.0	BP			6-4-4781	
2.5000	3.7500	3.0000	5.6250	—	30.0	BP	6-4-6921X	231616	6-4-6611	
									<i>Hub machined for speedometer gear</i>	
2.5000	3.7500	3.0000	5.6250	—	30.0	HR	6-4-6921-1X	231616	6-4-6611-1	
									<i>Hub machined for speedometer gear</i>	
2.5000-24 Involute Spline										
2.5000	3.0000	2.4220	4.6720	—	22.5	HR			6-4-8841-1	
2.5440-49 Involute Spline										
2.5440	3.7550	3.0000	5.6250	—	22.0	BP	6-4-7041X	231616	6-4-7051	
									<i>Hub machined for speedometer gear</i>	
2.5440	3.7550	3.0000	5.6250	—	22.5	HR	6-4-7041-1X	231616	6-4-7051-1	
									<i>Hub machined for speedometer gear</i>	
2.5440	4.0000	2.7500	5.1880	.1800	20.0	BP			6-4-7691	
									<i>Hub machined for speedometer gear</i>	
2.5440	4.0000	2.7500	5.1880	.1800	20.0	HR			6-4-7691-1	
									<i>Hub machined for speedometer gear</i>	
2.5880-40 Involute Spline										
2.5880	4.0000	3.5100	6.3400	—	25.0	HR	6-4-9751-1XM	232760	6-4-9741-1M	
2.5880	4.0000	3.6400	6.3400	—	25.0	HR	6-4-9571-1XM	232759	6-4-9561-1M	
2.6310-25 Involute Spline										
2.6310	3.6250	2.5620	5.2500	1.0000	—	BP			6-4-4921	
2.6310	3.6250	3.0000	5.2500	—	30.0	BP			6-4-3021	
2.6350-20 Involute Spline										
2.6350	3.7500	2.7500	5.1880	—	21.0	BP	6-4-7071X	231745	6-4-5351	
									<i>Hub machined for speedometer gear</i>	
2.6350	3.7500	2.7500	5.1880	—	21.0	HR	6-4-7071-1X	231745	6-4-5351-1	
									<i>Hub machined for speedometer gear</i>	
2.6350	4.0000	2.7500	5.1880	—	20.0	BP			6-4-7681	
2.7500-10 Spline										
2.7500	3.5000	3.0000	5.7500	—	22.0	BP	6-4-5251X	230674	6-4-4551	
2.7500	3.5000	3.0000	5.7500	—	22.0	HR			6-4-4551-1	
2.7500	3.7500	3.0000	5.7500	—	20.5	BP	6-4-6841X	230902	6-4-6631	
2.7500	3.7500	3.0000	5.7500	—	20.0	HR	6-4-6841-1X	230902	6-4-6631-1	
2.7500	3.7500	3.0000	5.7500	—	22.0	BP	6-4-6931X	231616	6-4-6821	
2.7500	3.7500	3.0000	5.7500	—	20.5	HR	6-4-6931-1X	231616	6-4-6821-1	
2.7500	3.8120	3.0000	5.7500	—	20.5	HR			6-4-7661-1	
									<i>Hub diameter not ground.</i>	
2.7500	4.0000	2.9380	5.3120	—	20.0	BP			6-4-4651	
									<i>Hub machined for speedometer gear</i>	
2.7500	4.0000	2.9380	5.3120	—	20.0	HR			6-4-4651-1	
									<i>Hub machined for speedometer gear</i>	
2.7840-55 Involute Spline										
2.7840	4.7250	2.0470	5.0000	.1500	26.5	BP			6-4-8851	
									<i>Metric spline-. 120"</i>	
2.7840	4.7250	2.0470	5.0000	.1500	27.0	HR			6-4-8851-1	
									<i>Metric spline-. 120"</i>	
2.7940-54 Involute Spline										
2.7940	—	2.7500	5.6250	—	—	BP			6-4-9231	
2.7940	—	2.7500	5.6250	—	—	HR			6-4-9231-1	





Major Diameter	R	Q	S	C/Bore Depth	Joint Angle	Style	End Yoke Assy. (incl. slinger) Order When Listed	Slinger Part Number	Spicer Part Number	
	Ground Hub Dia.	Length Thru Hole	Centerline to End							
1710 SERIES (Continued)			E-6.094 (6.190 FOR HR STYLE) D-1.938				USE KIT 5-280X, & 5-675X			
FOR HR STYLE USE STRAP KIT 6.5-70-18X										
2.9220-22 Involute Spline										
2.9220	3.5000	2.6250	5.2500	—	29.0	BP			6-4-5201	
2.9220	3.7500	2.6410	5.0000	—	18.0	HR			6-4-8821-1	
3.0030-23 Involute Spline										
3.0030	4.0000	3.0310	4.8440	—	8.0	BP			6-4-3141	
1760 SERIES			E-7.000 (7.094 FOR HR STYLE) D-1.938				USE KIT 5-407X, 5-677X			
FOR HR STYLE USE STRAP KIT 6.5-70-18X										
1.9390-30 Involute Spline										
1.9390	3.0000	2.2500	5.2500	—	30.0	BP			6.3-4-431	
1.9640-10 Spline										
1.9640	2.6250	2.2500	5.6250	—	30.0	BP	6.3-4-221X	230998	6.3-4-111 .250 deep spline chamfer	
1.9980-38 Involute Spline										
1.9980	3.0000	2.1250	4.8440	—	30.0	HR	6.3-4-1501-1X	232200	6.3-4-1491-1	
2.0000-10 Spline										
2.0000	2.9380	2.5620	5.3750	—	30.0	BP	6.3-4-181X	98-1361	6.3-4-71	
2.0240-39 Spline										
2.0240	2.7500	2.4380	5.2500	.1250	30.0	HR	6.3-4-801-1X	231599	6.3-4-601-1	
2.0240	3.0000	2.3120	5.1880	.1250	30.0	BP	6.3-4-1141X	231866	6.3-4-531	
2.0240	3.0000	2.3120	5.1880	.1250	30.0	BP	6.3-4-541X	231047	6.3-4-531	
2.0240	3.0000	2.3120	5.1880	.1250	30.0	HR	6.3-4-1341-1X	231047	6.3-4-531-1	
2.0240	3.0000	2.3120	5.1880	.1250	30.0	HR	6.3-4-541-1X	231047	6.3-4-531-1	
2.0240-39 Involute Spline										
2.0240	3.0000	2.2500	5.6250	.2800	30.0	HR	6.3-4-1711-1X	232199	6.3-4-1701-1	
2.1140-32 Involute Spline										
2.1140	3.0000	2.2500	5.0000	.4240	30.5	HR	6.3-4-1521-1X	232200	6.3-4-1511-1	
2.1430-41 Involute Spline										
2.1430	2.9380	2.5000	5.2500	—	30.0	BP	6.3-4-1071X	231028	6.3-4-1061	
2.1430	2.9380	2.5000	5.2500	—	30.0	HR	6.3-4-1071-1X	231028	6.3-4-1061-1	
2.1490-16 Spline										
2.1490	2.9380	2.5000	5.2500	—	30.0	BP	6.3-4-231X	231022	6.3-4-121	
2.1490	2.9380	3.0000	5.8120	.3800	30.0	BP	6.3-4-251X	231028	6.3-4-141	
2.1490	2.9380	3.0000	5.8120	.3800	30.0	HR	6.3-4-251-1X	231028	6.3-4-141-1	
2.1780-43 Involute Spline										
2.1780	3.5390	2.0500	5.5000	.1570	30.0	HR			6.3-4-1591-1	
2.2250-6 Spline										
2.2250	3.0000	3.2500	6.0000	—	30.0	BP	6.3-4-171X	829W	6.3-4-51	
2.2250	3.0000	3.2500	6.0000	—	30.0	HR	6.3-4-171-1X	829-W	6.3-4-51-1	

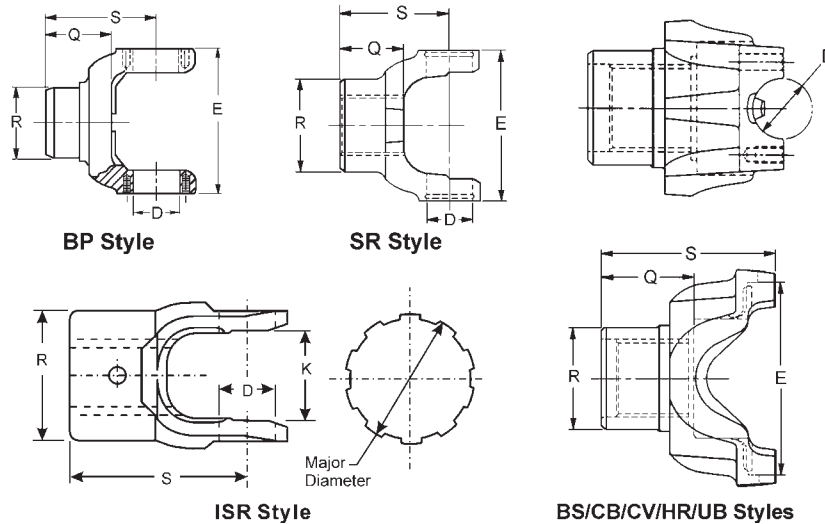


END YOKES with SPLINED HOLES



Major Diameter	R	Q	S	C'Bore Depth	Joint Angle	Style	End Yoke Assy. (incl. slinger) Order When Listed	Slinger Part Number	Spicer Part Number	
	Ground Hub Dia.	Length Thru Hole	Centerline to End							
1760 SERIES (Continued)			E-7.000 (7.094 FOR HR STYLE)				D-1.938	USE KIT 5-407X, 5-677X		
FOR HR STYLE USE STRAP KIT 6.5-70-18X										
2.2500-10 Spline										
2.2500	3.0000	3.0000	5.8440	.2500	30.0	BP	6.3-4-731X	230921	6.3-4-91	
2.2500	3.0000	3.0000	5.8440	.2500	30.0	HR	6.3-4-731-1X	230921	6.3-4-91-1	
2.2500	3.7500	3.0000	5.6250	—	30.0	HR	6.3-4-1101-1X	231616	6.3-4-1091-1	
2.2740-44 Involute Spline										
2.2740	2.9380	2.3280	5.0940	—	30.0	BP	6.3-4-1331X	231022	6.3-4-1321	
2.2740	2.9380	2.3280	5.0940	—	30.0	HR	6.3-4-1331-1X	231022	6.3-4-1321-1	
2.2740	2.9380	2.3280	5.0940	—	30.0	HR	6.3-4-1621-1X	232604	6.3-4-1321-1	
2.2740	2.9380	2.5000	5.2500	—	30.0	BP	6.3-4-1481X	232168	6.3-4-1421	
2.2740	2.9380	2.5000	5.2500	—	30.0	BP	6.3-4-331X	231022	6.3-4-1421	
2.2740	2.9380	2.5000	5.2500	—	30.0	HR	6.3-4-1481-1X	232168	6.3-4-1421-1	
2.2740	2.9380	2.5000	5.2500	—	30.0	HR	6.3-4-331-1X	231022	6.3-4-1421-1	
2.2740	3.0000	2.5000	5.2500	.2360	30.0	BP	6.3-4-5221X	232511	6.3-4-1411	
2.2740	3.0000	2.5000	5.2500	.2360	30.0	HR	6.3-4-5221-1X	232511	6.3-4-1411-1	
2.3430-45 Involute Spline										
2.3430	3.7500	3.0000	5.6560	—	30.0	BP	6.3-4-901X	231616	6.3-4-841	
2.3430	3.7500	3.0000	5.6560	—	30.0	HR	6.3-4-901-1X	231616	6.3-4-841-1	
2.3500-16 Spline										
2.3500	2.8750	2.7500	5.5000	—	30.0	BP			6.3-4-161	
									<i>Coupling shaft yoke</i>	
2.3500	2.8750	2.7500	5.5000	—	30.0	HR			6.3-4-161-1	
									<i>Coupling shaft yoke</i>	
2.3640-18 Involute Spline										
2.3640	3.5000	3.3750	6.1250	—	30.0	BP			6.3-4-271	
2.3640	3.5000	3.3750	6.1250	—	30.0	HR			6.3-4-271-1	
2.3640-36 Involute Spline										
2.3640	3.0000	2.6880	5.4380	—	30.0	HR	6.3-4-1541-1X	232200	6.3-4-1531-1	
2.3640	3.0000	2.6880	5.4380	—	30.0	HR	6.3-4-1561-1X	232199	6.3-4-1551-1	
2.3640	3.0000	2.6880	5.4380	—	30.0	BP	6.3-4-1021X	231750	6.3-4-441	
2.3640	3.0000	2.6880	5.4380	—	30.0	BP	6.3-4-851X	231755	6.3-4-831	
2.3640	3.5000	2.4850	5.2300	.3060	30.0	HR	6.3-4-1611-1X	232201	6.3-4-1601-1	
2.3740-46 Spline										
2.3740	3.2500	2.3280	5.0620	.1400	30.0	BP	6.3-4-1041X	231803	6.3-4-1031	
2.3740	3.2500	2.3280	5.0620	.1400	30.0	HR	6.3-4-1041-1X	231803	6.3-4-1031-1	
2.3740	3.2500	2.6250	5.4380	—	30.0	BP	6.3-4-211X	231179	6.3-4-101	
2.3740	3.2500	2.6250	5.4380	—	30.0	HR	6.3-4-211-1X	231179	6.3-4-101-1	
2.3740	3.2500	2.8750	5.6250	.1400	30.0	BP	6.3-4-301X	231179	6.3-4-291	
2.3740	3.2500	2.8750	5.6250	.1400	30.0	BP	6.3-4-861X	231615	6.3-4-291	
2.3740	3.2500	2.8750	5.6250	.1400	30.0	HR	6.3-4-301-1X	231179	6.3-4-291-1	
2.3740	3.2500	2.8750	5.6250	.1400	30.0	HR	6.3-4-861-1X	231615	6.3-4-291-1	
2.3740	3.5000	2.4060	5.3750	—	30.0	BP	6.3-4-1391X	232042-10	6.3-4-391	
2.3740	3.5000	2.4060	5.3750	—	30.0	HR	6.3-4-1391-1X	232042-10	6.3-4-391-1	
2.3740	3.7500	2.4220	5.4060	—	30.0	BP	6.3-4-1281X		6.3-4-641	
									<i>Includes speedometer gear</i>	
2.3740	3.7500	2.4220	5.4060	—	30.0	HR	6.3-4-1271-1X		6.3-4-641-1	
									<i>Includes speedometer gear</i>	
2.3740	3.7500	2.4220	5.4060	—	30.0	HR	6.3-4-1281-1X		6.3-4-641-1	
									<i>Includes speedometer gear</i>	
2.3900-46 Involute Spline										
2.3900	2.8750	2.7500	5.5000	—	30.0	HR			6.3-4-821-1	
									<i>Coupling shaft yoke</i>	
2.3900	3.3750	3.1880	6.0000	.5800	30.0	BP	6.3-4-1161X	231013	6.3-4-1151	
2.3900	3.3750	3.1880	6.0000	.5800	30.0	HR	6.3-4-1161-1X	231013	6.3-4-1151-1	
2.3900	3.3750	3.1880	6.0000	.5800	30.0	HR	6.3-4-1651-1X	232610	6.3-4-1151-1	
2.3900	3.5000	3.3750	6.0000	—	26.0	BP			6.3-4-381	
2.3900	3.5000	3.3750	6.0000	—	26.0	HR			6.3-4-381-1	
2.4220-18 Involute Spline										
2.4220	3.3750	3.0000	6.0000	.3800	30.0	BP	6.3-4-241X	231013	6.3-4-131	
2.4220	3.3750	3.0000	6.0000	.3800	30.0	HR	6.3-4-241-1X	231013	6.3-4-131-1	





Major Diameter	R	Q	S	C Bore Depth	Joint Angle	Style	End Yoke Assy. (incl. slinger) Order When Listed	Slinger Part Number	Spicer Part Number
	Ground Hub Dia.	Length Thru Hole	Centerline to End						

1760 SERIES (Continued) E-7.000 (7.094 FOR HR STYLE) D-1.938 USE KIT 5-407X, 5-677X

FOR HR STYLE USE STRAP KIT 6.5-70-18X

2.5000-10 Spline

2.5000	3.5000	2.4060	5.4060	—	30.0	BP	6.3-4-1401X	232042-11	6.3-4-151
2.5000	3.5000	2.4060	5.4060	—	30.0	HR	6.3-4-1401-1X	232042-11	6.3-4-151-1
2.5000	3.7500	3.0000	6.0000	—	32.0	BP	6.3-4-781X	231616	6.3-4-651
2.5000	3.7500	3.0000	6.0310	—	30.0	HR	6.3-4-781-1X	231616	6.3-4-651-1

Hub machined for speedometer gear
Hub machined for speedometer gear

2.5030-19 Involute Spline

2.5030	3.3440	3.0000	5.9380	—	30.0	BP			6.3-4-521
--------	--------	--------	--------	---	------	----	--	--	-----------

2.5440-49 Involute Spline

2.5440	3.7500	3.0000	6.0310	—	30.0	BP	6.3-4-771X	231616	6.3-4-811
2.5440	3.7500	3.0000	6.0310	—	28.0	HR	6.3-4-771-1X	231616	6.3-4-811-1
2.5440	4.0000	2.7500	5.5620	.1800	30.0	BP			6.3-4-1251
2.5440	4.0000	2.7500	5.5620	.1800	30.0	HR			6.3-4-1251-1

Hub machined for speedometer gear
Hub machined for speedometer gear

2.6350-20 Involute Spline

2.6350	3.7500	2.7500	5.5620	—	30.0	HR	6.3-4-871-1X	231745	6.3-4-41-1
--------	--------	--------	--------	---	------	----	--------------	--------	------------

Hub machined for speedometer gear

2.7500-10 Spline

2.7500	—	3.0000	5.9690	—	30.0	HR			6.3-4-1201-1
2.7500	3.7500	3.0000	5.9690	—	30.0	BP	6.3-4-721X	230902	6.3-4-661
2.7500	3.7500	3.0000	5.9690	—	30.0	BP	6.3-4-791X	231616	6.3-4-711
2.7500	3.7500	3.0000	5.9690	—	30.0	HR	6.3-4-791-1X	231616	6.3-4-711-1
2.7500	4.0000	2.9380	6.0000	—	30.0	BP			6.3-4-61

Hub machined for speedometer gear
Hub machined for speedometer gear

2.7940-54 Involute Spline

2.7940	—	2.7500	5.6250	—	—	BP			6.3-4-1681
2.7940	—	2.7500	5.6250	—	—	HR			6.3-4-1681-1
2.7940	3.7500	3.0000	5.9700	—	30.0	HR			6.3-4-1051-1

Hub diameter not ground.
Hub diameter not ground.

2.7980-21 Involute Spline

2.7980	3.5310	2.0780	4.8440	.0800	30.0	HR			6.3-4-1191-1
--------	--------	--------	--------	-------	------	----	--	--	--------------

1800 SERIES E-6.594 D-2.312 USE KIT 5-124X

2.0020-15 Involute Spline

2.0020	3.2500	2.7030	4.9380	.6870	22.0	BP			6.5-4-2961
--------	--------	--------	--------	-------	------	----	--	--	------------



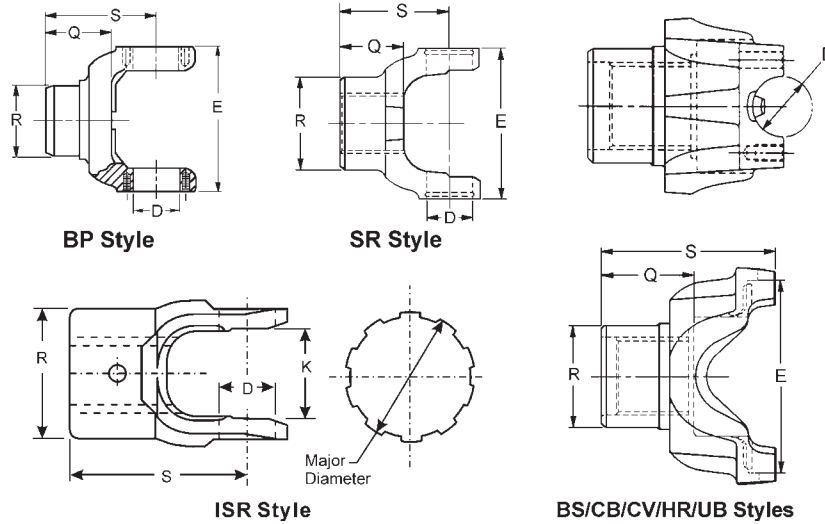
END YOKES with SPLINED HOLES



Major Diameter	R	Q	S	C Bore Depth	Joint Angle	Style	End Yoke Assy. (incl. slinger) Order When Listed	Slinger Part Number	Spicer Part Number
	Ground Hub Dia.	Length Thru Hole	Centerline to End						
1810 SERIES									
E-7.547 (7.643 FOR HR STYLE) D-1.938							USE KIT 5-281X, 5-676X		
FOR HR STYLE USE STRAP KIT 6.5-70-18X									
1.9390-30 Involute Spline									
1.9390	3.0000	2.2500	5.3750	—	30.0	BP			6.5-4-2051
1.9620-10 Spline									
1.9620	3.0000	2.2500	5.5000	—	30.0	BP			6.5-4-4751
1.9640-10 Spline									
1.9640	2.6250	2.2500	5.6250	—	30.0	BP	6.5-4-2351X	230998	6.5-4-2001 <i>.250 deep spline chamfer</i>
2.0000-10 Spline									
2.0000	2.9380	2.5620	5.3750	—	30.0	BP	6.5-4-2341X	98-1361	6.5-4-1921
2.0050-15 Involute Spline									
2.0050	2.8750	2.5000	5.2500	.2500	30.0	BP			6.5-4-2911
2.0050	3.2500	2.3750	5.2810	—	30.0	BP			6.5-4-2821 <i>Tapered spline.</i>
2.0240-39 Spline									
2.0240	2.7500	2.0000	5.1880	.1250	30.0	HR	6.5-4-4281-1X	232042-2	6.5-4-3261-1
2.0240	2.7500	2.4380	5.5310	.0900	30.0	BP	6.5-4-3571X	231599	6.5-4-2781
2.0240	2.7500	2.4380	5.6250	.0900	30.0	HR	6.5-4-3571-1X	231599	6.5-4-2781-1
2.0240	3.0000	2.3120	5.1900	.1200	30.0	BP	6.5-4-3381X	231047	6.5-4-3371
2.0240	3.0000	2.3120	5.1900	.1200	30.0	HR	6.5-4-3381-1X	231047	6.5-4-3371-1
2.0240	3.0000	2.3120	5.1900	.1200	30.0	HR	6.5-4-4191-1X	232028	6.5-4-3371-1
2.0240	3.0000	2.3120	5.7500	.1200	30.0	HR	6.5-4-3881-1X	231047	6.5-4-3861-1
2.0240	3.0000	2.3200	5.1880	.0900	30.0	HR	6.5-4-3851-1X	231047	6.5-4-3841-1
2.0240	3.0000	2.4380	5.1880	.1200	30.0	BP	6.5-4-2491X	231047	6.5-4-2471
2.0240-39 Involute Spline									
2.0240	3.0000	2.2500	5.0000	.2800	30.0	HR	6.5-4-4661-1X	232199	6.5-4-4651-1
2.0310-10 Spline									
2.0310	2.7500	2.0000	5.2500	.1250	30.0	BP			6.5-4-2261
2.1140-32 Involute Spline									
2.1140	3.0000	2.2500	5.0000	.4240	30.0	HR	6.5-4-4461-1X	232200	6.5-4-4451-1
2.1430-41 Involute Spline									
2.1430	2.9380	2.5000	5.2500	—	29.5	BP	6.5-4-3691X	231028	6.5-4-3681
2.1430	2.9380	2.5000	5.2500	—	30.0	HR	6.5-4-3691-1X	231028	6.5-4-3681-1
2.1430	2.9380	2.5000	5.2500	—	30.0	HR	6.5-4-4601-1X	232604	6.5-4-3681-1
2.1430	2.9380	3.0000	5.8120	.3800	31.0	BP			6.5-4-3931
2.1430	2.9380	3.0000	5.8120	.3800	31.0	BP	6.5-4-4621X	232609	6.5-4-3931
2.1490-16 Spline									
2.1490	2.9380	2.5000	5.2190	—	30.0	BP	6.5-4-2451X	231022	6.5-4-2441
2.1490	2.9380	3.0000	5.8120	.3800	30.0	BP	6.5-4-2401X	231028	6.5-4-2291
2.1490	2.9380	3.0000	5.8120	.3800	30.0	HR	6.5-4-2401-1X	231028	6.5-4-2291-1
2.2250-6 Spline									
2.2250	3.0000	3.2500	6.0000	—	30.0	BP	6.5-4-2271X	829-W	6.5-4-1971
2.2250	3.0000	3.2500	6.0000	—	30.0	BP	6.5-4-2831X	330499	6.5-4-1971
2.2250	3.0000	3.2500	6.0000	—	30.0	HR			6.5-4-1971-1
2.2500-10 Spline									
2.2500	2.8750	3.0000	5.8750	.3120	30.0	BP			6.5-4-2131
2.2500	2.8750	3.0000	5.8750	.3120	30.0	HR			6.5-4-2131-1
2.2500	3.0000	3.0000	5.8440	.2500	30.0	BP	6.5-4-2551X	230921	6.5-4-1911
2.2500	3.1250	2.2500	5.3750	—	30.0	HR	6.5-4-4221-1X	232042-3	6.5-4-2141-1
2.2500	3.3120	2.2500	5.3750	—	30.0	HR	6.5-4-4241-1X	232042-6	6.5-4-4231-1
2.2500	3.5000	3.0000	5.8440	—	30.0	BP			6.5-4-2021
2.2500	3.7500	3.0000	5.8440	—	30.0	HR	6.5-4-3751-1X	231616	6.5-4-3741-1
2.2740-44 Involute Spline									
2.2740	2.9380	2.3440	5.0900	—	30.0	BP	6.5-4-4591X	232604	6.5-4-4081
2.2740	2.9380	2.3440	5.0900	—	30.0	HR	6.5-4-4091-1X	231022	6.5-4-4081-1
2.2740	2.9380	2.3440	5.0900	—	30.0	HR	6.5-4-4591-1X	232604	6.5-4-4081-1
2.2740	2.9380	2.5000	5.2500	—	30.0	BP	6.5-4-3281X	231022	6.5-4-4321
2.2740	2.9380	2.5000	5.2500	—	30.0	BP	6.5-4-4351X	232168	6.5-4-4321
2.2740	2.9380	2.5000	5.2500	—	30.0	HR	6.5-4-3281-1X	231022	6.5-4-4321-1



END YOKES with SPLINED HOLES



Major Diameter	R	Q	S	C'Bore Depth	Joint Angle	Style	End Yoke Assy. (incl. slinger) Order When Listed	Slinger Part Number	Spicer Part Number
	Ground Hub Dia.	Length Thru Hole	Centerline to End						

1810 SERIES (Continued) E-7.547 (7.643 FOR HR STYLE) D-1.938 USE KIT 5-281X, 5-676X

FOR HR STYLE USE STRAP KIT 6.5-70-18X

2.2740-44 Involute Spline (Continued)

2.2740	2.9380	2.5000	5.2500	—	30.0	HR	6.5-4-4351-1X	232168	6.5-4-4321-1
2.2740	3.0000	2.5000	5.2500	.2360	30.0	BP	6.5-4-4571X	232511	6.5-4-4311
2.2740	3.0000	2.5000	5.2500	.2360	30.0	HR	6.5-4-4571-1X	232511	6.5-4-4311-1

2.3500-16 Spline

2.3500	2.8750	2.7500	5.5000	—	30.0	BP	6.5-4-2531X	230746	6.5-4-1891 <i>Coupling shaft yoke</i>
2.3500	2.8750	2.7500	5.5000	—	30.0	HR			6.5-4-1891-1 <i>Coupling shaft yoke</i>
2.3500	3.7500	2.7500	5.5620	—	30.0	BP			6.5-4-3011 <i>Hub machined for speedometer gear</i>

2.3640-18 Involute Spline

2.3640	3.5000	3.3750	6.1250	—	30.0	BP			6.5-4-2581
2.3640	3.5000	3.3750	6.1250	—	30.0	HR			6.5-4-2581-1
2.3640	3.7500	2.3440	5.6250	—	30.0	HR			6.5-4-4211-1 <i>Hub machined for speedometer gear</i>

2.3640-36 Involute Spline

2.3640	3.0000	2.6880	5.4380	—	30.0	BP	6.5-4-3651X	231750	6.5-4-3161
2.3640	3.0000	2.6880	5.4380	—	30.0	BP	6.5-4-3641X	231755	6.5-4-3631
2.3640	3.0000	2.6880	5.4380	—	30.0	HR	6.5-4-4421-1X	232200	6.5-4-4411-1
2.3640	3.0000	2.6880	5.4380	—	30.0	HR	6.5-4-4441-1X	232199	6.5-4-4431-1

2.3740-46 Spline

2.3740	3.2500	2.3120	5.1560	.1400	30.0	BP	6.5-4-3731X	231803	6.5-4-3721
2.3740	3.2500	2.3120	5.1560	.1400	30.0	HR	6.5-4-3731-1X	231803	6.5-4-3721-1
2.3740	3.2500	2.3120	5.1560	.1400	30.0	HR	6.5-4-4511-1X	211831X	6.5-4-3721-1
2.3740	3.2500	2.3120	5.1560	.1400	30.0	HR	6.5-4-4721-1X	232747	6.5-4-3721-1
2.3740	3.2500	2.6250	5.4380	—	30.0	BP	6.5-4-2711X	231179	6.5-4-2701
2.3740	3.2500	2.6250	5.4380	—	30.0	HR	6.5-4-2711-1X	231179	6.5-4-2701-1
2.3740	3.2500	2.8750	5.6880	.1400	30.0	BP	6.5-4-3221X	231179	6.5-4-3201
2.3740	3.2500	2.8750	5.6880	.1400	30.0	BP	6.5-4-3581X	231615	6.5-4-3201
2.3740	3.2500	2.8750	5.6880	.1400	30.0	HR	6.5-4-3221-1X	231179	6.5-4-3201-1
2.3740	3.2500	2.8750	5.6880	.1400	30.0	HR	6.5-4-3581-1X	231615	6.5-4-3201-1
2.3740	3.5000	2.4060	5.4060	—	30.0	BP	6.5-4-4271X	232042-10	6.5-4-3251
2.3740	3.5000	2.4060	5.4060	—	30.0	HR	6.5-4-4271-1X	232042-10	6.5-4-3251-1
2.3740	3.7500	2.4060	5.2190	—	30.0	BP	6.5-4-4001X	231527	6.5-4-3441
									<i>Hub machined for speedometer gear</i>
2.3740	3.7500	2.4060	5.2190	—	30.0	BP	6.5-4-4011X	231528	6.5-4-3441
									<i>Hub machined for speedometer gear</i>
2.3740	3.7500	2.4060	5.2190	—	30.0	HR	6.5-4-4001-1X	231527	6.5-4-3441-1
									<i>Hub machined for speedometer gear</i>

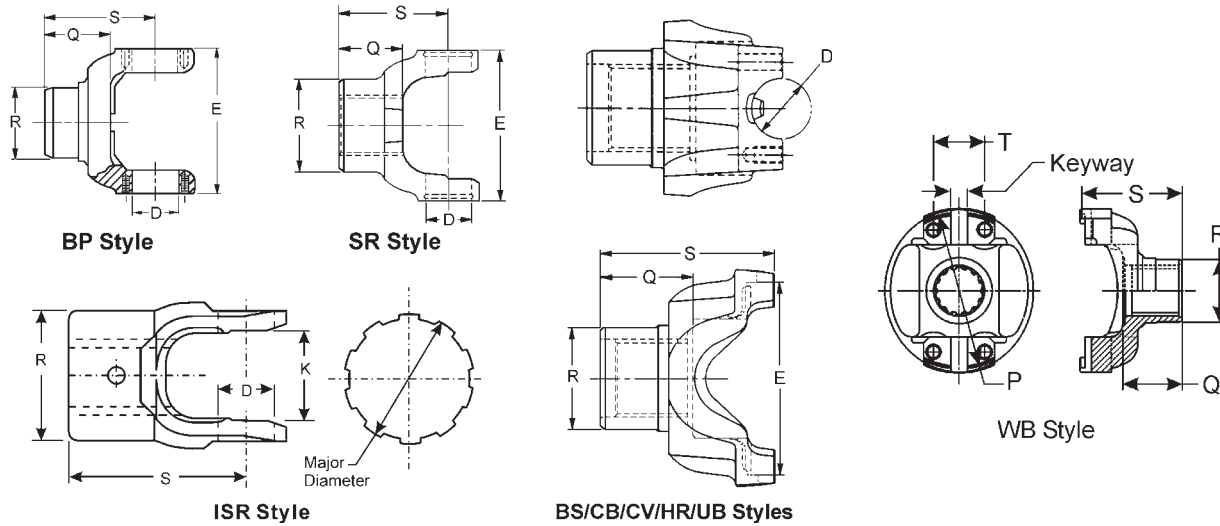


END YOKES with SPLINED HOLES



Major Diameter	R	Q	S	C'Bore Depth	Joint Angle	Style	End Yoke Assy. (incl. slinger) Order When Listed	Slinger Part Number	Spicer Part Number	
	Ground Hub Dia.	Length Thru Hole	Centerline to End							
1810 SERIES (Continued)			E-7.547 (7.643 FOR HR STYLE) D-1.938				USE KIT 5-281X, 5-676X			
FOR HR STYLE USE STRAP KIT 6.5-70-18X										
2.3740-46 Spline (Continued)										
2.3740	3.7500	2.4060	5.2190	—	30.0	HR	6.5-4-4011-1X	231528	6.5-4-3441-1 <i>Hub machined for speedometer gear</i>	
2.3900-46 Involute Spline										
2.3900	2.8750	2.7500	5.5000	—	30.0	HR			6.5-4-3591-1 <i>Coupling shaft yoke</i>	
2.3900	3.3750	3.1880	6.0000	.5800	30.0	BP	6.5-4-3921X	231013	6.5-4-3911	
2.3900	3.3750	3.1880	6.0000	.5800	30.0	BP	6.5-4-4611X	232610	6.5-4-3911	
2.3900	3.3750	3.1880	6.0000	.5800	30.0	HR	6.5-4-3921-1X	231013	6.5-4-3911-1	
2.3900	3.3750	3.1880	6.0000	.5800	30.0	HR	6.5-4-4611-1X	232610	6.5-4-3911-1	
2.3900	3.5000	3.3750	6.1560	—	23.0	BP			6.5-4-2541	
2.3900	3.5000	3.3750	6.1560	—	30.0	HR			6.5-4-2541-1	
2.4220-18 Involute Spline										
2.4220	3.3750	3.0000	5.8120	.3800	30.0	BP	6.5-4-2361X	231013	6.5-4-1991	
2.4220	3.3750	3.0000	5.8120	.3800	30.0	HR	6.5-4-2361-1X	231013	6.5-4-1991-1	
2.4500-47 Involute Spline										
2.4500	3.6250	2.5000	5.3120	.7500	30.0	BP			6.5-4-2921	
2.5000-10 Spline										
2.5000	3.2500	3.0000	5.7810	—	30.0	BP	6.5-4-3711X	231179	6.5-4-2561	
2.5000	3.2500	3.0000	5.7810	—	30.0	HR	6.5-4-3711-1X	231179	6.5-4-2561-1	
2.5000	3.5000	2.4060	5.4060	—	30.0	BP	6.5-4-4291X	232042-11	6.5-4-2101	
2.5000	3.5000	2.4060	5.4060	—	25.0	HR	6.5-4-4261-1X	232042-10	6.5-4-2101-1	
2.5000	3.5000	2.4060	5.4060	—	30.0	BP	6.5-4-4291-1X	232042-10	6.5-4-2101-1	
2.5000	3.5000	3.0000	5.7810	—	30.0	BP			6.5-4-2151	
2.5000	3.7500	3.0000	5.8750	—	30.0	BP	6.5-4-3551X	231616	6.5-4-3451	
									<i>Hub machined for speedometer gear</i>	
2.5000	3.7500	3.0000	5.8750	—	30.0	HR	6.5-4-3551-1X	231616	6.5-4-3451-1	
									<i>Hub machined for speedometer gear</i>	
2.5440-49 Involute Spline										
2.5440	3.7500	3.0000	5.8750	—	30.0	BP	6.5-4-3621X	231616	6.5-4-3611	
									<i>Hub machined for speedometer gear</i>	
2.5440	3.7500	3.0000	5.8750	—	28.5	HR	6.5-4-3621-1X	231616	6.5-4-3611-1	
									<i>Hub machined for speedometer gear</i>	
2.5440	4.0000	2.7500	5.5620	.1800	30.0	HR			6.5-4-3821-1	
2.5600-20 Involute Spline										
2.5600	3.5000	3.3440	6.1250	—	28.5	BP			6.5-4-3361	
2.5600	3.5000	3.3440	6.1250	—	28.5	HR			6.5-4-3361-1	
2.6310-25 Involute Spline										
2.6310	3.6250	3.0000	5.7810	—	30.0	BP			6.5-4-2181	
2.6350-20 Involute Spline										
2.6350	3.7500	2.7500	5.5620	—	30.0	BP			6.5-4-2011	
									<i>Hub machined for speedometer gear</i>	
2.6350	3.7500	2.7500	5.5620	—	30.0	BP	6.5-4-3541X	231745	6.5-4-3021	
									<i>Hub machined for speedometer gear</i>	
2.6350	3.7500	2.7500	5.5620	—	30.0	HR	6.5-4-3541-1X	231745	6.5-4-3021-1	
									<i>Hub machined for speedometer gear</i>	
2.6350	3.7500	3.3120	6.0620	.5600	30.0	BP	6.5-4-2601X	230888	6.5-4-1941	
2.6350	4.0000	3.2810	6.0620	.5600	26.0	BP	6.5-4-4551X	230888	6.5-4-4541	
2.7500-10 Spline										
2.7500	3.5000	3.0000	6.0620	—	30.0	BP	6.5-4-2931X	230674	6.5-4-1901	
2.7500	3.7500	3.0000	6.0620	—	30.0	BP	6.5-4-3501X	230902	6.5-4-3461	
2.7500	3.7500	3.0000	6.0620	—	30.0	HR	6.5-4-3501-1X	230902	6.5-4-3461-1	
2.7500	3.7500	3.0000	6.0620	.1200	30.0	BP	6.5-4-3561X	231616	6.5-4-3491	
2.7500	3.7500	3.0000	6.0620	.1200	30.0	HR	6.5-4-3561-1X	231616	6.5-4-3491-1	
2.7500	3.8750	3.0000	6.0620	—	30.0	HR			6.5-4-3801-1	
									<i>Hub diameter not ground.</i>	
2.7500	4.0000	2.9380	6.0000	—	30.0	BP			6.5-4-2171	
									<i>Hub machined for speedometer gear</i>	





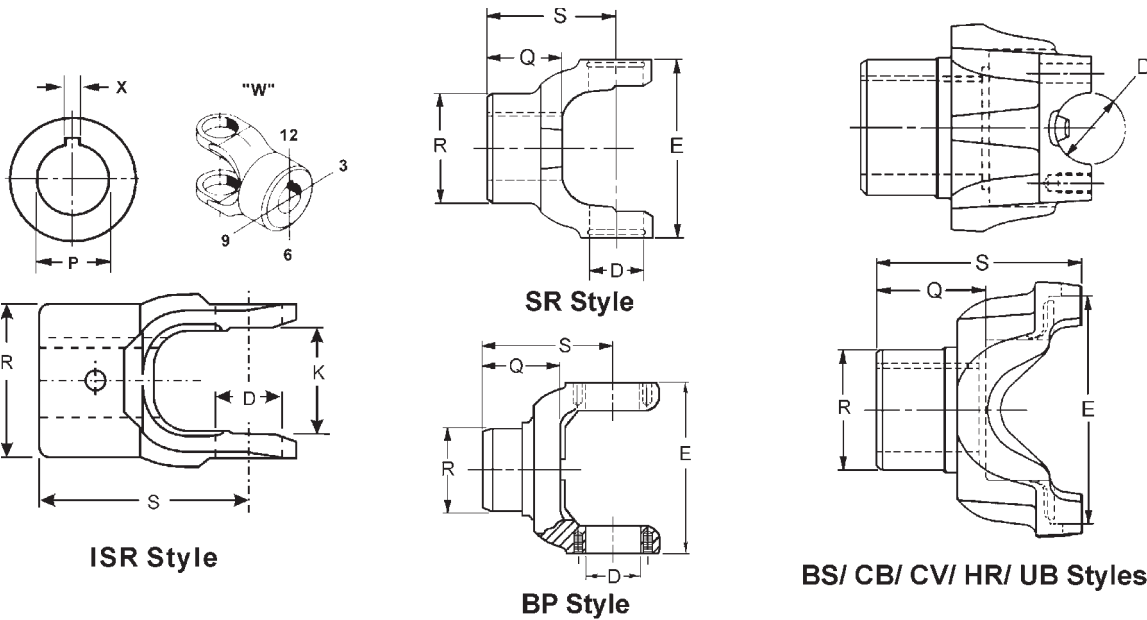
Major Diameter	R	Q	S	C'Bore Depth	Joint Angle	Style	End Yoke Assy. (incl. slinger) Order When Listed	Slinger Part Number	Spicer Part Number
	Ground Hub Dia.	Length Thru Hole	Centerline to End						
1810 SERIES (Continued) E-7.547 (7.643 FOR HR STYLE) D-1.938 USE KIT 5-281X, 5-676X									
FOR HR STYLE USE STRAP KIT 6.5-70-18X									
2.7500-10 Spline (Continued)									
2.7500	4.0000	2.9380	6.0000	—	30.0	HR			6.5-4-2171-1 <i>Hub machined for speedometer gear</i>
2.7940-54 Involute Spline									
2.7940	—	2.7500	5.6250	—	—	BP			6.5-4-4631 <i>Hub diameter not ground.</i>
2.7940	—	2.7500	5.6250	—	—	HR			6.5-4-4631-1 <i>Hub diameter not ground.</i>
2.7950-55 Involute Spline									
2.7950	4.7190	2.0470	5.0000	.1500	30.0	BP			6.5-4-4521
2.7950	4.7190	2.0470	5.0000	.1500	29.0	HR			6.5-4-4521-1
2.7980-21 Involute Spline									
2.7980	3.5310	2.0940	4.8440	.0800	30.0	HR			6.5-4-3941-1
2.9220-22 Involute Spline									
2.9220	3.8750	2.6250	5.3750	—	30.0	BP			6.5-4-3081
3.0030-23 Involute Spline									
3.0030	4.0000	3.0000	5.7500	.3100	30.0	BP	6.5-4-4401X	232193	6.5-4-2621
3.0030	4.0000	3.0000	5.7500	.3100	30.0	HR	6.5-4-4401-1X	232193	6.5-4-2621-1
3.1000-60 Involute Spline									
3.1000	3.9000	2.5000	5.3100	—	30.0	BP			6.5-4-4341
3.1000	4.0000	2.5000	5.3120	—	30.0	BP			6.5-4-2681
1820 SERIES WB STYLE P- 8.250 KEY SIZE - .625 USE KIT NO. 5-9001X									
2.3440-16 Spline									
2.3440	2.8750	2.7500	4.1250	—	25.0	WB			8-4-851
2.3750-46 Involute Spline									
2.3750	2.9530	2.3750	3.9380	—	—	WB	8-4-1151X	231527	8-4-1141 <i>Includes speedometer gear</i>
2.3750	2.9530	2.3750	3.9380	—	—	WB	8-4-1161X	231528	8-4-1141 <i>Assy includes electronic pickup wheel</i>
2.5000-10 Spline									
2.5000	3.5000	3.2340	4.3750	—	—	WB			8-4-1061
1880 SERIES E-8.094 D-2.188 USE KIT 5-308X									
2.6250-20 Involute Spline									
2.6250	4.5000	3.9100	7.4700	1.1600	23.0	BP			8-4-791
2.6760-18 Involute Spline									
2.6760	3.3120	3.3120	5.8120	.3100	22.0	BP			8-4-351
3.5030-27 Involute Spline									
3.5030	4.5000	4.7810	8.0160	—	27.5	BP			8-4-421



END YOKES with SPLINED HOLES

Major Diameter	R	Q	S	C'Bore Depth	Joint Angle	Style	End Yoke Assy. (incl. slinger) Order When Listed	Slinger Part Number	Spicer Part Number
	Ground Hub Dia.	Length Thru Hole	Centerline to End						
1950 SERIES			E-10.047		D-3.062		USE KIT 5-192X		
USES CAP & BOLT ASSY. 9-70-18X									
3.2500-25 Involute Spline									
3.2500	5.5000	4.3280	8.1560	—	20.0	CB			9-4-51
3.5000-27 Involute Spline									
3.5000	5.0000	4.2190	7.8440	—	20.0	CB	9-4-311X	230922	9-4-301
5C SERIES			WB STYLE: P-4.530		T-1.688		KEYWAY: 0.561		USE KIT 5-345X
1.4500-27 Involute Spline									
1.4500	2.2500	2.0600	3.3750	—	—	WB			5C-4-91
<i>Flanged WB yoke w/tapped holes in yoke ears</i>									
1.6050-15 Involute Spline									
1.6050	2.1230	1.9320	2.8200	—	—	WB			5C-4-51
<i>Tapped holes in yoke ears</i>									
6C SERIES			WB STYLE: P-5.530		T-1.688		KEYWAY: 0.561		USE KIT 5-6109X
1.4500-27 Involute Spline									
1.4500	2.2500	2.0420	4.2500	—	—	WB			6C-4-31
<i>Flanged WB yoke w/tapped holes in yoke ears</i>									
1.6050-15 Involute Spline									
1.6050	2.1250	1.9370	3.0900	—	—	WB			6C-4-71
1.9220-14 Involute Spline									
1.9220	2.3750	2.1830	3.5000	—	—	WB			6C-4-141
<i>Tapped holes in yoke ears</i>									
2.2890-17 Involute Spline									
2.2890	2.7500	2.5000	4.0300	—	—	WB			6C-4-261
<i>Flanged yoke w/8 tapped holes in flange</i>									
7C SERIES			WB STYLE: P-5.842		T-1.938		KEYWAY: 0.624		USE KIT 5-7105X
1.6500-16 Involute Spline									
1.6500	2.3750	1.9800	3.7800	—	—	WB			7C-4-211
<i>Flanged yoke w/6 drilled holes in flange</i>									
1.7960-34 Involute Spline									
1.7960	2.6250	2.0940	3.5200	.2000	—	WB			7C-4-291
<i>Tapped holes in yoke ears</i>									
1.9220-14 Involute Spline									
1.9220	2.3730	2.1980	4.4400	—	—	WB			7C-4-241
<i>Flanged yoke w/8 tapped holes in flange</i>									
1.9220	2.3750	2.1880	3.6900	.1200	—	WB			7C-4-71
<i>Tapped holes in yoke ears</i>									
7290 SERIES			K-2.625		D-1.125		USE KIT NO. 5-1309X, 5-354X, 5-811X		
1.1460-26 Involute Spline									
1.1460	1.5520	1.5000	3.3500	—	30.0	BS	2-4-7651-1X	232549	2-4-7641-1
1.1460	1.8440	1.3750	3.2190	.1200	30.0	BS			2-4-7661-1
1.1720-27 Involute Spline									
1.1720	1.6880	1.0620	2.7500	—	—	BS			2-4-7891-1
1.2630-29 Involute Spline									
1.2630	1.8750	1.5000	3.1880	—	—	BS			2-4-7901-1
1.2760-29 Involute Spline									
1.2760	1.8750	1.5000	3.3590	—	30.0	BS	2-4-7681-1X	34592	2-4-7671-1
8.5C SERIES			WB STYLE P-6.500		T-2.812		KEYWAY: 0.625		USE KIT NO. 050246000, 050281000
2.0050-15 Involute Spline									
2.0050	2.6250	2.1880	3.4400	—	—	WB			8.5C-4-51
2.2890-17 Involute Spline									
2.2890	2.7500	2.5000	4.4400	—	—	WB			8.5C-4-61
<i>Tapped holes in yoke ears</i>									





P	X	W			R	Q	S	Joint Angle	STYLE	End Yoke Part Number
		Set Screw Location in Relation to Keyway								
Round Hole Diameter	SAE Keyway Width	Hole Diameter	Location		Hub Diameter	Length Thru Hole	C/L to End of Hub			
			Keyway	Set Screw						
1000 SERIES		K-1.500			D-.938		USE KIT 5-170X			
.6250	—	.0000			1.6250	1.0300	2.5000	60	ISR	10-4-333
.6250	.1880	.3750	12	6	1.6250	—	2.5000	60	ISR	10-4-373
.7500	—	.0000			1.6240	—	2.5000	60	ISR	10-4-303
.7500	.1880	.3750	12	9	1.6250	1.3120	1.8120	15	ISR	10-4-693
.7500	.1880	.3750	3	6	1.6250	1.0300	2.5000	60	ISR	10-4-13
.7500	.1880	.3750	3	6 & 12	1.6250	1.0300	2.5000	60	ISR	10-4-133
.7500	.2500	.3750	3	9	1.6250	1.0300	2.5000	60	ISR	10-4-23
.8120	.1880	.3750	3	9	1.6250	1.0300	2.5000	60	ISR	10-4-33
.8120	.2500	.3750	12	9	1.6250	1.3120	1.8120	15	ISR	10-4-713
.8120	.2500	.3750	3	6	1.6250	1.0300	2.5000	60	ISR	10-4-43
.8750	—	.3750		3	1.6250	—	2.5000	60	ISR	10-4-203
.8750	.1880	.3750	3	9	1.6250	1.0300	2.5000	60	ISR	10-4-53
.8750	.2500	.3750	3	9	1.6250	—	2.5000	60	ISR	10-4-453
.8750	.2500	.3750	3	9	1.6250	—	2.5000	60	ISR	10-4-63
.9380	.2500	.3750	3	9	1.6250	—	2.5000	60	ISR	10-4-73
1.0000	—	.0000			1.6250	1.0300	2.5000	60	ISR	10-4-443
1.0000	.1880	.3750	3	9	1.6250	1.0300	2.5000	60	ISR	10-4-83
1.0000	.2500	.3750	12	9	1.6250	1.3120	1.8120	15	ISR	10-4-723
1.0000	.2500	.3750	3	12	1.6250	1.0300	2.5000	60	ISR	10-4-573
1.0000	.2500	.3750	3	9	2.0000	1.0300	2.5000	60	ISR	10-4-93
1.0620	.2500	.3750	9	6	2.0000	1.0300	2.5000	60	ISR	10-4-163
1.1250	.2500	.3750	3	12	2.0000	1.0300	2.5000	60	ISR	10-4-143
1.1250	.2500	.3750	3	6	2.0000	1.0300	2.5000	60	ISR	10-4-103
1.1250	.3120	.3750	3	6	2.0000	1.0300	2.5000	60	ISR	10-4-1473
1.1250	.3120	.3750	3	9	2.0000	1.0300	2.5000	60	ISR	10-4-113
1.1250	.3120	.3750	3	9	2.0000	1.0300	2.5000	60	ISR	10-4-233
1.1880	.3120	.3750	3	9	2.0000	1.0300	2.5000	60	ISR	10-4-153
1.2500	.2500	.3750	9	12	2.0000	1.0300	2.5000	60	ISR	10-4-183
1.2500	.3120	.3750	3	9	2.0000	1.0300	2.5000	60	ISR	10-4-123
1.2500	.3120	.3750	9	12	2.0000	—	2.5000	60	ISR	10-4-193
1.3750	.3120	.3750	3	9	2.2500	1.0300	2.5000	60	ISR	10-4-293
1.3750	.3750	.3750	3	6	2.2500	—	2.5000	60	ISR	10-4-213
1.4380	.3750	.3750	3	9	2.2500	—	2.5000	60	ISR	10-4-383
1.5000	.3750	.3750	3	6	2.2500	—	2.5000	60	ISR	10-4-223

.375 dia. drilled hole thru hub



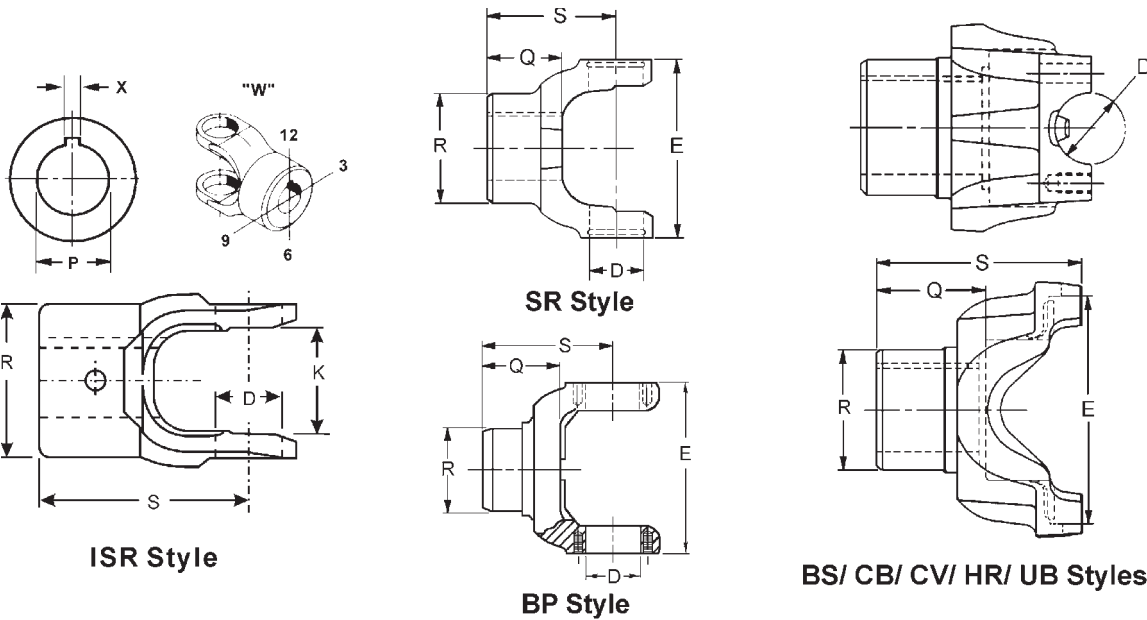
STRAIGHT ROUND HOLE



P Round Hole Diameter	X SAE Keyway Width	W Set Screw Location in Relation to Keyway			R Hub Diameter	Q Length Thru Hole	S C/L to End of Hub	Joint Angle	S T Y L E	End Yoke Part Number
		Hole Diameter	Location							
			Keyway	Set Screw						
1110 SERIES		K-2.656			D-.938		USE KIT NO. 5-101X			
.7500	.1880	.3750	12	3	1.6880	—	2.2500	—	SR	1-4-783
.7500	.1880	.3750	12	6	1.6880	—	2.2500	—	SR	1-4-1383
.8750	.1880	.3750	9	3	2.0000	—	2.2500	—	SR	1-4-803
.8750	.2500	.3750	9	3	2.0000	—	2.2500	—	SR	1-4-1293
1.0000	.2500	.3750	9	3	2.0000	—	2.2500	30	SR	1-4-823
1.1250	.3120	.3750	3	9	2.0000	—	2.2500	30	SR	1-4-943
1.2500	.2500	.3750	3	6	2.0000	—	2.2500	—	SR	1-4-1133
1.2500	.3120	.3750	3	9	2.0000	—	2.2500	—	SR	1-4-933
1140 SERIES		K-1.812			D-1.062		USE KIT NO. 5-242X			
1.0000	.2500	.3750	12	—	—	.0000	—	—	SR	1-4-3003
1.1250	.2500	.3750	12	—	—	.0000	—	—	SR	1-4-3043
1.2500	.2500	.3750	12	—	—	.0000	—	—	SR	1-4-3093
1.2500	.3120	.3750	12	—	—	.0000	—	—	SR	1-4-3113
1.3750	.3120	.3750	9	—	—	.0000	—	—	SR	1-4-3133
1.3750	.3750	—	3	—	—	.0000	—	—	SR	1-4-3273
1.5000	.3750	.3750	9	—	—	.0000	—	—	SR	1-4-3153
1240 SERIES		E-2.875			D-1.125		USE KIT NO 5-129X			
1.0000	.2500	.3750	12	—	—	.0000	—	—	SR	2-4-1343
1.1250	.2500	.3750	12	—	—	.0000	—	—	SR	2-4-1363
1.1870	.3120	.3750	12	—	—	.0000	—	—	SR	2-4-1943
1.2500	.2500	.3750	12	—	—	.0000	—	—	SR	2-4-1413
1.2500	.3120	.3750	12	—	—	.0000	—	—	SR	2-4-1423
1.3750	—	.0000	—	—	—	.0000	—	—	SR	2-4-2663
1.3750	.3120	.3750	12	—	—	.0000	—	—	SR	2-4-1873
1.5000	.3750	.3750	9	—	—	.0000	—	—	SR	2-4-1463
1310 SERIES		SR: E-3.469 OTHERS E-3.219, D-1.062 USE KIT 5-153X,5-785X,5-810X								
.7500	—	.0000	—	—	2.1250	—	2.5620	17	SR	2-4-177
.7500	.1880	.3750	12	6	2.1250	—	2.5620	17	SR	2-4-433
.8120	.2500	.3750	12	6	2.1250	—	2.5620	17	SR	2-4-443
.8750	.1880	.3750	12	6	2.1250	—	2.5620	17	SR	2-4-453
.8750	.2500	.3750	12	6	2.1250	—	2.5620	17	SR	2-4-583
.9380	.2500	.3750	12	6	2.0000	—	2.5620	—	SR	2-4-463
1.0000	.2500	.3750	12	6 & 12	2.1250	—	2.5620	17	SR	2-4-473
1.1250	.2500	.3750	12	6	2.1250	—	2.5620	17	SR	2-4-503
1.1250	.3120	.3750	12	6	2.1250	—	2.5620	17	SR	2-4-523
1.1880	.3120	.3750	12	6	2.1250	—	2.5620	17	SR	2-4-553
1.2500	—	.0000	—	—	2.1250	—	2.5620	17	SR	2-4-853
1.2500	—	.3750	—	—	2.1200	—	2.5620	—	SR	2-4-2043
1.2500	.2500	.3750	12	6	2.1250	—	2.5620	17	SR	2-4-573
1.2500	.3120	.3750	12	—	2.1250	—	2.5610	17	SR	2-4-613
1.2500	.3120	.3750	12	6	2.1250	—	2.5620	17	SR	2-4-533
1.2500	.3120	.3750	12	6, 9, 12	2.1250	—	2.5620	—	SR	2-4-2613
1.2500	.3120	.5000	12	6	2.1250	—	2.5620	17	SR	2-4-663
1.2500	.3130	.3750	12	6	2.1200	—	2.9400	—	UB	2-4-783
1.3750	.3120	.3750	12	3	2.0000	—	2.5620	17	SR	2-4-1103
1.3750	.3750	.3750	12	6	2.1250	1.1250	2.5940	—	UB	2-4-1053
1.3750	.3750	.3750	12	6	2.0000	—	2.5620	17	SR	2-4-803
1.5000	.3750	.3750	12	6	2.1250	—	2.5620	17	SR	2-4-1233
1.5030	—	.0000	—	—	2.0000	1.6250	2.5620	—	SR	2-4-353
1.6880	.3750	.3750	12	12	2.5000	—	2.5620	17	SR	2-4-2013

.312 diameter drilled hole thru hub.





P	X	W			R	Q	S	Joint Angle	STYLE	End Yoke Part Number
		Set Screw Location in Relation to Keyway								
		Hole Diameter	Location							
	Keyway	Set Screw	Hub Diameter	Length Thru Hole	C/L to End of Hub					
1340 SERIES		E-3.953			D-1.250		USE KIT NO. 5-243X			
1.2500	.2500	.3750	12	3	—	.0000	—	—	SR	3-4-783
1.3750	.3120	.3750	12	12 & 3	—	.0000	—	—	SR	3-4-813
1.4370	.3750	.3750	12	12	—	.0000	—	—	SR	3-4-1003
										<i>.375 dia. drilled hole thru hub</i>
1.5000	.3750	.3750	12	12	—	.0000	—	—	SR	3-4-833
1.6250	.3750	—	12		—	.0000	—	—	SR	3-4-993
										<i>.330 dia. drilled hole thru hub</i>
1.7500	.3750	.3750	3	12 & 3	—	.0000	—	—	SR	3-4-1543
										<i>.328 dia. pin hole thru hub, hub diameter not ground</i>
1350 SERIES		SR: E-3.875 OTHERS: E-3.625, D-1.188 USE KIT 5-178X, 5-799X								
1.1250	.2500	—	12		2.0000	—	2.6880	—	SR	3-4-43
1.2500	.3120	—	12		2.0000	—	2.7500	—	SR	3-4-53
1.2500	.3120	—	12		2.0000	—	2.6880	—	SR	3-4-93
1.2500	.3120	.3750	12		2.0000	—	2.7500	—	SR	3-4-13
										<i>Two set screws, 135° & 225° from keyway</i>
1.2500	.3120	.3750	12	6	2.0620	—	3.0000	—	SR	3-4-103
1.2500	.3145	.3750	12	6	2.2500	1.5000	3.0000	22	BS	3-4-283-1
1.3750	.3120	.3750	12	6	2.2500	—	3.0310	22	BS	3-4-613-1
1410 SERIES		SR: E-4.438 OTHERS: E-4.188, D-1.188 USE KIT 5-160X, 5-801X								
1.2500	.2500	.3750	12	6	2.2500	—	3.7000	—	BS	3-4-163-1
1.2500	.3120	.3750	12	6	2.2500	2.0000	3.6880	30	BS	3-4-343-1
1.2500	.3130	—	12		2.0000	2.0000	3.7000	—	BS	3-4-1763-1
1.5000	.3770	.3750	12	135°	2.6900	—	4.0000	—	BS	3-4-263-1
										<i>Two set screws, 135° & 225° from keyway</i>
1.7500	.4390	.5000	12		2.7500	—	4.2500	30	BS	3-4-273-1
										<i>Two set screws, 135° & 225° from keyway</i>
1440 SERIES		K-2.828			D-1.312		USE KIT NO. 5-431X			
1.2500	.3120	.3750	12	12 & 6	—	.0000	—	—	SR	3-4-4-163
1.3750	.3120	.3750	12	12 & 6	—	.0000	—	—	SR	3-4-4-173
1.4370	.3750	.3750	12	12 & 6	—	.0000	—	—	SR	3-4-4-83
1.7500	.3750	—	12	12 & 6	—	.0000	—	—	SR	3-4-4-193
										<i>.328 dia. pin hole thru hub, hub diameter not ground</i>



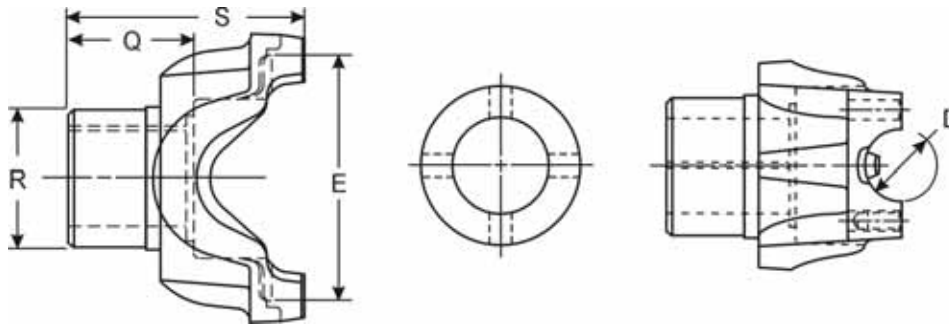
STRAIGHT ROUND HOLE

P Round Hole Diameter	X SAE Keyway Width	W Set Screw Location in Relation to Keyway			R Hub Diameter	Q Length Thru Hole	S C/L to End of Hub	Joint Angle	S T Y L E	End Yoke Part Number
		Hole Diameter	Location							
			Keyway	Set Screw						
1480 SERIES		SR: E-4.438 OTHERS: E-4.188, D-1.375 USE KIT 5-188X, 5-803X								
1.5000	.3750	.3750	12	12 & 6	3.1880	2.0630	4.6250	—	SR	3-4-1173
1.6250	.3750	—	12		—	.0000	—	—	SR	3-4-1333
1.7500	.3750	.3750	12	12	3.1880	2.0630	4.6250	—	SR	3-4-1213
2.0000	.5000	.3750	3	3 & 9	3.1880	2.0630	4.6250	—	SR	3-4-1753
1550 SERIES		E-5.250			D-1.375		USE KIT 5-155X, 5-808X			
1.8620	—	.0000			3.0700	—	4.6850	26	UB	4-4-843
1610 SERIES		E-5.312			D-1.875		USE KIT 5-279X, 5-674X			
1.7500	—	.0000			2.7500	—	5.6200	35	BP	5-4-413
2.2500	—	.0000			3.3440	—	5.6200	34	BP	5-4-453



TAPERED HOLE

With U-Bolt and Cap & Bolt Design



P	X	R	Q	S	Joint Angle	S T Y L E	End Yoke Part Number
Tapered Hole Diameter	SAE Keyway Width	Ground Hub Diameter	Length Thru Hole	Centerline to End of Spline			
1280/1310 SERIES		SR: E-3.469 OTHERS: E-3.219, D-1.062			USE KIT 5-153X, 5-785X, 5-810X		
USES U-BOLT ASSY. 2-94-28X, STRAP ASSY. 2-70-18X							
1.1250	.3120	1.7500	1.5000	3.0000	18	UB	2-4-154
1.2500	.3120	2.1250	1.5000	2.9380	22	UB	2-4-64
1.3750	.3750	2.1250	2.0000	3.4380	22	UB	2-4-824
1.3750	.3750	2.2500	2.0000	3.4380	—	UB	2-4-834
1350 SERIES		SR: E-3.875 OTHERS: E-3.625, D-1.188			USE KIT 5-178X, 5-799X		
USES U-BOLT ASSY.3-94-18X,STRAP ASSY.3-70-28X							
1.2460	.3120	2.2500	1.5000	3.0000	18	UB	3-4-54
1.2460	.3120	2.2500	1.5000	3.0000	18	BS	3-4-54-1
1.3750	.3750	2.2500	2.0000	3.5310	22	BS	3-4-24-1
1.4960	.3750	2.2500	2.0000	3.5000	—	BS	3-4-84-1
1410 SERIES		SR: E-4.438 OTHERS: E-4.188, D-1.188			USE KIT 5-160X, 5-801X		
USES U-BOLT ASSY, 3-94-18X, STRAP KIT 3-70-28X							
1.3750	.3750	2.2500	2.0000	3.6880	30	BS	3-4-14-1
1.3750	.3750	2.2500	2.0000	3.6880	30	BS	3-4-154-1
1.4960	.3750	2.5000	2.0000	3.8120	27	BS	3-4-64-1
1650 SERIES		E-5.594	D-1.625	USE KIT 5-165X			
USES CAP & BOLT ASSY. 5-70-18X							
1.7500	.4380	2.8750	2.2500	4.3120	22	BS	5-4-1324

