

MERITOR® 14X™ DRIVE AXLE PARTS



MERITOR

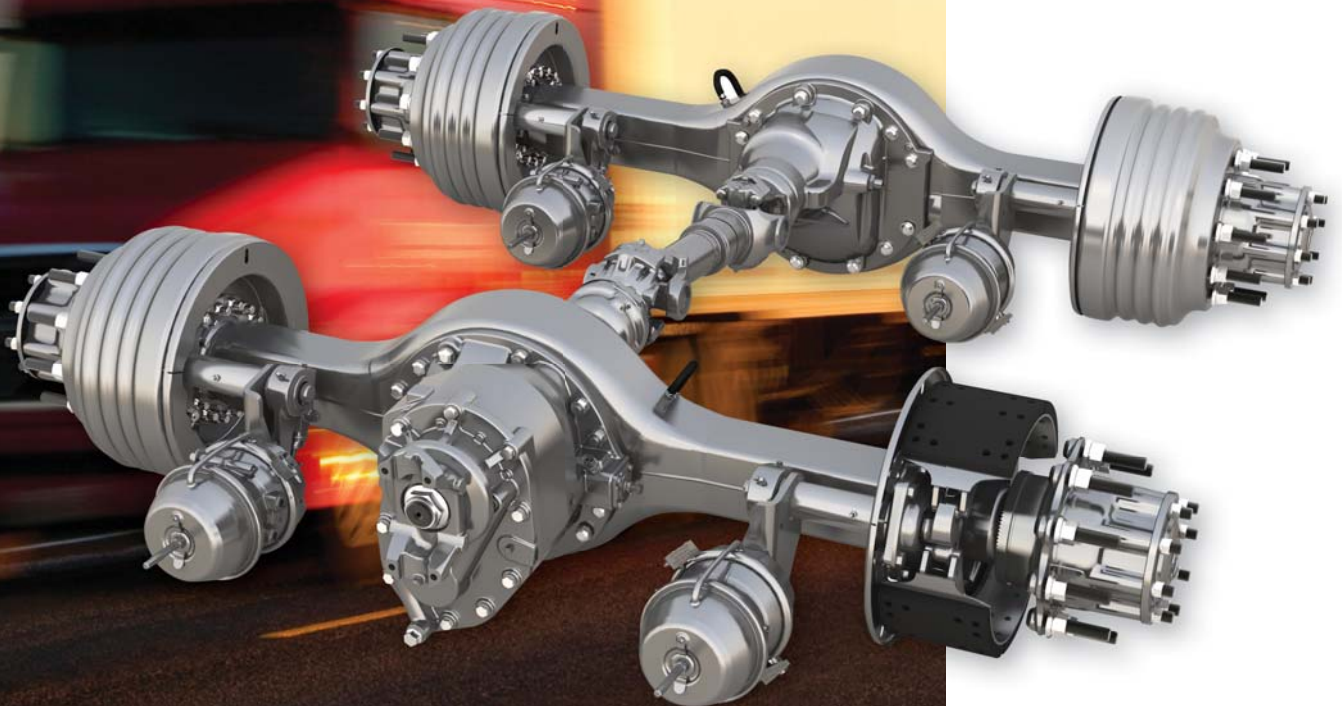
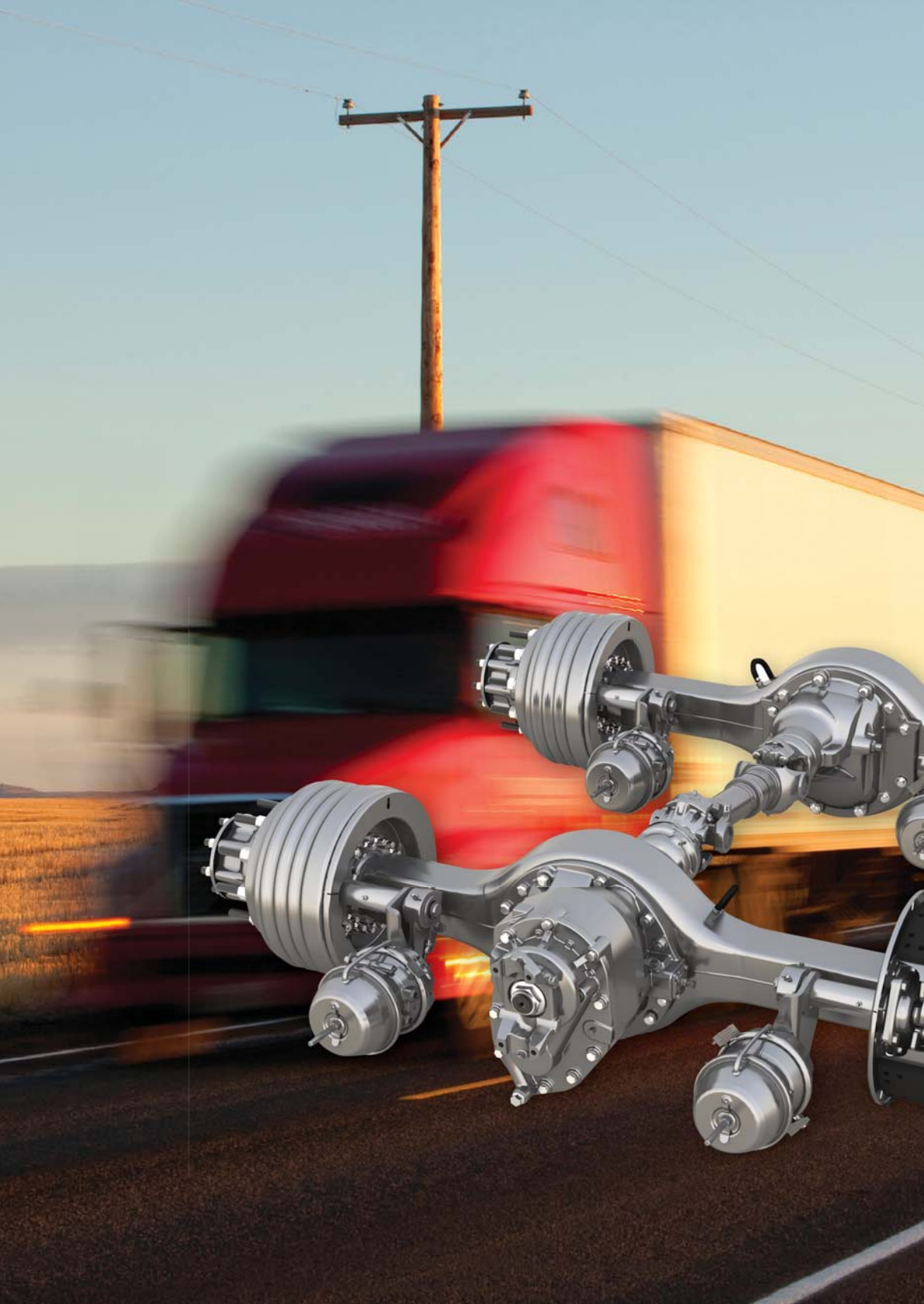
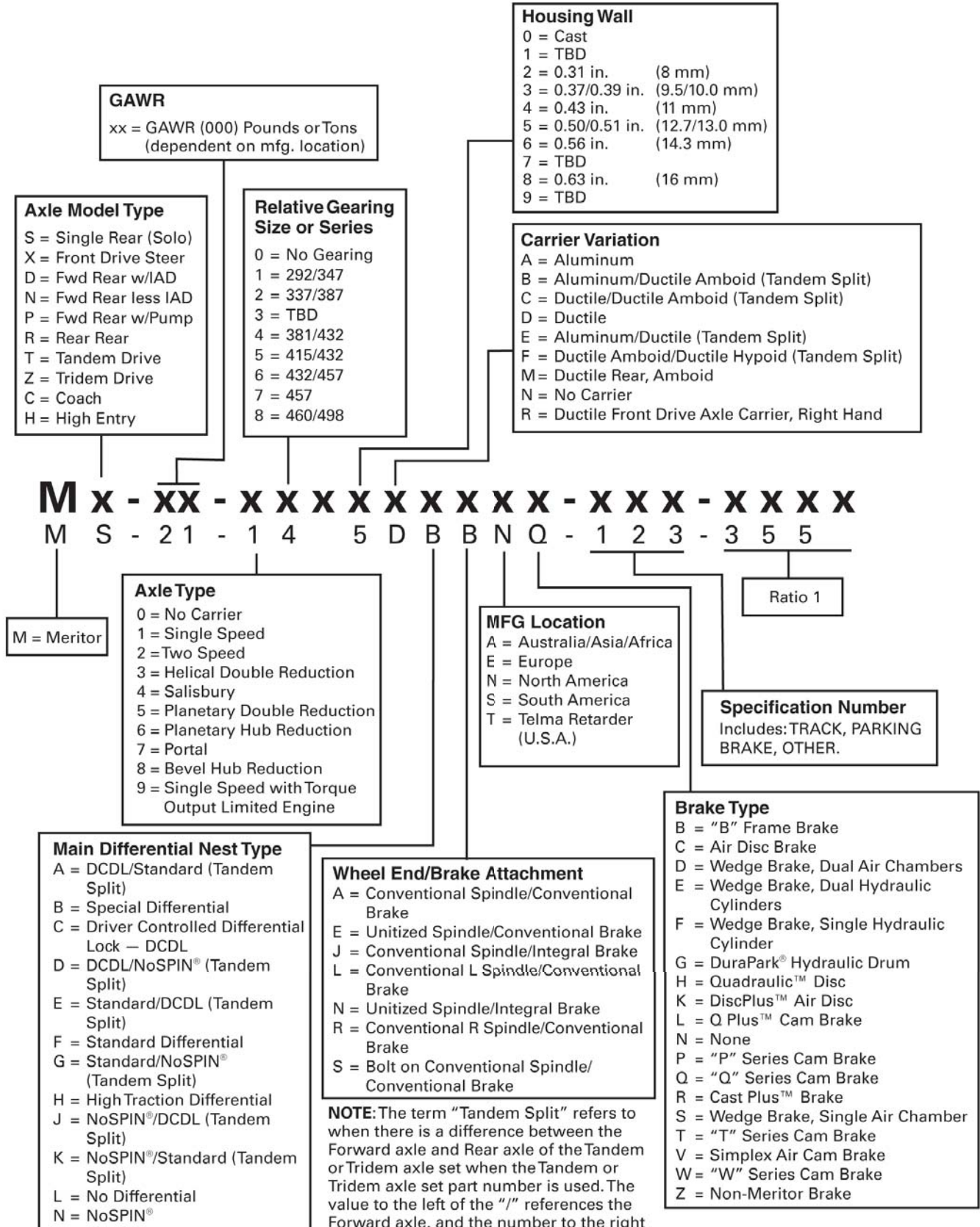


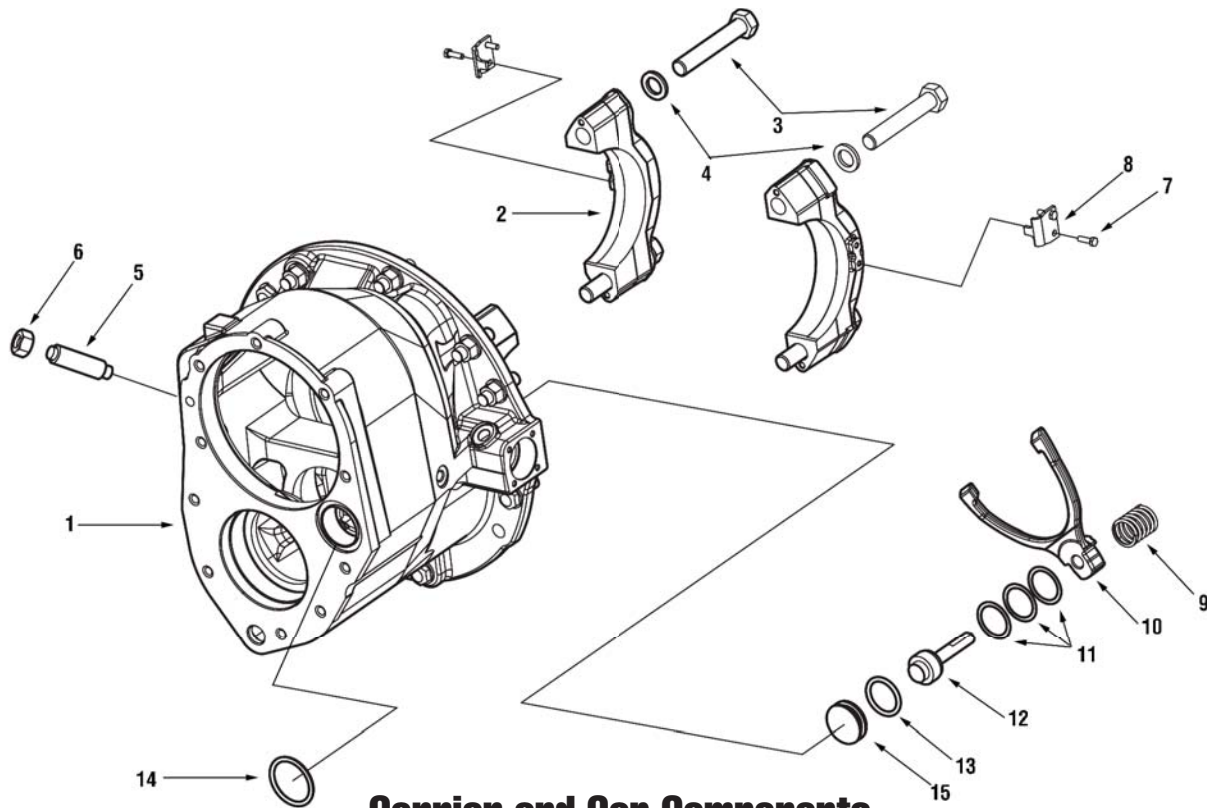
TABLE OF CONTENTS

Model Nomenclature	3
TANDEM FORWARD CARRIER	
Carrier and Cap/Inter-Axle Diff Shift	4
Front Cover and Pump Assembly	5
Input Shaft and Inter-Axle Diff.....	6
Forward Tandem — Main Diff.....	8
Main Diff Case	10
Thru Shaft Assembly.....	12
Driver Controlled Diff Lock (DCDL).....	14
TANDEM AMBOID REAR CARRIER	
Amboid Tandem Rear Carrier and input	16
Amboid Tandem Rear — Main Diff.....	18
TANDEM/SINGLE HYPOID REAR CARRIER	
Hypoid Rear Carrier and Bearing Cage	20
Hypoid Rear — Main Diff	22
Hypoid Driver Controlled Diff Lock (DCDL) Bolt-on Design.....	24
Hypoid Driver Controlled Diff Lock (DCDL) Screw-in Design.....	26
Main Diff and Diff Case Assemblies	28
Gear Sets.....	30
Service Kits	30
TECHNICAL PUBLICATIONS (available online @ meritor.com - Literature on Demand)	
Yoke Installation Tool Instructions (TP10164)	
Tools for Servicing Meritor MT-14X Series Differential Carriers (TP1202)	
Input Adjusting Ring Leak Repair Procedure (TP1214)	

MERITOR MT-14X DRIVE AXLE MODEL NOMENCLATURE



CARRIER AND CAP/INTER-AXLE DIFF SHIFT



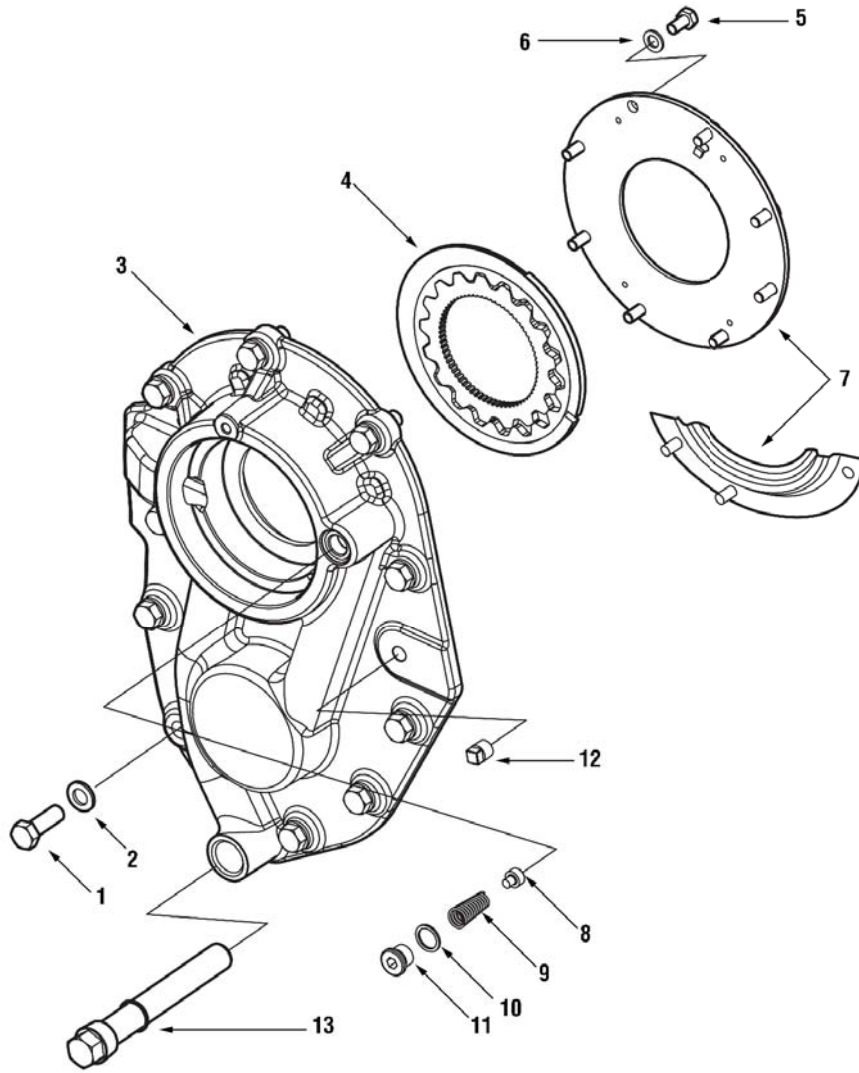
Carrier and Cap Components

ITEM	DESCRIPTION	PART NUMBER - LESS DIFF LOCK		PART NUMBER - WITH DIFF LOCK		QUANTITY
		20K	22K	20K	22K	
1	Carrier and Cap	A2-3200-K-2221	A2-3200-C-2239	A2-3200-N-2224	A2-3200-D-2240	1
2	• Leg cap - Not Sold Separately	—				2
3	• Bolt - Leg Cap	MS220120-1				4
4	• Washer - Leg Cap	42-X-1021				4
5	Thrust Screw	—	40X-1016	—	40X-1016	1
6	Jam Nut - Thrust Screw	—	41X-1702	—	41X-1702	1
7	Screw - Diff Bearing Adjusting Ring Lock	41-X-1669				4
8	Lock - Diff Bearing Adjusting Ring	1220-P-1108				2

Inter-Axle Diff Shift Components

ITEM	DESCRIPTION	PART NUMBER	QUANTITY
9	Spring	2258-N-1262	1
10	Shift Fork	3296-A-1379	1
11	Shim	2803-A-3641	As Required
12	Push Rod	2244-Z-1274	1
	Kit -IAD O-Rings	KIT 2917	
13	• O-Ring - IAD Shift Piston	• 5X-1153	1
14	• O-Ring - Carrier to Cover - IAD Shift Bore	• 5X-1368	1
	• O-Ring - Carrier to Cover - IAD Shift Bore	• 5X-1414	1
	(Select Appropriate O-Ring to Match Channel in Carrier & Cap)		
15	Piston	2230-Y-1377	1

FRONT COVER AND PUMP ASSEMBLY



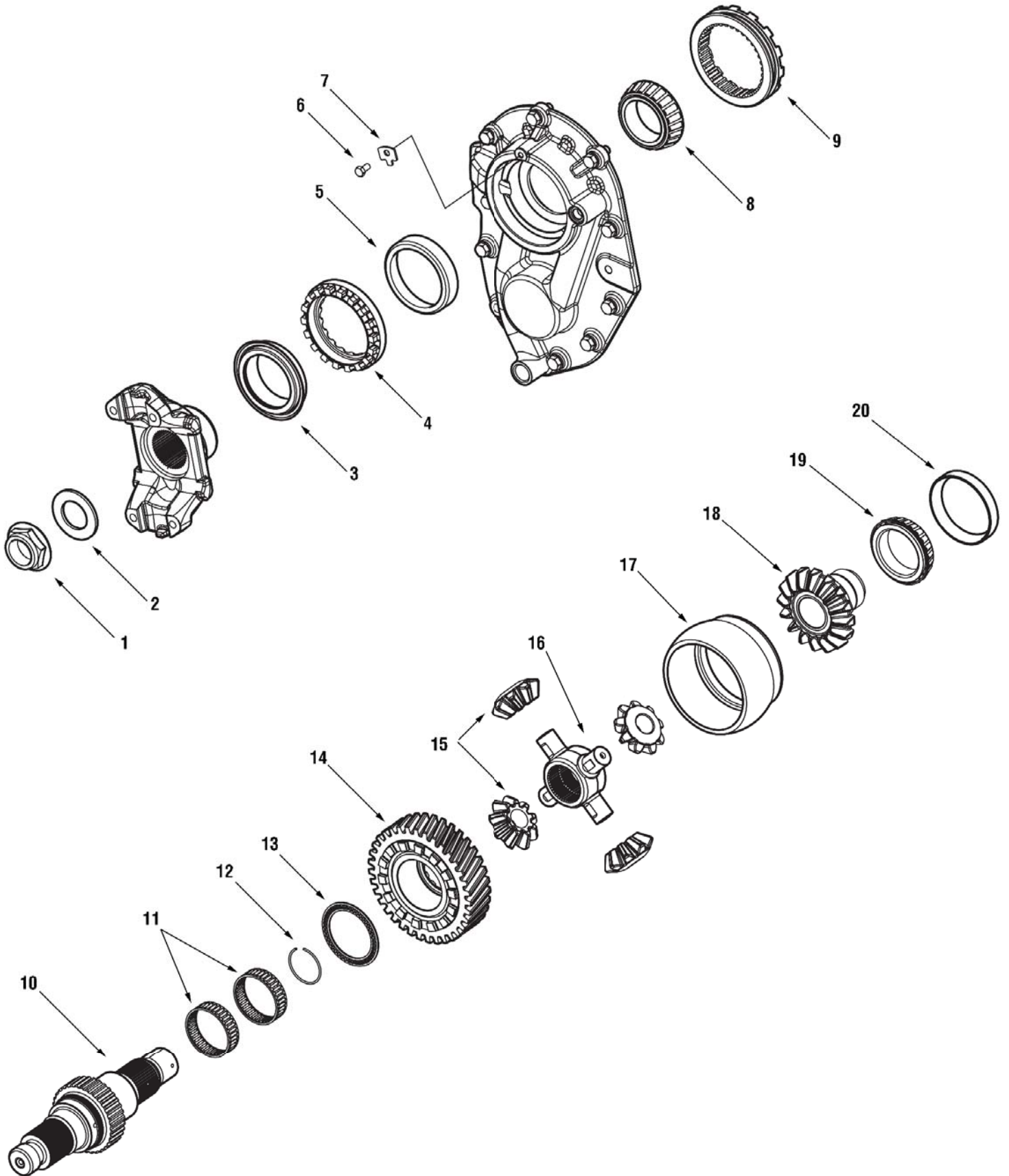
Non-Pump Cover

To convert to pump use:
 A-3226-P-1550 Cover
 A-3297-X-1610 Input Shaft
 A-2297-D-5334 Screen
 3278-K-1207 Spider

Front Cover and Pump Components

ITEM	DESCRIPTION	LESS PUMP		WITH PUMP	
		Part Number	Quantity	Part Number	Quantity
1	Screw - Front Cover	MS212035-2	10	MS212035-2	10
2	Washer - Front Cover	1229-D-4632	10	1229-D-4632	10
3-11	Cover Assembly - Complete with Pump (not shown)			A-3226-P-1550	1
3	Cover	3226-M-1547	1	• 3226-P-1550	1
4	• Pump			• A-3303-R-1032	1
5	• Screw	MS208016A-1	3	• MS208016A-1	8
6	• Washer	1229-E-1669	3	• 1229-E-1669	8
7	• Oil Baffle or Pump Cover	3221-K-1025	1	• A-3266-Q-1499	1
8	• Valve - Pressure Relief			• 2297-U-5273	1
9	• Spring - Pump			• 2258-Z-1118	1
10	• Washer - Sealing Ring			• 1229-F-4062	1
11	• Plug - Pressure Relief			• 1250-N-1080	1
12	Plug - Plastic - Front Cover	1250-Z-572	1	1250-Z-572	1
13	Screen - Pump Filter			A-2297-D-5334	1

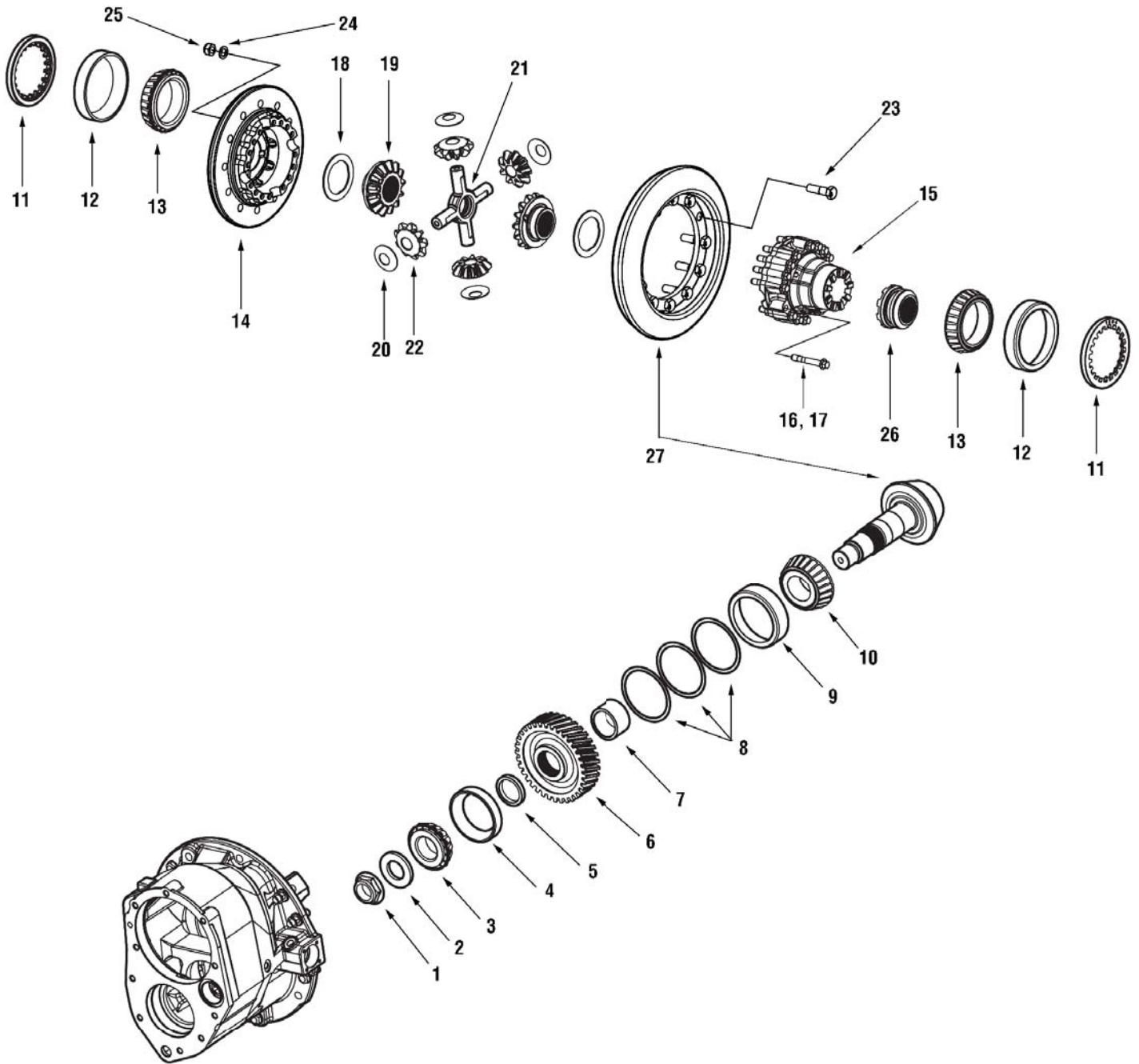
INPUT SHAFT AND INTER-AXLE DIFF



Input Shaft and Inter-Axle Diff Components

ITEM	DESCRIPTION	LESS PUMP		WITH PUMP	
		Part Number	Quantity	Part Number	Quantity
	Kit -Input Yoke Nut & Washer	KIT 2826	1	KIT 2826	1
1	• Nut - Input Yoke	• 40X-1233	1	• 40X-1233	1
2	• Washer - Input Yoke	• 1229-N-1730	1	• 1229-N-1730	1
3	Oil Seal - Input Yoke	A1-1205-X-2728	1	A1-1205-X-2728	1
4	Adjusting Ring - Input Shaft	2214-W-1271	1	2214-W-1271	1
5	Bearing Cup - Input Shaft - Fwd	1228-U-1217	1	1228-U-1217	1
6	Screw - Input Shaft Adj Ring Lock	MS208016A-1	1	MS208016A-1	1
7	Lock - Input Shaft Adjusting Ring	1220-T-1112	1	1220-T-1112	1
8	Bearing Cone - Input Shaft - Fwd	A-1228-W-1713	1	A-1228-W-1713	1
9	Clutch Collar - Inter Axle Diff	3107-U-1269	1	3107-U-1269	1
10	Input Shaft	3297-D-1616	1	A-3297-X-1610	1
	• Ball - Input Shaft (not shown)			• 1228K37	1
11	Needle Bearing - Input Shaft	1228-G-1723	2	1228-G-1723	2
12	Snap Ring - Needle Bearing	2297-S-5349	1	2297-S-5349	1
13	Thrust Bearing - Input Shaft	1228-F-1722	1	1228-F-1722	1
14	Drive Gear	3892-F-5908	1	3892-F-5908	1
	Inter-Axle Diff Assembly	A-3235-W-2779	1	A1-3235-W-2779	1
15	• Diff Pinion - Inter-Axle Diff	• 2233-P-1030	4	• 2233-P-1030	4
16	• Spider - Inter-Axle Diff	• 3278-J-1206	1	• 3278-K-1207	1
17	• Inter- Axle Diff Case	• 3235-W-2779	1	• 3235-W-2779	1
18	Rear Side Gear - Inter-Axle Diff	2234-L-1442	1	2234-L-1442	1
19	Bearing Cone - Rear Side Gear	A-1228-P-1940	1	A-1228-P-1940	1
20	Bearing Cup - Rear Side Gear	1228-N-1938	1	1228-N-1938	1

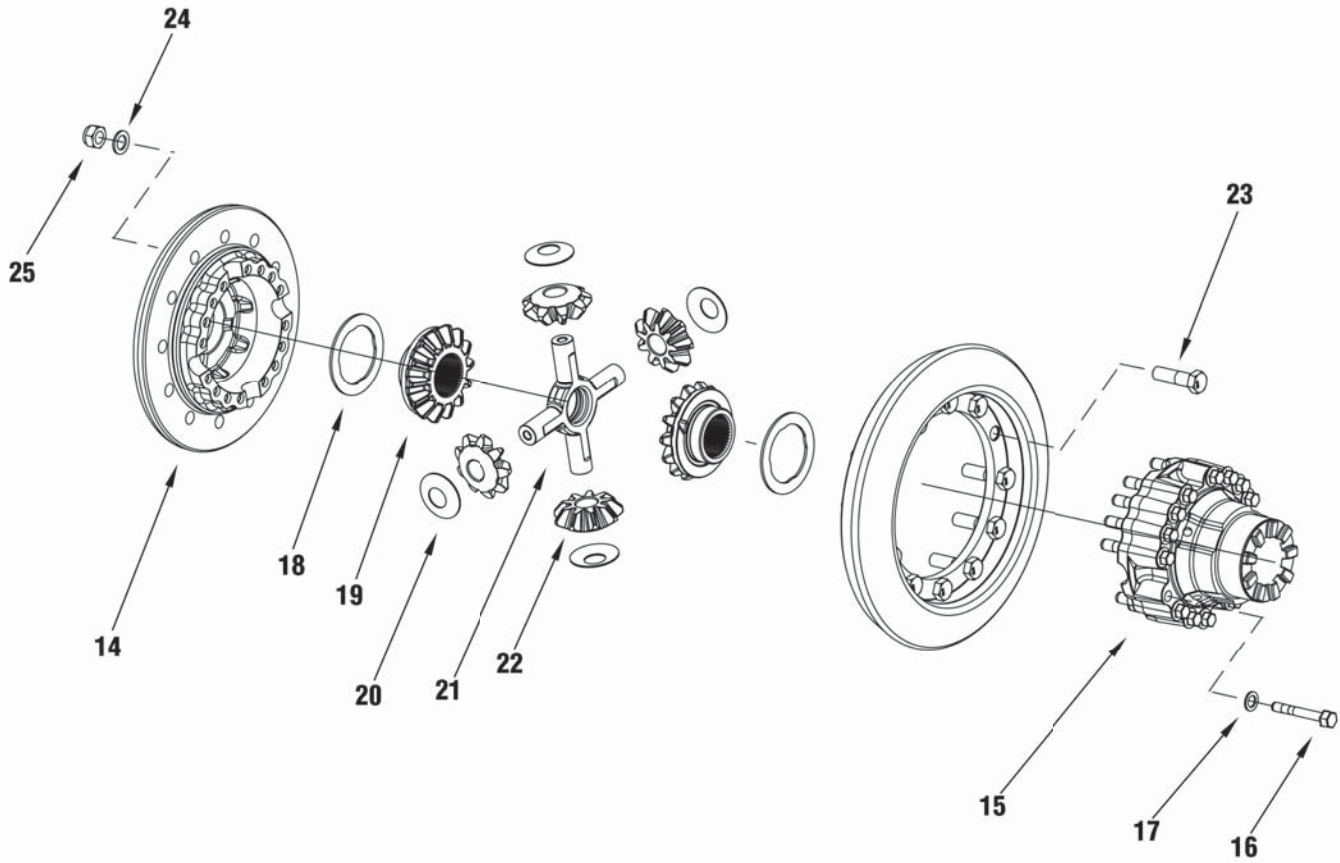
FORWARD TANDEM — MAIN DIFF



Forward Tandem — Main Diff Components

ITEM	DESCRIPTION	PART NUMBER	QUANTITY	
	Kit -Pinion Nut And Washer	Included In Gear Set		
1	• Nut - Pinion	KIT 2638	1	
2	• Washer - Pinion	• 40X-1233	1	
		• 1229-W-4521	1	
3	Bearing Cone - Pinion - Outer	A1-1228-G-605	1	
4	Bearing Cup - Pinion - Inner	1228-F-604	1	
5	Kit -Pinion Bearing Spacers	Use 2 As Required	KIT 2396	
	• Spacer - Pinion Bearing	5.30mm/.209 inch	• 2203-D-9806	2
	• Spacer - Pinion Bearing	5.33mm/.210 inch	• 2203-E-9807	2
	• Spacer - Pinion Bearing	5.35mm/.211 inch	• 2203-F-9808	2
	• Spacer - Pinion Bearing	5.38mm/.212 inch	• 2203-G-9809	2
	• Spacer - Pinion Bearing	5.40mm/.213 inch	• 2203-H-9810	2
	• Spacer - Pinion Bearing	5.50mm/.217 inch	• 2203-J-9812	2
	• Spacer - Pinion Bearing	5.60mm/.220 inch	• 2203-K-9813	2
	• Spacer - Pinion Bearing	5.70mm/.224 inch	• 2203-L-9814	2
	• Spacer - Pinion Bearing	5.80mm/.228 inch	• 2203-M-9815	2
	• Spacer - Pinion Bearing	5.90mm/.232 inch	• 2203-N-9816	2
	• Spacer - Pinion Bearing	6.00mm/.236 inch	• 2203-P-9818	2
	• Spacer - Pinion Bearing	6.10mm/.240 inch	• 2203-Q-9819	2
	• Spacer - Pinion Bearing	6.13mm/.241 inch	• 2203-R-9820	2
	• Spacer - Pinion Bearing	6.15mm/.242 inch	• 2203-S-9821	2
	• Spacer - Pinion Bearing	6.18mm/.243 inch	• 2203-T-9822	2
	• Spacer - Pinion Bearing	6.20mm/.244 inch	• 2203-U-9823	2
6	Driven Gear	3892-J-5912	1	
7	Spacer - Inner Pinion Bearing	1244-V-1764	1	
	Kit -Inner Pinion Bearing Cup Shims	Use as Required	KIT 1647	
8	• Shim - Inner Pinion Bearing Cup	.075mm/.003 inch	• 2203-F-2788	3
	• Shim - Inner Pinion Bearing Cup	.125mm/.005 inch	• 2203-G-2789	2
	• Shim - Inner Pinion Bearing Cup	.250mm/.010 inch	• 2203-H-2790	4
9	Bearing Cup - Pinion - Inner	1228-Z-1716	1	
10	Bearing Cone - Pinion - Inner	A-1228-A-1717	1	
11	Adjusting Ring - Main Diff	2214-G-1255	2	
12	Bearing Cup - Main Diff	1228-Q-1473	2	
13	Bearing Cone - Main Diff	A-1228-R-1474	2	
14-25	See Next Page - Main Diff Case			
26	Diff Lock Clutch Collar	Diff Lock Only	3107-U-1321	1
27	Gear Set	See Page 30	1	

MAIN DIFF CASE



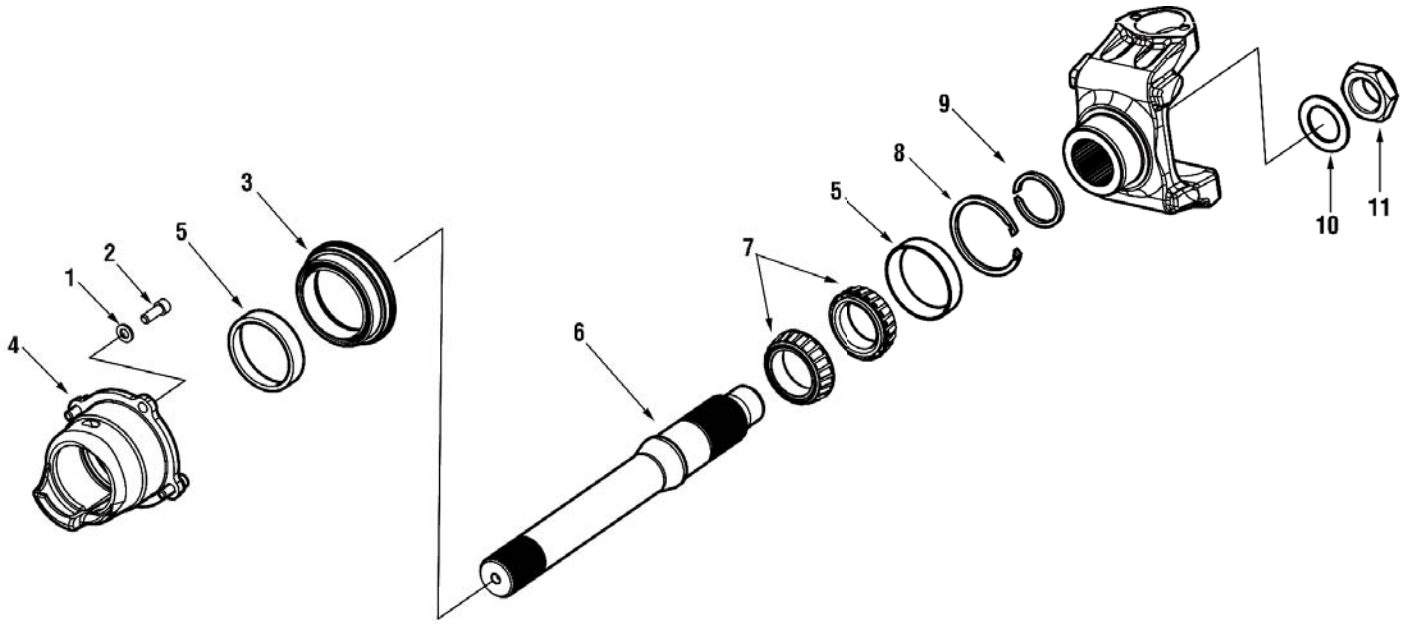
Diff Case Assemblies

ITEM	DESCRIPTION	RATIOS	PART NUMBER — LESS DIFF LOCK	PART NUMBER — WITH DIFF LOCK	QUANTITY
14-25	Main Diff Assembly — See Diff Cases Page 29	All			
14-17	Diff Case Assembly — See Diff Cases Page 29	All			
14	Diff Case - Flange Half	2.47 - 2.64	3235-A-2783		1
		3.08 - 3.36	3235-C-2785		
		3.42 - 4.11	3235-E-2787		
		4.33 - 7.17	3235-G-2789		
15	Diff Case - Plain Half	All	3235-J-2792	3235-Q-2799	1

Main Diff

ITEM	DESCRIPTION	PART NUMBER		QUANTITY
		20K	22K	
	Kit -Diff Case Bolts	KIT 2819		1
16	• Bolt - Diff Case	• 41-X-1327		16
17	• Washer - Diff Case	• 1229-D-4632		16
	Kit -Main Diff	KIT 4778	KIT 4809	1
18	• Thrust Washer - Main Diff Side Gear	• 1229-Q-5087	• 1229-Q-5087	2
19	• Side Gear - Main Diff	• 2234-G-1437	• 2234-U-1451	2
20	• Thrust Washer - Main Diff Pinion	• 1229-R-1032	• 1229-R-1032	4
21	• Spider - Main Diff	• 3278-S-305	• 3278-Y-1117F	1
22	• Pinion Gear - Main Diff	• 2233-J-1024	• 2233-J-1024	4
	Kit -Bolt Kit -Diff Case to Gear — 2.47 - 2.64	KIT 4779		1
23	• Bolt - Diff Case to Gear	• 41X-1715		12
	Kit -Bolt Kit -Diff Case to Gear — 3.08 - 7.17	KIT 2317		1
23	• Bolt - Diff Case to Gear	• 41X-1216		12
24	• Washer - Diff Case to Gear	• 1229-U-1503		12
25	• Nut - Diff Case to Gear	• 40X-1182		12

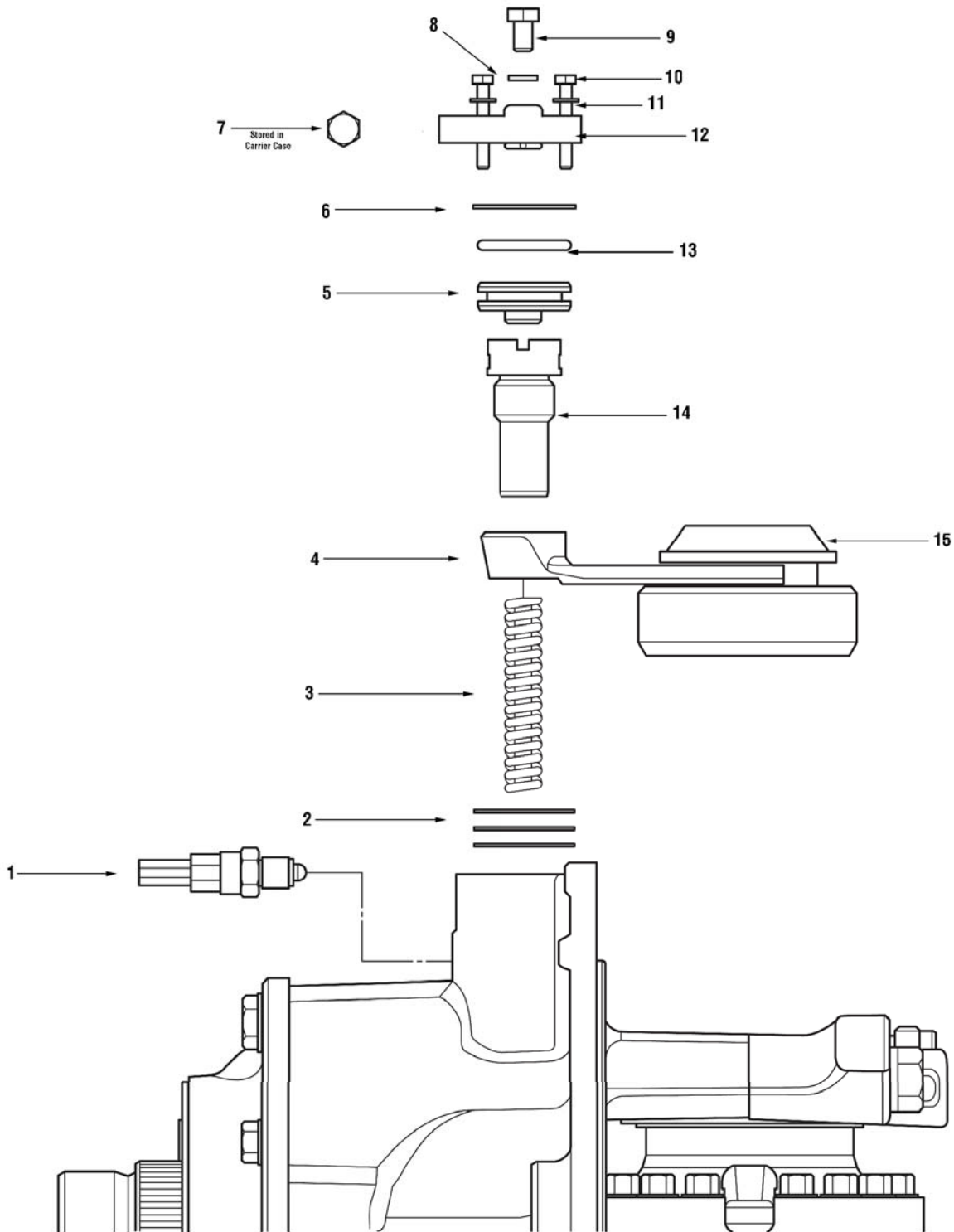
THRU SHAFT ASSEMBLY



Thru Shaft Assembly Components

ITEM	DESCRIPTION	PART NUMBER	QUANTITY
1	Washer - Thru Shaft Bearing Cage	1229-K-1597	4
2	Capscrew - Thru Shaft Bearing Cage	15X-387	4
	Kit -Complete Thru Shaft	A17-3226-T-1112K	1
3	• Oil Seal	• A1-1205-Y-2729	1
4	• Bearing Cage	• 3226-T-1112	1
5	• Bearing Cup	• 1228-K-1545	2
6	• Thru Shaft	• 3297-M-1599	1
7	• Bearing Cone	• A-1228-L-1546	2
8	• Kit -Snap Ring	• KIT 576	1
	• Snap Ring - .155	• 1229-P-2590	1
	• Snap Ring - .158	• 1229-Q-2591	1
	• Snap Ring - .161	• 1229-R-2592	1
	• Snap Ring - .164	• 1229-S-2593	1
	• Snap Ring - .167	• 1229-U-2595	1
	• Snap Ring - .170	• 1229-V-2596	1
	• Snap Ring - .173	• 1229-W-2597	1
	• Snap Ring - .176	• 1229-X-2598	1
	• Snap Ring - .179	• 1229-Y-2599	1
	• Snap Ring - .182	• 1229-T-2594	1
9	• Snap Ring/Yoke Spacer	• 1229-W-4131	1
	• Kit -Thru Shaft Nut and Washer	• KIT 2637	1
10	• Washer	• 1229-T-1736	1
11	• Nut	• 40X-1237	1

DRIVER CONTROLLED DIFF LOCK (DCDL)

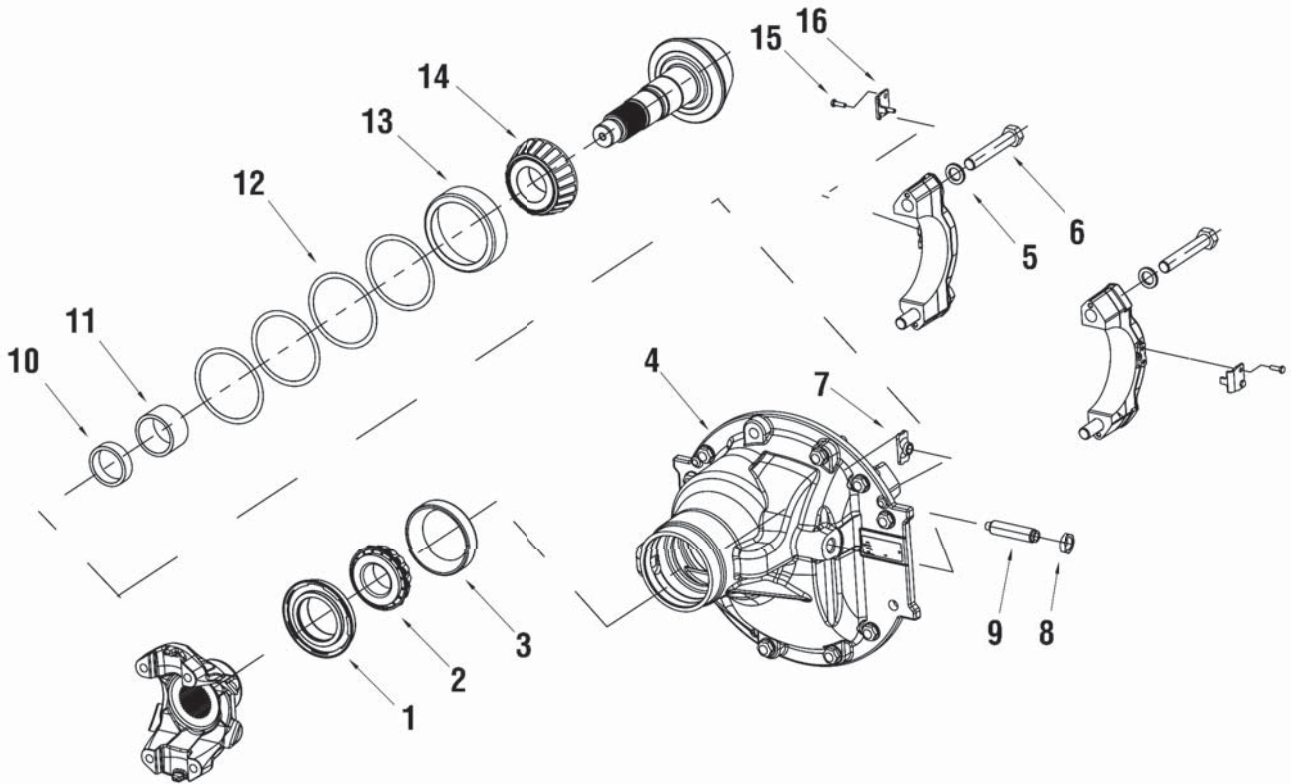


Driver Controlled Diff Lock (DCDL) Components

Complete Diff Lock - KIT 4782

ITEM	DESCRIPTION	PART NUMBER	QUANTITY
1	Kit -Diff Lock Switch <ul style="list-style-type: none">• Diff Lock Switch• Pigtail - Diff Lock Switch - Not Shown Separately	KIT 4429 <ul style="list-style-type: none">• 3237-R-1292• 3237-X-1298	1 <ul style="list-style-type: none">11
2	Shim (Use as Required)	2803-A-3641	3
3	Spring	2258-N-1262	1
4	Shift Fork	3296-C-1381	1
5	Piston	2230-Y-1377	1
6	Gasket - Diff Lock Cover	2208-Q-1005	1
7	Caging Bolt - Manual Engaging	41X-1368	1
8	O-Ring	5-X-521	1
9	Plug - Capscrew	41X-1742	1
10	Capscrew - Diff Lock Cover	41X-1669	4
11	Washer - Diff Lock Cover	MWA-506	4
12	Cover - Diff Lock	3266-X-1610	1
13	O-Ring - Diff Lock Piston	5X-888	1
14	Push Rod	2244-N-1236	1
15	Collar	3107-U-1321	1

AMBOID TANDEM REAR CARRER AND INPUT

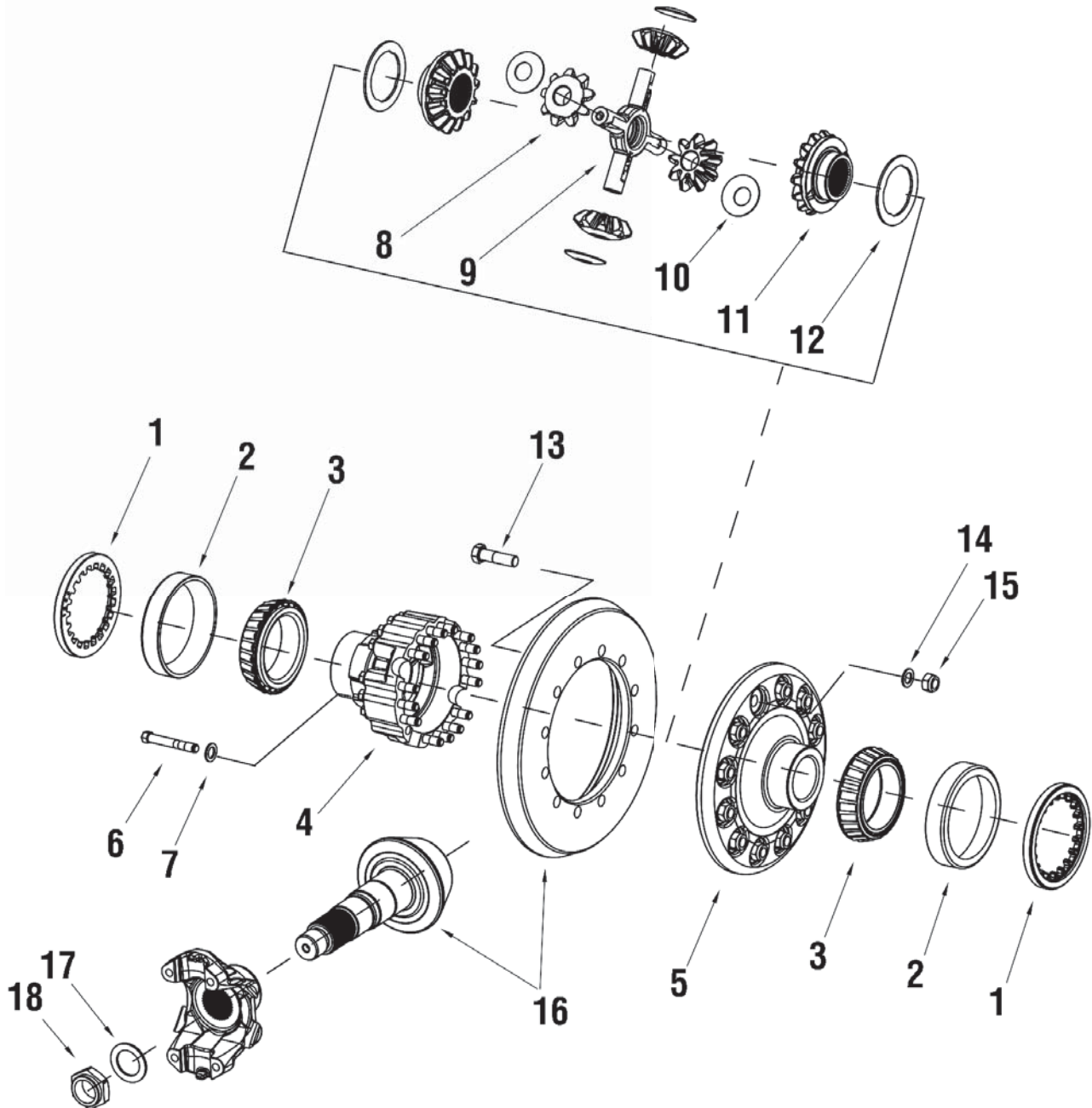


Amboid Tandem Rear Carrier and Input Components

ITEM	DESCRIPTION	PART NUMBER	QUANTITY	
1	Oil Seal	A1-1205-Z-2730	1	
2	Bearing Cone - Outer Pinion	A1-1228G605	1	
3	Bearing Cup - Outer Pinion	1228-F-604	1	
4	Carrier And Cap	A2-3200G2217	1	
5	Washer	• 42X-1021	4	
6	Bolt	• MS220120-1	4	
7	Thrust Block	2297-P-8336	1	
8	Jam Nut	40X-1016	1	
9	Thrust Screw	10X-1710	1	
10	Kit -Pinion Bearing Spacers	KIT 2541	1	
	Spacer - Pinion Bearing	9.40mm/.370 inch	• 1244-M2-431	2
	Spacer - Pinion Bearing	9.43mm/.371 inch	• 1244-N-2432	2
	Spacer - Pinion Bearing	9.45mm/.372 inch	• 1244-P-2434	2
	Spacer - Pinion Bearing	9.48mm/.373 inch	• 1244-Q-2435	2
	Spacer - Pinion Bearing	9.50mm/.374 inch	• 1244-R-2436	2
	Spacer - Pinion Bearing	9.60mm/.378 inch	• 1244-S-2437	2
	Spacer - Pinion Bearing	9.70mm/.382 inch	• 1244-T-2438	2
	Spacer - Pinion Bearing	9.80mm/.386 inch	• 1244-U-2439	2
	Spacer - Pinion Bearing	9.90mm/.390 inch	• 1244-V-2440	2
	Spacer - Pinion Bearing	10.00mm/.394 inch	• 1244-W-2441	2
	Spacer - Pinion Bearing	10.10mm/.398 inch	• 1244-X-2442	2
	Spacer - Pinion Bearing	10.20mm/.402 inch	• 1244-Y-2443	2
	Spacer - Pinion Bearing	10.23mm/.403 inch	• 1244-Z-2444	2
	Spacer - Pinion Bearing	10.25mm/.404 inch	• 1244-A-2445	2
	Spacer - Pinion Bearing	10.28mm/.405 inch	• 1244-B-2446	2
	Spacer - Pinion Bearing	10.30mm/.406 inch	• 1244-C-2447	2
11	Spacer - Inner Pinion Bearing	1244-F-2346	1	
12	Kit -Shims - Pinion Bearing	KIT 1647	1	
	Shim	.076mm/.003 inch	• 2203-F-2788	3
	Shim	.127mm/.005 inch	• 2203-G-2789	2
	Shim	.254mm/.010 inch	• 2203-H-2790	4
13	Bearing Cup - Inner Pinion	1228-Z-1716	1	
14	Bearing Cone - Inner Pinion	A-1228A1717	2	
15	Screw - Diff Adjusting Ring Lock	41X-1669	2	
16	Lock - Diff Adjusting Ring	1220-P-1108	4	

AMBOLD REAR

AMBOID TANDEM REAR — MAIN DIFF



Diff Components

ITEM	DESCRIPTION	PART NUMBER	QUANTITY
1	Adjusting Ring - Main Diff	2214-G-1255	2
2	Bearing Cup - Main Diff	1228-Q-1473	2
3	Bearing Cone - Main Diff	A1-1228-R-1474	2

Diff Case Assemblies

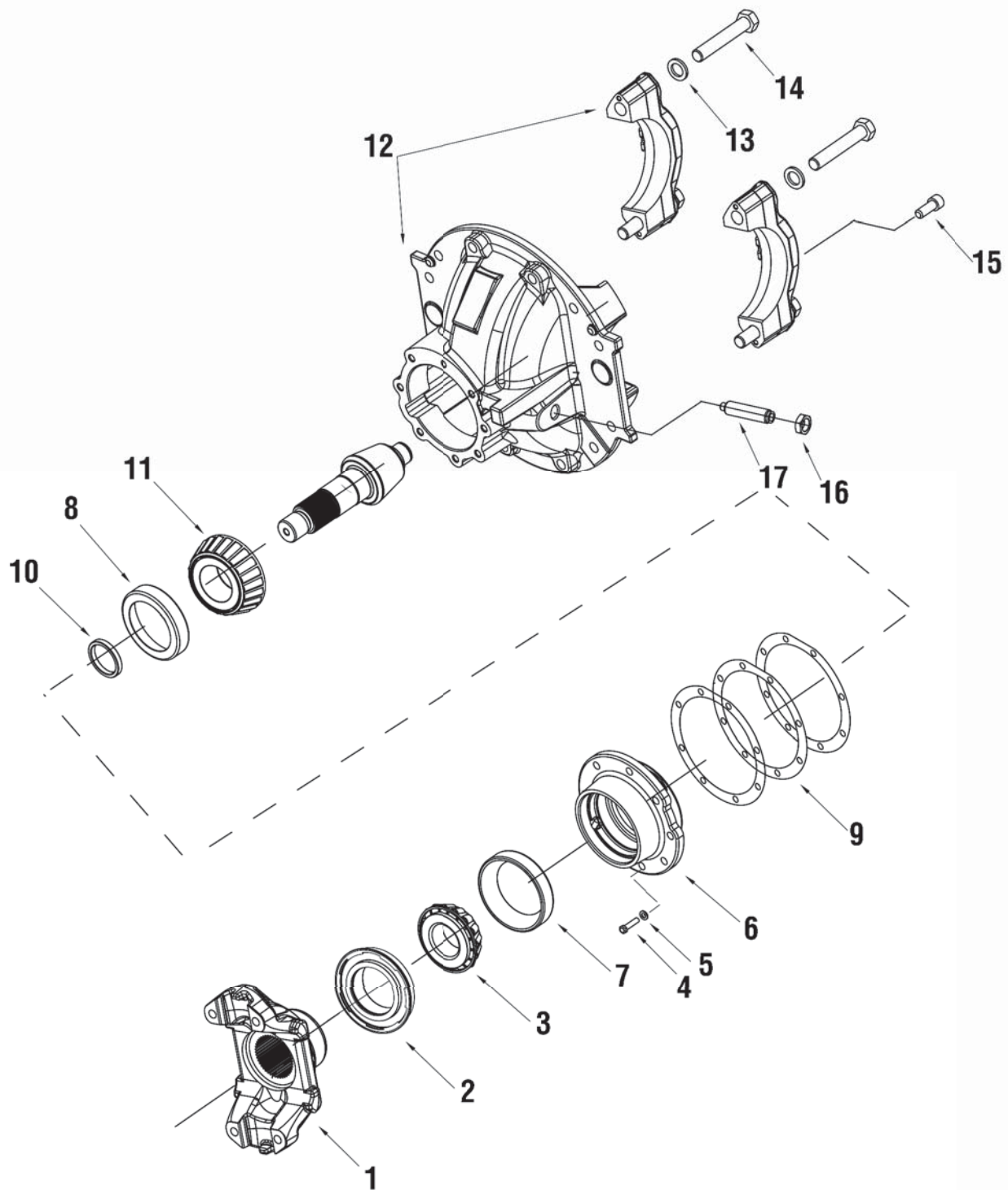
ITEM	DESCRIPTION	RATIOS	PART NUMBER	QUANTITY
4-12	Main Diff Assembly	2.47 - 2.64	A1-3235-A-2783	1
		3.08 - 3.36	A1-3235-C-2785	1
		3.42 - 4.11	A1-3235-E-2787	1
4-7	Diff Case Assembly	2.47 - 2.64	A-3235-A-2783	1
		3.08 - 3.36	A-3235-C-2785	
		3.42 - 4.11	A-3235-E-2787	
4	Diff Case - Plain Half	All	3235-J-2792	1
5	Diff Case - Flange Half	2.47 - 2.64	3235-A-2783	1
		3.08 - 3.36	3235-C-2785	
		3.42 - 4.11	3235-E-2787	
6-7	Kit -Diff Case Bolts	All	KIT 2819	1
6	Bolt - Diff Case		• 41X-1327	16
7	Washer - Diff Case		• 1229-D-4632	16

Main Diff Components

ITEM	DESCRIPTION	PART NUMBER	QUANTITY
8-12	Kit -Main Diff	KIT 4778	1
8	Thrust Washer - Main Diff Side Gear	• 1229-Q-5087	2
9	Side Gear - Main Diff	• 2234-G-1437	2
10	Thrust Washer - Main Diff Pinion	• 1229-R-1032	4
11	Spider - Main Diff	• 3278-S-305	1
12	Pinion Gears - Main Diff	• 2234-J-1024	4
13	Kit -Bolt Kit -Diff Case to Gear — 2.47 - 2.64	KIT 4779	1
13	Bolt	• 41X-1715	12
13-15	Kit -Bolt Kit -Diff Case to Gear — 3.08 - 4.11	KIT 2317	1
13	Bolt	• 41X-1216	12
14	Washer	• 1229-U-1503	12
15	Nut	• 40X-1182	12
16	Gear Set - See Gear Sets - Page 30		1
	Kit -Pinion Nut and Washer	KIT 2637	1
17	Pinion Washer	• 1229-T-1736	1
18	Pinion Nut	• 40X-1237	1

AMBOLD REAR

HYPOID REAR CARRIER AND BEARING CAGE

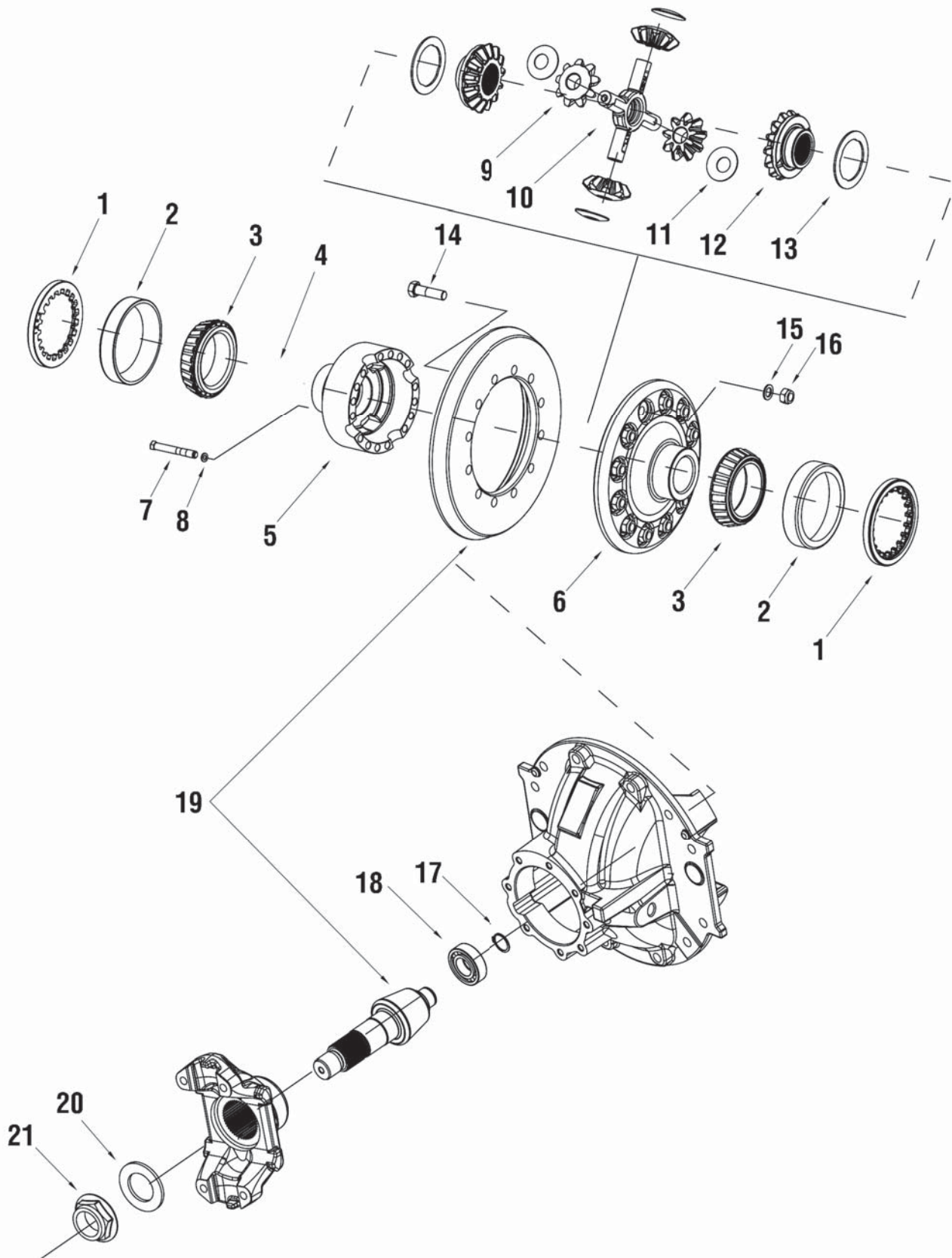


Hypoid Rear Carrier and Bearing Cage Components

ITEM	DESCRIPTION	REMARKS	PART NUMBER	QUANTITY
1	End Yoke	See Bill Of Material		1
2	Seal - Input Yoke		A1-1205-Z-2730	1
3	Bearing Cone - Pinion - Outer		A-1228-N-2068	1
4	Bolt - Bearing Cage		MS212045-1	1
5	Washer - Bearing Cage		1229-D-4632	1
6	Bearing Cage Assembly		A-3226-M-1053	1
7	Bearing Cup - Pinion - Outer		1228-U-645	1
8	Bearing Cup - Pinion - Inner		1228-F-604	1
9	Kit -Shim - Pinion Bearing Cage		KIT 2313	1
	Shim - Pinion Bearing Cage .075mm/.003"		• 2803-Q-2851	3
	Shim - Pinion Bearing Cage .125mm/.005"		• 2803-R-2852	2
	Shim - Pinion Bearing Cage .250mm/.010"		• 2803-S-2853	4
	Shim - Pinion Bearing Cage .500mm/.020"		• 2803-T-2854	1
10	Kit -Pinion Bearing Spacers	Use 2 As Req'd	KIT 2322	1
	Spacer - Pinion Bearing 8.75mm/.345"		• 2203-J-9474	2
	Spacer - Pinion Bearing 8.78mm/.346"		• 2203-K-9475	2
	Spacer - Pinion Bearing 8.80mm/.347"		• 2203-L-9476	2
	Spacer - Pinion Bearing 8.83mm/.348"		• 2203-M-9477	2
	Spacer - Pinion Bearing 8.85mm/.349"		• 2203-N-9478	2
	Spacer - Pinion Bearing 8.98mm/.354"		• 2203-P-9480	2
	Spacer - Pinion Bearing 9.10mm/.358"		• 2203-Q-9481	2
	Spacer - Pinion Bearing 9.13mm/.359"		• 2203-R-9482	2
	Spacer - Pinion Bearing 9.15mm/.360"		• 2203-S-9483	2
	Spacer - Pinion Bearing 9.18mm/.361"		• 2203-T-9484	2
	Spacer - Pinion Bearing 9.20mm/.362"		• 2203-U-9485	2
11	Bearing Cone - Pinion - Inner		A1-1228-G-605	1
12	Carrier And Cap	20K Less Diff Lock	A2-3200-L-1676	1
		20K With Diff Lock	A2-3200-A-8269	1
		22K Less Diff Lock	A2-3200-U-1919	1
		22K With Diff Lock	A2-3200-D-2266	1
13	Washer - Leg Cap		42X-1021	4
14	Bolt - Leg Cap		MS220120-1	4
15	Screw - Main Diff Adjusting Ring Lock		41X-1637	2
16	Jam Nut - Thrust Screw	22K Only	41X-1371	1
17	Thrust Screw	22K Only	40X-1016	1

HYPOID REAR

HYPOID REAR — MAIN DIFF



Diff Components

ITEM	DESCRIPTION	REMARKS	LESS DIFF LOCK	WITH DIFF LOCK	QUANTITY
1	Adjusting Ring - Main Diff	Right Hand - Plain Half	2214-C-1095	2214-Y-1039	1
		Left Hand - Flange Half	2214-C-1095		1
2	Bearing Cup	Right Hand - Plain Half	1228-L-1728	1228-F-1982	1
		Left Hand - Flange Half	1228-L-1728		1
3	Bearing Cone	Right Hand - Plain Half	A-1228-M-1729	A-1228-G-1983	1
		Left Hand - Flange Half	A-1228-M-1729		1
4	Clutch Collar - Not Shown	Diff Lock Only	3107-D-1018		1

HYPOID REAR

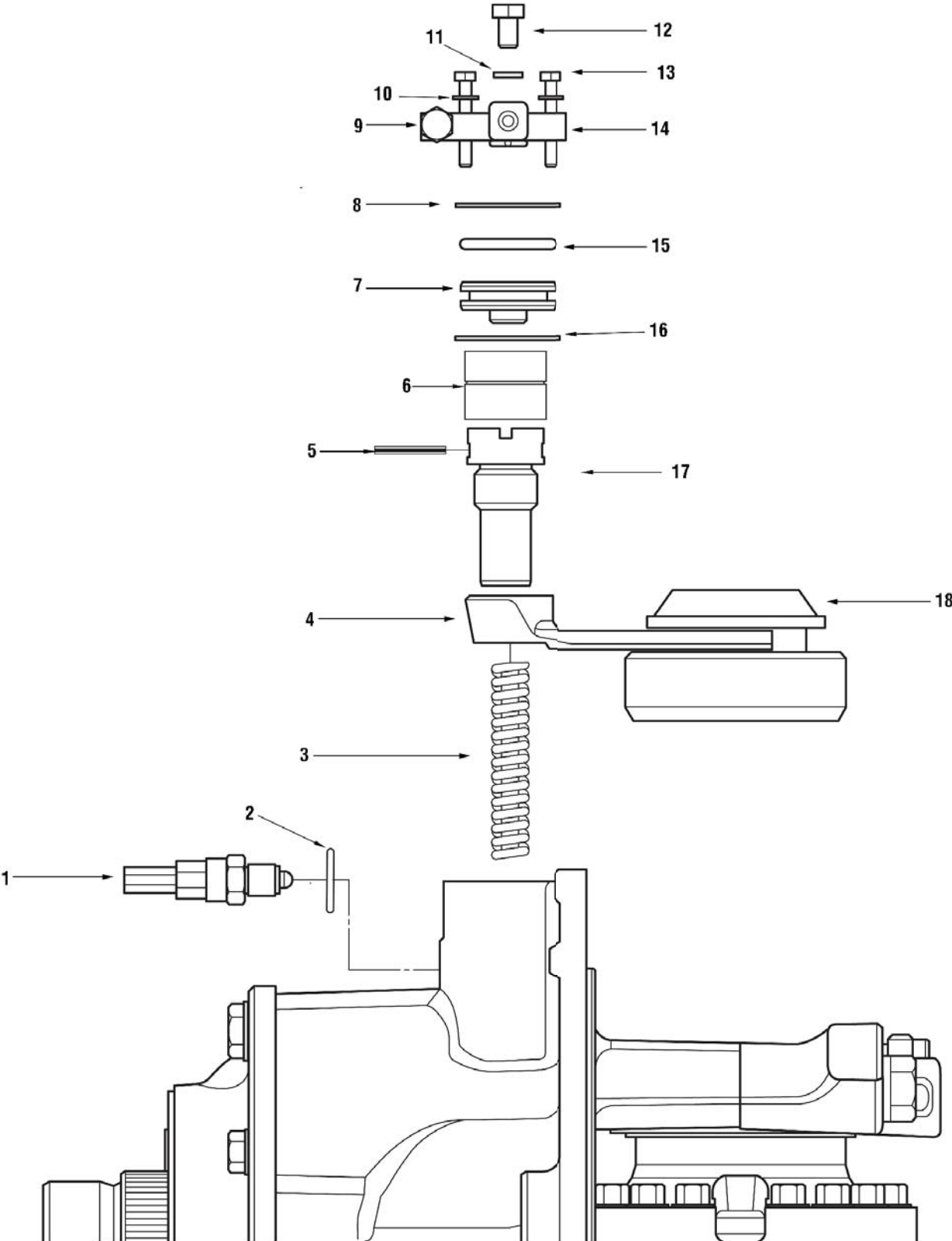
Diff Case Assemblies

ITEM	DESCRIPTION	RATIOS	LESS DIFF LOCK		WITH DIFF LOCK		QUANTITY
			20K	22K	20X	22K	
5-12	Main Diff Assembly — See Diff Cases Page 29						
5-8	Diff Case Assembly — See Diff Cases Page 29						
5	Diff Case - Plain Half	All	3235-J-2064	3235-U-2153	3235-T-1918	3235-V-2154	1
6	Diff Case - Flange Half	2.47 - 2.64	3235-V-1920		3235-V-1920		1
		3.08 - 3.36	3235-S-1839		3235-S-1839		
		3.42 - 4.11	3235-U-1841	3235-D-2188	3235-U-1841	3235-D-2188	
		4.33 - 7.17	3235-W-1843	3235-T-2152	3235-W-1843	3235-T-2152	
	Kit -Diff Case Bolts	All	KIT 2819				1
7	• Bolt - Diff Case		• 41X-1327				16
8	• Washer - Diff Case		• 1229-D-4632				16

Main Diff Components

ITEM	DESCRIPTION	17K	20K	22K	QUANTITY
	Kit -Main Diff	KIT 2389	KIT 2310	KIT 2696	1
9	• Pinion Gear - Main Diff	• 2233-J-1024	• 2233-J-1024	• 2233-X-1116	4
10	• Spider - Main Diff	• 3278-S-305	• 3278-S-305	• 3278-Y-1117F	1
11	• Thrust Washer - Main Diff Pinion	• 1229-R-1032	• 1229-R-1032	• 1229-R-1032	4
12	• Side Gear - Main Diff	• 2234-M-1469	• 2234-G-1437	• 2234-U-1451	2
13	• Thrust Washer - Main Diff Side Gear	• 1229-Q-5087	• 1229-Q-5087	• 1229-Q-5087	2
	Kit -Bolt Kit -Diff Case to Gear		KIT 2317		1
14	• Bolt - Diff Case to Gear		• 41X-1216		12
15	• Washer - Diff Case to Gear		• 1229-U-1503		12
16	• Nut - Diff Case to Gear		• 40X-1182		12
17	Snap Ring - Spigot Bearing		46X-1084		1
18	Spigot Bearing		1228-F-552		1
19-21	Gear Set		See Page 30		1
	• Kit -Pinion Nut And Washer		KIT 2637		1
20	• Washer - Pinion		• 1229-T-1736		1
21	• Nut - Pinion		• 40X-1237		1

HYPOID DRIVER CONTROLLED DIFF LOCK (DCDL) BOLT-ON DESIGN

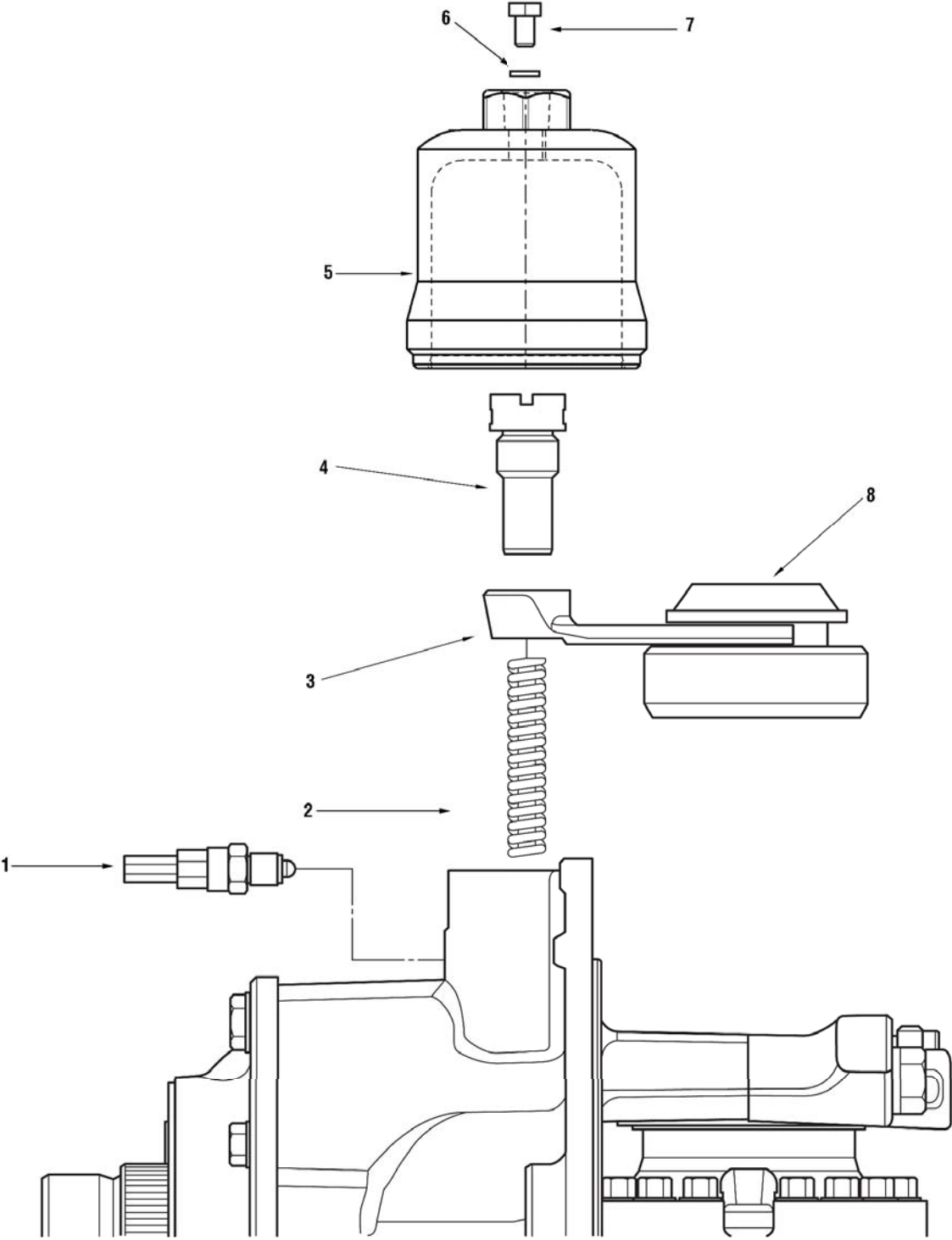


Hypoid Driver Controlled Diff Lock (DCDL) Components

ITEM	DESCRIPTION	PART NUMBER		QUANTITY
		2.00 - 39 DIFF SPLINE	2.10 - 41 DIFF SPLINE	
	Kit -Complete Diff Lock Components	KIT 4786	KIT 4785	1
1	Kit -Diff Lock Switch	KIT 4429	KIT 4429	1
	• Diff Lock Switch	• 3237-R-1292	• 3237-R-1292	1
	• Pigtail - Diff Lock Switch - Not Shown Separately	• 3237-X-1298	• 3237-X-1298	1
2	Washer	1229-U-1503	1229-U-1503	1
3	Spring	2258-L-714	2258-L-714	1
4	Shift Fork	3296-Z-1300	3296-Z-1300	1
5	Pin	43X-1006	43X-1006	1
6	Tube	3196-S-1137	3196-S-1137	1
7	Piston	2230-N-170	2230-N-170	1
8	Copper Gasket - Diff Lock Cover	2208-H-944	2208-H-944	1
9	Caging Bolt - Manual Engaging	41X-1333	41X-1333	1
10	Washer - Diff Lock Cover	MWA-506	MWA-506	4
11	O-Ring	2208-L-1000	2208L1000	1
12	Plug (Capscrew) - Inlet	MS210016-1	MS210016-1	1
13	Screw - Diff Lock Cover	MS206045-1	MS206045-1	4
14	Cover - Diff Lock	3266-F-1020	3266-F-1020	1
15	O-Ring - Diff Lock Piston	5X-1153	5X-1153	1
16	O-Ring - Tube	5X-1288	5X-1288	1
17	Push Rod	2244-Z-52	2244-Z-52	1
18	Clutch Collar	3107-H-1334	3107-D-1018	1

HYPOID REAR

HYPOID DRIVER CONTROLLED DIFF LOCK (DCDL) SCREW-IN DESIGN

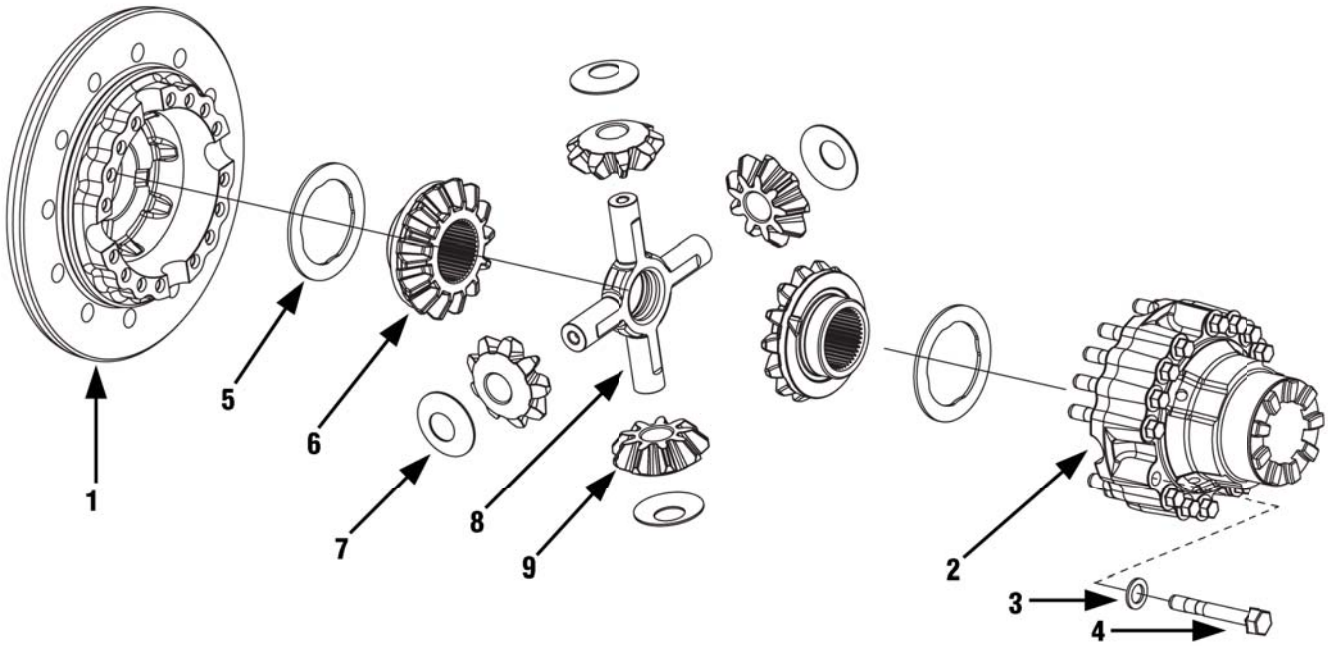


Hypoid Driver Controlled Diff Lock (DCDL) 22K Components

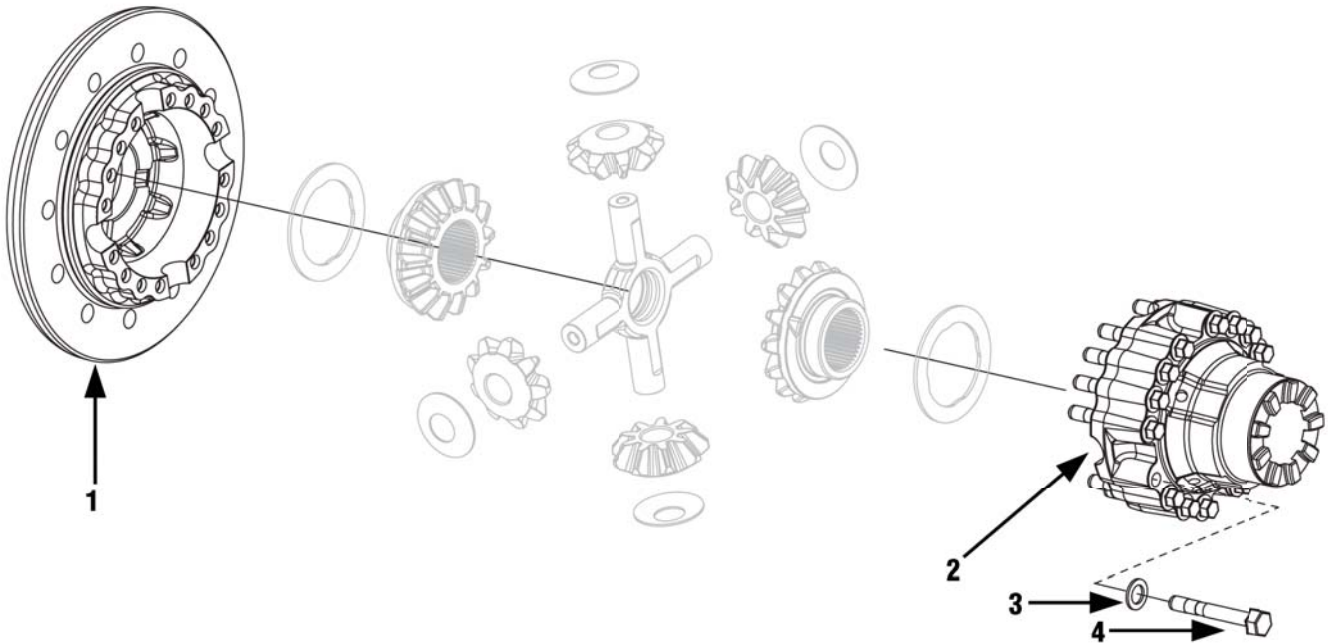
ITEM	DESCRIPTION	PART NUMBER	QUANTITY
	Kit -Complete Diff Lock Components	KIT 2662	1
1	<ul style="list-style-type: none"> Kit -Diff Lock Switch • Diff Lock Switch • Pigtail - Diff Lock Switch - Not Shown Separately 	<ul style="list-style-type: none"> KIT 4429 • 3237-R-1292 • 3237-X-1298 	<ul style="list-style-type: none"> 1 1 1
2	<ul style="list-style-type: none"> • Spring 	<ul style="list-style-type: none"> • 2258-N-1262 	1
3	<ul style="list-style-type: none"> • Shift Fork 	<ul style="list-style-type: none"> • 3296-Z-1170 	1
4, 5	<ul style="list-style-type: none"> Kit -Diff Lock Shift Cylinder 	<ul style="list-style-type: none"> • KIT 2824 	1
6	<ul style="list-style-type: none"> • O-Ring 	<ul style="list-style-type: none"> • 5X-521 	1
7	<ul style="list-style-type: none"> • Caging Bolt - Manual Engaging 	<ul style="list-style-type: none"> • 41X-1368 	1
8	<ul style="list-style-type: none"> • Clutch Collar 	<ul style="list-style-type: none"> • 3107-D-1018 	1

HYPOID REAR

MAIN DIFF AND DIFF CASE ASSEMBLIES



Main Diff Case - Items 1-8



Diff Case - Items 1-4

Main Diff and Diff Case Assembly Components

AXLE	DIFF SPLINE	RATIOS	MAIN DIFF ASSEMBLY		DIFF CASE ASSEMBLY	
			Includes Items 1-8		Includes Items 1-4	
			LESS DCDL	WITH DCDL	LESS DCDL	WITH DCDL
FORWARD TANDEM						
TANDEM FORWARD "R" WHEEL END	2.10-41	247-264	A1-3235-A-2783	A3-3235-A-2783	A-3235-A-2783	A-2-3235-A-2783
		308-336	A1-3235-C-2785	A3-3235-C-2785	A-3235-C-2785	A-2-3235-C-2785
		342-411	A1-3235-E-2787	A3-3235-E-2787	A-3235-E-2787	A-2-3235-E-2787
		433-717	A1-3235-G-2789	A3-3235-G-2789	A-3235-G-2789	A-2-3235-G-2789
TANDEM FORWARD (22K) "R" WHEEL END	2.10-41	390-411	A4-3235-E-2787	A5-3235-E-2787	A-3235-E-2787	A-2-3235-E-2787
		433-586	A4-3235-G-2789	A5-3235-G-2789	A-3235-G-2789	A-2-3235-G-2789
AMBROID REAR						
TANDEM REAR "R" WHEEL END	2.10-41	247-264	A1-3235-A-2783	NA*	A-3235-A-2783	NA*
		308-336	A1-3235-C-2785	NA*	A-3235-C-2785	NA*
		342-411	A1-3235-E-2787	NA*	A-3235-E-2787	NA*
HYPOID REAR						
SINGLE REAR ONLY "L" WHEEL END	2.00-39	247-264	A10-3235-V-1920	A5-3235-V-1920	A8-3235-V-1920	A-2-3235-V-1920
		308-336	A10-3235-S-1839	A5-3235-S-1839	A8-3235-S-1839	A-2-3235-S-1839
		342-411	A10-3235-U-1841	A5-3235-U-1841	A8-3235-U-1841	A-2-3235-U-1841
		433-717	A10-3235-W-1843	A5-3235-W-1843	A8-3235-W-1843	A-2-3235-W-1843
SINGLE OR TANDEM REAR "R" WHEEL END	2.10-41	247-264	A9-3235-V-1920	A3-3235-V-1920	A8-3235-V-1920	A-2-3235-V-1920
		308-336	A9-3235-S-1839	A3-3235-S-1839	A8-3235-S-1839	A-2-3235-S-1839
		342-411	A9-3235-U-1841	A3-3235-U-1841	A8-3235-U-1841	A-2-3235-U-1841
		433-717	A9-3235-W-1843	A3-3235-W-1843	A8-3235-W-1843	A-2-3235-W-1843
TANDEM REAR (22K) "R" WHEEL END	2.10-41	390-411	A10-3235-D-2188	A11-3235-D-2188	A-3235-D-2188	A-2-3235-D-2188
		433-586	A10-3235-T-2152	A11-3235-T-2152	A-3235-T-2182	A-2-3235-T-2152

MAIN DIFF

*NA = Not Applicable — Diff Lock option not offered in Ambroid Rear.

GEAR SETS

RATIO	FORWARD	AMBOID REAR	HYPOID REAR
247	B-43498-1F-247	B-43498-1R-247	
264	B-43500-1F-264	B-43500-1R-264	B-41716-1R-264
308	A-42200-1F-308	A-42200-1R-308	A-43608-1R-308
325	A-43502-1F-325	A-43502-1R-325	A-43610-1R-325
336	A-42202-1F-336	A-42202-1R-336	A-43612-1R-336
342	A-43752-1F-342	A-43752-1R-342	A-41164-1R-342
355	A-42204-1F-355	A-42204-1R-355	A-43614-1R-355
370	B-42206-1F-370	A-42206-1R-370	B-43616-1R-370
390	B-42180-1F-390	A-42180-1R-390	B-41684-1R-390
411	B-42128-1F-411	A-42128-1R-411	B-41686-1R-411
433	B-41278-1F-433		B-41266-1R-433
463	B-41280-1F-463		B-41268-1R-463
488	B-41282-1F-488		B-41270-1R-488
513			A-41272-1R-513
529	B-41284-1F-529		B-41274-1R-529
557			A-41304-1R-557
586	B-41466-1F-586		B-41456-1R-586
614	A-41468-1F-614		A-41458-1R-614
643	A-41470-1F-643		A-41460-1R-643
683	A-41472-1F-683		A-41462-1R-683
717	A-41474-1F-717		B-43426-1R-717

SERVICE KITS

DESCRIPTION	FORWARD	AMBOID REAR	HYPOID REAR
Seal And Bearing Kits	KIT 4841	KIT 4842	KIT 4843
Diff Lock			KIT 4844
"L" Wheel End			KIT 2389
Main Diff KIT	"R" Wheel End KIT 4778	KIT 4778	KIT 2310
"R" Wheel End (22K)	KIT 4809		KIT 2696
Diff Lock (DCDL)	KIT 4782		KIT 4785
"L" Wheel End			KIT 4786
Screw-In Design			KIT 2662
Diff Lock Switch	KIT 4429		KIT 4429
Diff Case Bolts	KIT 2819		
Gear to Case Bolts	KIT 2317 (3.08 - 7.17) KIT 4779 (2.47 - 2.64)	KIT 2317 (3.08 - 4.11) KIT 4779 (2.47 - 2.64)	KIT 2317 (2.64 - 7.17) KIT 2317 (2.64 - 7.17)
IAD O-Rings	KIT 2917		
IAD KIT	A-3235-A-2779		
Diff Lock	A1-3235-A-2779		
Input Shaft - Nut & Washer	KIT 2826		
Pinion - Nut & Washer	KIT 2638	KIT 2637	
Shims - Pinion Bearing	KIT 1647		KIT 2313
Spacers - Pinion Bearing	KIT 2396	KIT 2541	KIT 2322
Thru Shaft	A17-3226-T-1112K		
Thru Shaft Snap Rings	KIT 576		

SERVICE KITS BILL OF MATERIALS

PART NUMBER	DESCRIPTION	QUANTITY	PART NUMBER	DESCRIPTION	QUANTITY
A-3235-W-2779	IAD Less Pump		KIT 2317	Gear to Case Bolts	
2233-P-1030	Pinion Gear - IAD	4	41-X1216	Bolt - Gear to Case	12
3278-J-1206	Spider - IAD	1	1229-U-1503	Washer - Gear to Case	12
3235-W-2779	IAD Case	1	40-X-1182	Nut - Gear to Case	12
A1-3235-W-2779	IAD With Pump		KIT 2322	Pinion Bearing Spacers	
2233-P-1030	Pinion Gear - IAD	4	2203-J-9474	Spacer - .345	2
3278-K-1207	Spider - IAD	1	2203-K-9475	Spacer - .346	2
3235-W-2779	IAD Case	1	2203-L-9476	Spacer - .347	2
A17-3226-T-1112K	Thru Shaft		2203-M-9477	Spacer - .348	2
A1-1205-Y-2729	Oil Seal	1	2203-N-9478	Spacer - .349	2
3226-T-1112	Bearing Cage	1	2203-P-9480	Spacer - .354	2
1228-K-1545	Bearing Cup	2	2203-Q-9481	Spacer - .358	2
3297-M-1599	Thru Shaft	1	2203-R-9482	Spacer - .359	2
A-1228-L-1546	Bearing Cone	2	2203-S-9483	Spacer - .360	2
KIT 576	Kit -Snap Ring	1	2203-T-9484	Spacer - .361	2
1229-P-2590	Snap Ring - .155	1	2203-U-9485	Spacer - .362	2
1229-Q-2591	Snap Ring - .158	1	KIT 2389	Diff Kit -2.00-39 Spline	
1229-R-2592	Snap Ring - .161	1	2234-M-1469	Side Gear	2
1229-S-2593	Snap Ring - .164	1	3278-S-305	Spider	1
1229-U-2595	Snap Ring - .167	4	2233-J-1024	Pinion Gear	4
1229-V-2596	Snap Ring - .170	4	1229-Q-5087	Thrust Washer - Side Gear	2
1229-W-2597	Snap Ring - .173	1	1229-R-1032	Thrust Washer - Pinion	4
1229-X-2598	Snap Ring - .176	1	KIT 2396	Pinion Bearings Spacers	
1229-Y-2599	Snap Ring - .179	1	2203-D-9806	Spacer - .209	2
1229-T-2594	Snap Ring - .182	1	2203-E-9807	Spacer - .210	2
1229-W-4131	Snap Ring	1	2203-F-9808	Spacer - .211	2
1229-T-1736	Washer	1	2203-G-9809	Spacer - .212	2
40-X-1237	Nut	1	2203-H-9810	Spacer - .213	2
KIT 1647	Pinion Bearing Shims		2203-J-9812	Spacer - .217	2
2203-F-2788	Shim - .003	3	2203-K-9813	Spacer - .220	2
2203-G-2789	Shim - .005	2	2203-L-9814	Spacer - .224	2
2203-H-2790	Shim - .010	4	2203-M-9815	Spacer - .228	2
KIT 2310	Diff Kit -2.10-41 Spline		2203-N-9816	Spacer - .232	2
2234-G-1437	Side Gear	2	2203-P-9818	Spacer - .236	2
3278-S-305	Spider	1	2203-Q-9819	Spacer - .240	2
2233-J-1024	Pinion Gear	4	2203-R-9820	Spacer - .241	2
1229-Q-5087	Thrust Washer - Side Gear	2	2203-S-9821	Spacer - .242	2
1229-R-1032	Thrust Washer - Pinion	4	2203-T-9822	Spacer - .243	2
KIT 2313	Pinion Bearing Shims		2203-U-9823	Spacer - .244	2
2803-Q-2851	Shim - .003	3			
2803-R-2852	Shim - .005	2			
2803-S-2853	Shim - .010	4			
2803-T-2854	Shim - .020	1			

GEAR SETS

SERVICE KITS BILL OF MATERIALS

PART NUMBER	DESCRIPTION	QUANTITY	PART NUMBER	DESCRIPTION	QUANTITY
KIT 2541	Pinion Bearing Spacers		KIT 2819	Diff Case Bolts	
1244-M-2431	Spacer - .370	2	2297-F-6324	Loctite - Diff Case	1
1244-N-2432	Spacer - .371	2	41-X-1327	Bolt - Diff Case	16
1244-P-2434	Spacer - .372	2	1229-D-4632	Washer - Diff Case	16
1244-Q-2435	Spacer - .373	2	KIT 2826	Input Shaft Nut & Washer	
1244-R-2436	Spacer - .374	2	40-X-1233	Nut - Input Yoke	1
1244-S-2437	Spacer - .378	2	1229-N-1730	Washer - Input Yoke	1
1244-T-2438	Spacer - .382	2	KIT 2917	IAD O-Rings	
1244-U-2439	Spacer - .386	2	5X-1153	O-Ring - IAD Shift Piston	1
1244-V-2440	Spacer - .390	2	5-X-1368	O-Ring - Carrier IAD Bore	1
1244-W-2441	Spacer - .394	2	5-X-1414	O-Ring - Carrier IAD Bore	1
1244-X-2442	Spacer - .398	2	KIT 4429	Diff Lock Switch	
1244-Y-2443	Spacer - .402	2	3237-R-1292	Switch	1
1244-Z-2444	Spacer - .403	2	3237-X-1298	Pigtail	1
1244-A-2445	Spacer - .404	2	KIT 4778	Diff Kit -2.10-41 Spline	
1244-B-2446	Spacer - .405	2	1229-Q-5087	Thrust Washer - Side Gear	2
1244-C-2447	Spacer - .406	2	2234-G-1437	Side Gear	2
KIT 2637	Pinion Nut And Washer		1229-R-1032	Thrust Washer - Pinion Gear	4
40-X-1237	Nut	1	3278-S-305	Spider	1
1229-T-1736	Washer	1	2233-J-1024	Pinion Gear	4
KIT 2638	Pinion Nut And Washer		KIT 4779	Gear to Case Bolts	
40-X-1233	Nut - Input Yoke	1	41-X-1715	Bolt - Gear to Case	12
1229-W-4521	Washer - Input Yoke	1	KIT 4782	Diff Lock - Forward Rear	
KIT 2662	Diff Lock - Screw-In Design		KIT 4429	Kit -Diff Lock Switch	1
3107-D-1018	Clutch Collar	1	3237-R-1292	Switch	1
A-3261-A-1067	Shift Cylinder	1	3237-X-1298	Pigtail	1
2244-Z-1222	Push Rod	1	2803-A-3641	Shim	3
3296-Z-1170	Shift Fork	1	2258-N-1262	Spring	1
KIT 4429	Diff Lock Switch	1	3296-C-1381	Shift Fork	1
3237-R-1292	Switch	1	2230-Y-1377	Piston	1
3237-X-1298	Wire Harness	1	2208-Q-1005	Gasket - Lock Cover	1
2258-N-1262	Spring	1	41-X-1368	Screw - Manual Engaging	1
2257-M-1235	Clip	1	5-X-521	O-Ring - Manual Engaging Screw	1
5-X-521	O-Ring	1	41-X-1742	Plug (Capscrew) - Cylinder Cover	1
41-X-1368	Caging Bolt	1	41-X-1669	Screw - Diff Lock Cover	4
KIT 2696	Diff Kit -2.10-41 Spline (22K)		MWA-506	Washer - Diff Lock Cover	4
2234-U-1451	Thrust Washer - Side Gear	2	3266-X-1610	Cover	1
3278-Y-1117	Side Gear	2	5X-1153	O-Ring - Piston	1
2233-X-1116	Thrust Washer - Pinion	4	2244-Z-1274	Push Rod	1
1229-Q-5087	Spider	1	3107-U-1321	Clutch Collar	1
1229-R-1032	Pinion Gear	4			

SERVICE KITS BILL OF MATERIALS

PART NUMBER	DESCRIPTION	QUANTITY	PART NUMBER	DESCRIPTION	QUANTITY
KIT 4785	Diff Lock Kit - 2.10-41 Spline		KIT 4809	Diff Kit - 2.10-41 Spline	
3296-Z-1300	Shift Fork	1	1229-Q-5087	Thrust Washer - Side Gear	2
3107-D-1018	Clutch Collar	1	2234-U-1451	Side Gear	2
2244-Z- 52	Shift Shaft	1	1229-R-1032	Thrust Washer - Diff Pinion	4
43-X-1006	Pin - Shift Shaft	1	3278-Y-1117F	Spider	1
2258-L-714	Spring	1	2233-X-1116	Pinion Gear	4
3196-S-1137	Tube - Air Cylinder	1	KIT 4841	Bearing Kit - Forward Rear	
5-X-1288	O-Ring - Tube	1	A1-1205-X-2728	Oil Seal - Input	1
2230-N-170	Piston	1	1228-U-1217	Bearing Cup - Input - Outer	1
5X-1153	O-Ring - Piston	1	A-1228-W-1713	Bearing Cone - Input - Outer	1
2208-H-944	Gasket	1	1228-G-1723	Needle Bearing - Input Shaft	2
3266-F-1020	Cover	1	1228-F-1722	Thrust Bearing - Input Shaft	1
1779-F-344	Shipping Plug	1	A-1228-P-1940	Bearing Cone - Input Side Gear	1
MWA-506	Washer	4	1228-N-1938	Bearing Cup - Input Side Gear	1
MS206045-1	Capscrew	4	A1-1228-G-605	Bearing Cone - Pinion - Outer	1
2208-L-1000	O-Ring - Inlet Plug	1	1228-F-604	Bearing Cup - Pinion - Outer	1
MS210016-1	Plug(Capscrew) - Inlet	1	1228-Z-1716	Bearing Cup - Pinion - Inner	1
41-X-1333	Caging Bolt	1	A-1228-A-1717	Bearing Cone - Pinion - Inner	1
KIT 4429	Diff Lock Switch	1	1228-Q-1473	Bearing Cup - Main Diff	2
3237-R-1292	Switch	1	A-1228-R-1474	Bearing Cone - Main Diff	2
3237-X-1298	Wire Harness	1	KIT 4842	Bearing Kit - Amboid Rear	
1229-U-1503	Washer	2	A1-1205-Z-2730	Oil Seal - Input	1
KIT 4786	Diff Lock Kit - 2.00-39 Spline		A1-1228-G-605	Bearing Cone - Pinion - Outer	1
3296-Z-1300	Shift Fork	1	1228-F-604	Bearing Cup - Pinion - Outer	1
3107-H-1334	Clutch Collar	1	1228-Z-1716	Bearing Cup - Pinion - Inner	1
2244-Z- 52	Shift Shaft	1	A-1228-A-1717	Bearing Cone - Pinion - Inner	1
43-X-1006	Pin - Shift Shaft	1	1228-Q-1473	Bearing Cup - Main Diff	2
2258-L-714	Spring	1	A-1228-R-1474	Bearing Cone - Main Diff	2
3196-S-1137	Tube - Air Cylinder	1	KIT 4843	Bearing Kit - Hypoid Rear Less DCDL	
5-X-1288	O-Ring - Tube	1	1228-F-604	Bearing Cup - Pinion - Inner	1
2230-N-170	Piston	1	A1-1228-G-605	Bearing Cone - Pinion - Inner	1
5X-1153	O-Ring - Piston	1	1228-L-1728	Bearing Cup - Main Diff	2
2208-H-944	Gasket	1	A-1228-M-1729	Bearing Cone - Main Diff	2
3266-F-1020	Cover	1	1228-U-645	Bearing Cup - Pinion - Outer	1
1779-F-344	Shipping Plug	1	A-1228-N-2068	Bearing Cone - Pinion - Outer	1
MWA-506	Washer	4	1228-F-552	Spigot Bearing	1
MS206045-1	Capscrew	4	A1-1205-Z-2730	Oil Seal	1
2208-L-1000	O-Ring - Inlet Plug	1			
MS210016-1	Plug(Capscrew) - Inlet	1			
41-X-1333	Caging Bolt	1			
KIT 4429	Diff Lock Switch	1			
3237-R-1292	Switch	1			
3237-X-1298	Wire Harness	1			
1229-U-1503	Washer	2			

SERVICE KITS

SERVICE KITS BILL OF MATERIALS

PART NUMBER	DESCRIPTION	QUANTITY
KIT 4844	Bearing Kit -Hypoid Rear - DCDL	
1228-F-604	Bearing Cup - Pinion - Inner	1
A1-1228-G-605	Bearing Cone - Pinion - Inner	1
1228-L-1728	Bearing Cup - Main Diff LH	1
A-1228-M-1729	Bearing Cone - Main Diff LH	1
1228-U-645	Bearing Cup - Pinion - Outer	1
A-1228-N-2068	Bearing Cone - Pinion - Outer	1
1228-F-1982	Bearing Cup - Main Diff RH	1
A-1228-G-1983	Bearing Cone - Main Diff RH	1
1228-F-552	Spigot Bearing	1
A1-1205-Z-2730	Oil Seal	1
KIT 576	Snap Rings - Thru Shaft	
1229-P-2590	Snap Ring - .155	1
1229-Q-2591	Snap Ring - .158	1
1229-R-2592	Snap Ring - .161	1
1229-S-2593	Snap Ring - .164	1
1229-U-2595	Snap Ring - .167	1
1229-V-2596	Snap Ring - .170	1
1229-W-2597	Snap Ring - .173	1
1229-X-2598	Snap Ring - .176	1
1229-Y-2599	Snap Ring - .179	1
1229-T-2594	Snap Ring - .182	1

SERVICE CARRIERS — REMAN

GAWR	PART NUMBER	TANDEM FORWARD		TANDEM REAR AMBOID	TANDEM/SINGLE REAR HYPOID		
		20,000	22,000	20,000	17,000	20,000	22,000
Axle Spline		2.10-41	2.10-41	2.10-41	2.00-39	2.10-41	2.10-41
"Less Diff Lock Less Pump"	Reman (Add Ratio)	MD2014X	MD2214X	MR2014X	MR1714XH	MR2014XH	MR2214XH
	BOM ¹	A-3200-K-2221	A-3200-C-2239	A-3200-G-2217	B7-3200-L-1676	B4-3200-L-1676	B68-3200-U-1919
	Casting ²	3200-J-2220		3200-F-2216	3200-K-1675		

Diff Lock Only	Reman (Add Ratio)	MDL2014X	MDL2214X
	BOM	A-3200-N-2224	A-3200-D-2240
	Casting	3200-M-2223	

	MRL1714XH	MRL2014XH	MRL2214XH
	A21-3200-A-8269	A20-3200-A-8269	A1-3200-D-2266
	3200-Z-8268		

Pump Only	Reman (Add Ratio)	MP2014X	MP2214X
	BOM	A1-3200-K-2221	A1-3200-C-2239
	Casting	3200-J-2220	

Diff Lock And Pump	Reman (Add Ratio)	MPL2014X	MPL2214X
	BOM	A1-3200-N-2224	A1-3200-D-2240
	Casting	3200-M-2223	

1 For Reference Only - New part number less ratio from axle BOM

2 For Reference Only - Carrier and cap casting number

SERVICE CARRIERS SOLD AS REMAN ONLY WITH CORE CHARGE




Add ratio for service reman part number
Example: MD2014X 355

SERVICE KITS

Available Ratios	TANDEM FORWARD		TANDEM REAR AMBOID	TANDEM/SINGLE REAR HYPOID		
	20,000	22,000	20,000	17,000	20,000	22,000
2.47	X		X			
2.64	X		X	X	X	
3.08	X		X	X	X	
3.25	X		X	X	X	
3.36	X		X	X	X	
3.55	X		X	X	X	
3.70	X		X	X	X	
3.90	X	X	X	X	X	X
4.11	X	X	X	X	X	X
4.33	X	X		X	X	X
4.63	X	X		X	X	X
4.88	X	X		X	X	X
5.13					X	
5.29	X	X		X	X	X
5.57					X	
5.86	X	X		X	X	X
6.14	X			X	X	
6.43	X			X	X	
6.83	X			X	X	
7.17	X			X	X	

For technical publications visit Literature on Demand @ meritor.com



-  Yoke Installation Tool Instructions (TP10164)
-  Tools for Servicing Meritor MT-14X Series Differential Carriers (TP1202)
-  Input Adjusting Ring Leak Repair Procedure (TP1214)

MERITOR AFTERMARKET PARTS WARRANTY

We warrant all new parts for one year from date of shipment to the buyer against defective material or workmanship (but not against damage caused by accident, abuse or improper installation, maintenance or repair) when such parts are used on vehicles the specifications of which have been approved by our Engineering Department.

As the exclusive remedy under this warranty, we will, at our option, repair or replace such parts free of charge, or take back the nonconforming parts and refund the monies paid by buyer for such parts, if found on examination by us to be nonconforming and if any necessary return charges are prepaid.

If it is necessary to return any parts under this warranty, buyer agrees not to make any deduction on account thereof from remittances on current accounts while claims are in the process of disposition. Any expense incurred without our consent for repairs or replacement will not be allowed.

THIS WARRANTY IS EXPRESSLY IN LIEU OF ALL OTHER WARRANTIES OR CONDITIONS, EXPRESS, IMPLIED OR STATUTORY, INCLUDING ANY IMPLIED WARRANTY OF MERCHANTABILITY OR FITNESS FOR PARTICULAR PURPOSE. IN NO EVENT SHALL SELLER BE LIABLE FOR INCIDENTAL OR CONSEQUENTIAL DAMAGES OF ANY NATURE.

Only genuine Meritor replacement parts are covered by this aftermarket parts warranty.

Vehicle models, brands and names depicted herein are the property of their respective owners, and are not in any way associated with Meritor, Inc., or its affiliates.



Meritor Heavy Vehicle Systems, LLC
7975 Dixie Highway
Florence, KY 41024 USA

888-7259-9355 U.S.
800-387-3889 Canada
MeritorPartsOnline
meritor.com

©2013 Meritor, Inc.
Litho in USA, PB-1218
Revised 12-13 (FLOA)